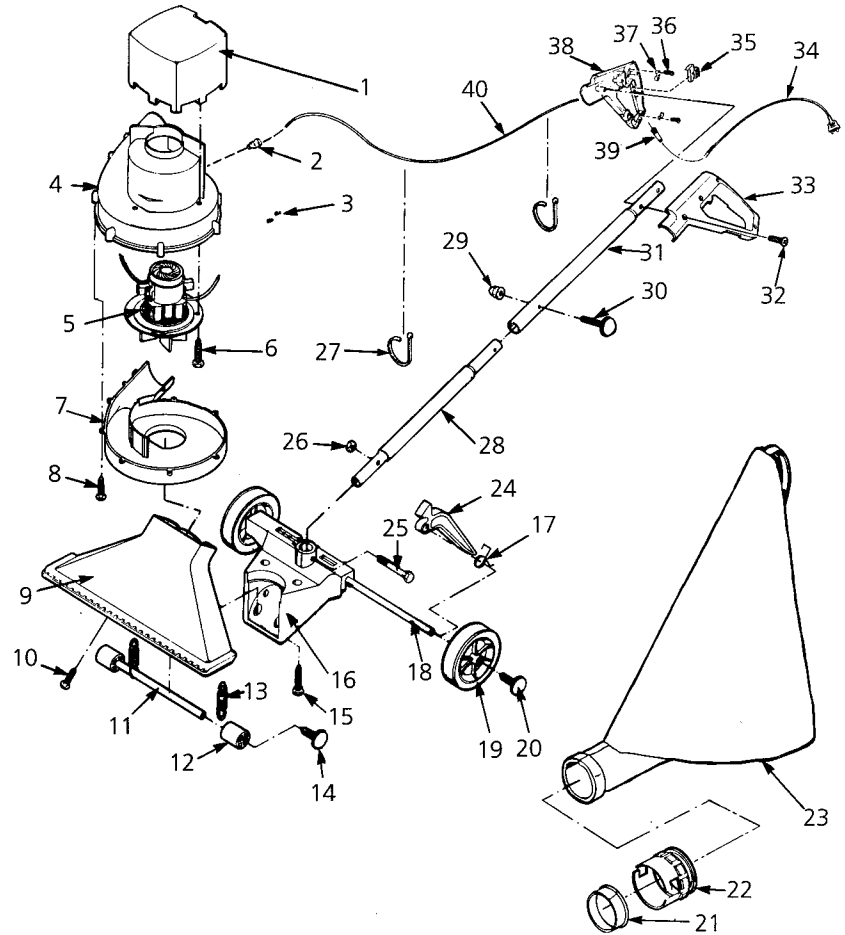
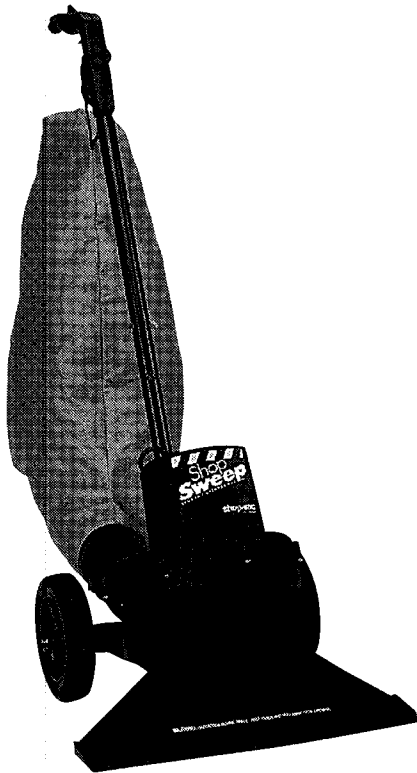


**shop.vac®****Model 405EDI****Catalog 405-00-10**

ITEM	DESCRIPTION	PART NO.
1	Motor Cover	82905-04-3
2	Strain Relief Bushing	34004-99-4
3	Wire Nut	05001-99-5
4	Blower HSG - Upper	82901-02-6
5	Motor	13431-97-8
6	1/4 x 1/4" Screw HH AB	*
7	Blower HSG - Lower	82902-00-8
8	10 x 3/4" Screw PH Pan	*
9	Nozzle	82903-20-4
10	10 x 3/4" Screw PH Pan	*
11	Axle 11.60 LG	32725-03-8
12	Roller	82919-00-2
13	Spring	82918-00-4
14	Wheel Retainer	32726-00-2
15	1/4 x 1/4" Screw HH AB	*
16	Carrier	82904-00-4
17	Spring for Kickstand	82997-00-8
18	Axle	32725-06-1
19	Wheel - 7" (17.78 cm)	82989-00-5
20	Wheel Retainer	32726-00-2
21	Gasket	82975-01-2

ITEM	DESCRIPTION	PART NO.
22	Connector for Bag	82977-00-0
23	Collection Filter Bag	82909-28-4
24	Kickstand	82996-00-0
25	1/4 - 20 x 1 1/2 HH Mach. Screw	*
26	1/4 - 20 Hex Nut	*
27	Wire Tie	00422-02-2
28	Handle - Lower	82926-01-5
29	1/4 - 20 Acorn Nut	*
30	Carriage Bolt	*
31	Handle - Upper	82916-00-8
32	8 x 3/4" PH Pan Hd AB	*
33	Grip Half-Left	82986-00-1
34	Power Cord	04519-96-3
35	Switch	12100-22-8
36	6 x 3/4" PH Pan Hd AB	*
37	Cord Clamp	00498-00-62
38	Grip Half - Right	82985-00-3
39	Cord Protector	12226-00-7
40	Intermediate Cord	04520-96-1

\*Standard hardware item; purchase locally.

**800-353-9991 E-Mail SALES@Vacshopusa.COM**