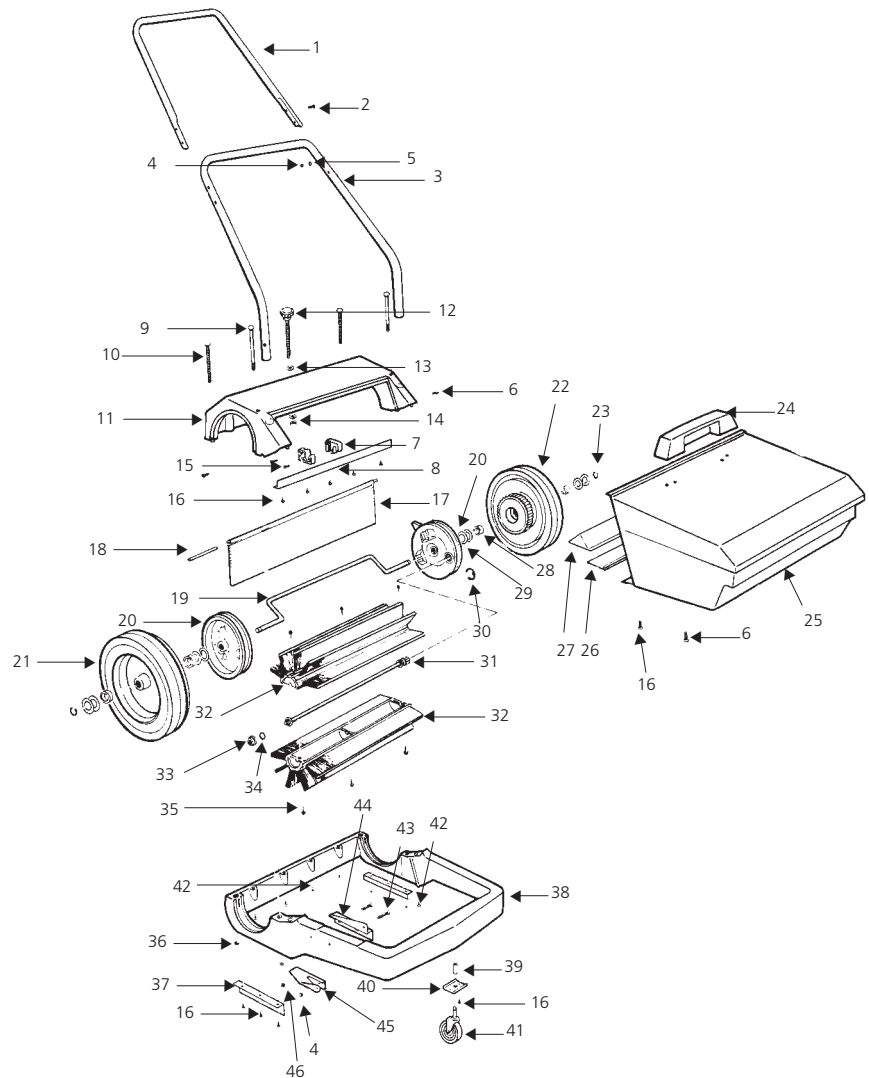


Model 305A



ITEM	DESCRIPTION	PART NO.
1	Upper Handle	35127-01-8
2	1/4" - 20 x 1 1/4" Slotted truss head screw	*
3	Lower handle	35126-01-0
4	1/4" - 20 Hex nut	*
5	1/4", Internal tool lockwasher	*
6	1/4" x 1" Slotted truss head screw (type BT)	*
7	Height adjustment nut (half)	35102-00-3
8	Seal - hopper	35118-01-7
9	5/16" - 18 x 4 1/2" Round head bolt	*
10	5/16" - 18 x 5 1/2" Round head bolt (square neck)	*
11	Rear housing	35101-00-5
12	Main broom adjustment knob	35132-96-8
13	3/8" Flatwasher	*
14	Set screw collar	35142-00-9
15	#10 x 1" Slotted hex head screw (type BF)	*
16	#10 x 3/4" Phillips pan head screw (type AB)	*
17	Rear floor seal	35164-00-3
18	Rear seal support rod	35157-00-7
19	Axle	35145-00-2
20	Pivot hub	35116-00-3
21	Wheel and bearing assembly includes 1 wheel (35128-01-6) and 2 bearings (35109-00-8)	35158-96-3
22	Wheel and clutch assembly	35159-96-1
23	Retaining ring	36009-99-1
24	Hopper handle	35114-00-8
25	Hopper	35161-97-5
26	Floor blade	35121-00-3
27	Floor blade retainer	35113-00-0
28	Wheel bearing	35109-00-8
29	1/2", Flatwasher	*
30	External E-ring	36010-99-9
31	Brush shaft assembly	35154-96-3
32	Main broom (half)	35144-00-5
33	Bearing	35131-00-2
34	O-ring	35139-00-5
35	1 3/4" x #10 Phillips pan head screw (Type A)	*
36	Serrated hex flange nut, 5/16"	12584-00-9
37	Floor seal (sides)	35118-00-9
38	Main frame	35100-00-7
39	Caster socket	35108-00-0
40	Caster support	35100-00-7
41	Caster	67728-00-6
42	1/4 x 1 1/2" Hex head screw (type AB)	*
43	1/4" - 20 x 1 3/4" Round head bolt (square neck)	*
44	Inner sidearm mounting bracket	35124-00-7
45	Outer sidearm mounting bracket	35123-00-9
46	Lockwasher	*



Sorry, we do not have any phone support. If you need price and availability on one or these parts please e-mail us at sales@vacshopusa.com

Standard Accessories:

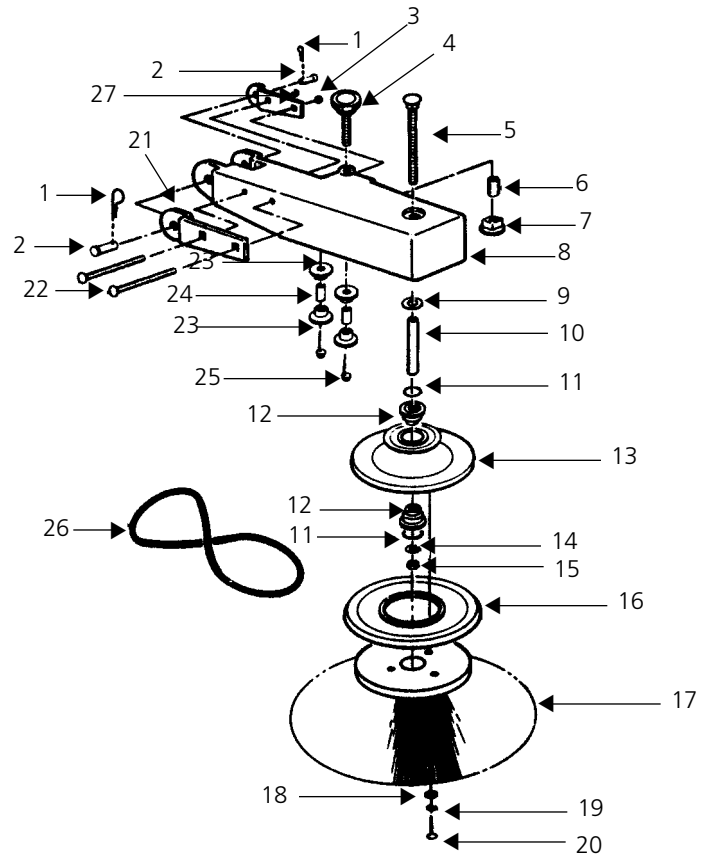
- Wide 19" (48.26 cm) Main broom
- 13" Diameter (33.02 cm) Side broom
- 8 Gallon (30.28 liters) Large capacity hopper

(*) Standard hardware item, available locally.



ITEM	DESCRIPTION	PART NO.
1	Hairpin	07002-99-3
2	Clevis pin	35133-00-8
3	1/4" - 20 hex nut	*
4	Stop adjustment knob	35134-00-6
5	3/8" - 16 x 4" Round head bolt, (square neck)	*
6	3/8" Threaded insert	73001-99-2
7	Stop adjustment foot	35103-00-1
8	Side broom arm	35111-00-4
9	1/2" Flat washer	*
10	Side broom shaft	35129-00-6
11	O-ring	35139-00-5
12	Bearing	35131-00-2
13	Side broom cover	35104-00-9
14	3/8" Lockwasher	*
15	3/8" - 16 Hex nut	*
16	Side broom bumper	35105-00-6
17	Side broom	35117-00-1
18	1/4" Flatwasher	*
19	1/4" Lockwasher	*
20	1/4 x 1" Slotted pan head screw (type AB)	*
21	Sidearm bracket	35122-00-1
22	1/4 - 20 x 3" Round head square neck bolt	*
23	Belt guide	35107-00-2
24	Spacer	11017-99-3
25	1/4 x 1 1/2" Hex head screw (type AB)	*
26	Belt	35140-00-3

(* Standard hardware item, available locally.



Sorry, we do not have any phone support. If you need price and availability on one or these parts please e-mail us at sales@vacshopusa.com