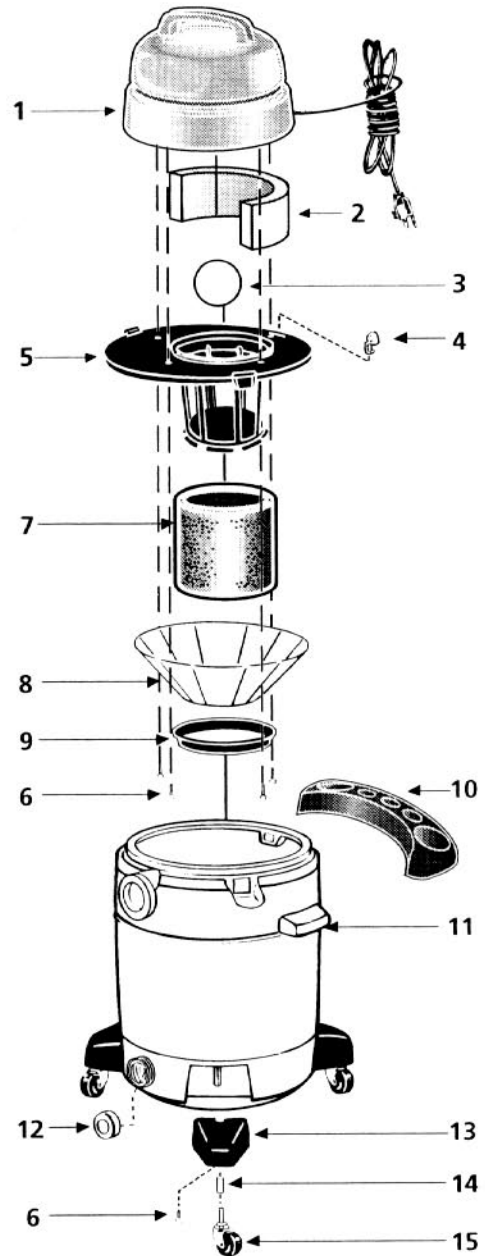


SHOP VAC DOMESTIC

Model: QPS20, QPS20 Bulldog, QPS30



- 1..... SV-8110797..... Power Unit Assy, QPS20
- 1..... SV-8110197..... Power Unit Assy, QPS30
- 2..... SV-1290506 Foam Insert
- 3..... SV-00811..... Ball Float
- 4..... SV-8550101 Lid Latch
- 5..... SV-8914074 Lid Cage & Latch Assy, 6 gallon
- 5..... SV-8967051 Lid Cage & Latch Assy, 8/10/12 gallon
- 6..... SV-15039993 Screw
- 7..... SV-90585 Foam Sleeve
- 8..... SV-90107 Paper Filter, 3pk
- 9..... SV-30065007 Filter Ring
- 10..... SV-8411000..... Accessory/Tool Holder, 6 gallon
- 10..... SV-8411100..... Accessory/Tool Holder, 8/10 gallon
- 10..... SV-8411200..... Accessory/Tool Holder, 12 gallon
- 11..... SV-8483197 Tank Assembly, 6 gallon QPS20
- 11..... SV-8483397 Tank Assembly, 6 gallon QPS30
- 11..... SV-8493197 Tank Assembly, 8 gallon
- 11..... SV-1049397 Tank Assembly, 8 gallon Bulldog
- 11..... SV-8493297 Tank Assembly, 10 gallon
- 11..... SV-8493397 Tank Assembly, 12 gallon
- 12..... SV-1062021 Drain Cap, 12 gallon
- 13..... SV-8581500 Caster Foot, 6 gallon
- 13..... SV-8565000 Caster Foot, 8/10/12 gallon
- 14..... SV-85655009 Caster Retainer, 8/10/12 gallon
- 15..... NLA Caster, 6 gallon
- 15..... SV-67712000 Caster, 8/10/12 gallon

STANDARD ATTACHMENTS

- 1^{1/4}" Hose with extension nozzle
- 1^{1/4}" extension wand
- 10" wet/dry nozzle
- 10" squeegee insert

PHONE: 1-800-353-9991 FAX: 773-889-5538 E-MAIL: sales@vacshopusa.com WEB: www.vacsrus.com