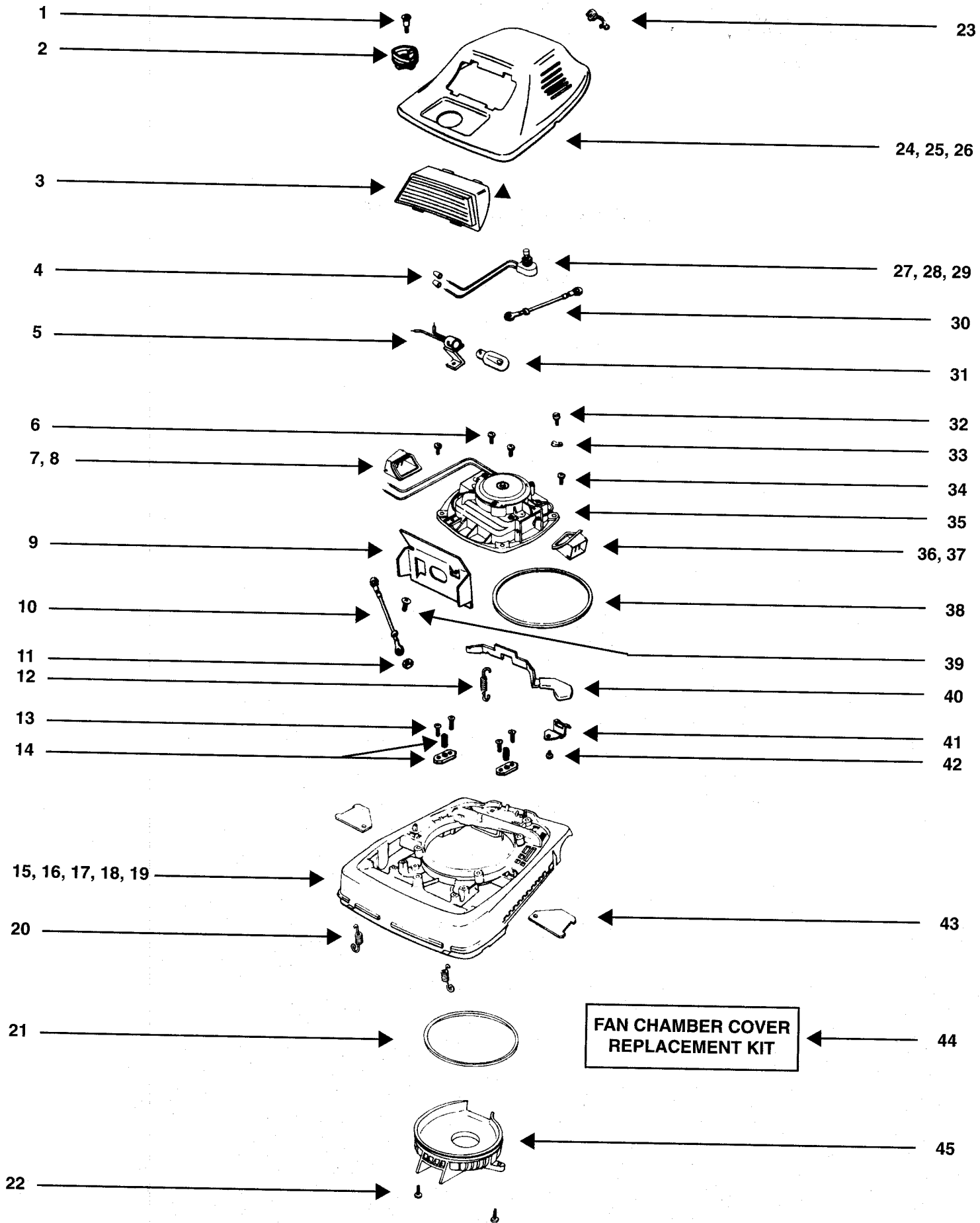


# Sanitaire Model SC888



# SC888G

Item No.	Part No.	Description
1.	53143	Shoulder Screw (Pkg. of 10 1 Used)
2.	26833-1	Adjustment Knob
3.	12600-22	Lens
4.	60192-1	Wire Splice (Pkg. of 5 3 Used)
5.	37514	Headlight Socket Assembly
6.	53238-14	Motor Mounting Screw (Pkg. of 10 3 Used)
7.	* 56379	Air Inlet Duct Assembly (RH)
8.	49052-3	Foam Tape
9.	25461A	Shield
10.	55296	Wire & Terminal Assembly
11.	53213-4	Nut (Pkg. of 10 1 Used)
12.	53097	Foot Pedal Spring (Pkg. of 10 1 Used)
13.	53238-14	Adjustment Screw (Pkg. of 10 4 Used)
14.	53140	Clamp & Screw Assembly (Pkg. of 6 2 Used)
15.	** 55726-18	Base Assembly
16.	24964A-1	Cam (RH)
17.	24965A-1	Cam (LH)
18.	53118	Rivet Cam (Pkg. of 10 2 Used)
19.	53133	Washer (Pkg. of 10 2 Used)
20.	53117	Hood Spring (Pkg. of 10 2 Used)
21.	30517	Motor Seal Gasket
22.	53238-14	Screw (Pkg. of 10 2 Used)
23.	53122	Strain Relief Bushing (Pkg. of 10 1 Used)
24.	*** 54098-1	Hood & Nameplate
25.	37654	Nameplate
26.	55754	Decal
27.	**** 36409-13	Push Switch
28.	53102	Switch Washer (Pkg. of 10 1 Used)
29.	55446	Switch Nut
30.	54173-1	Wire & Terminal Assembly
31.	40009A	Headlight
32.	53228-2	Clip Screw (Pkg. of 10 1 Used)
33.	53160	Cable Clamp (Pkg. of 5 1 Used)
34.	53238-29	Motor Screw (Pkg. of 10 1 Used)
35.	54352-3	Motor Assembly
36.	***** 56380	Air Inlet Duct Assembly (LH)
37.	49052-3	Foam Tape
38.	30517	Motor Seal Gasket
39.	53228-2	Screw (Pkg. of 10 1 Used)
40.	24834A-1	Foot Pedal
41.	37034	Adapter Retainer Spring
42.	53228-2	Retainer Screw (Pkg. of 10 1 Used)
43.	36263	Wheel Cover
44.	***** 52334	Fan Chamber Cover Replacement Kit
45.	13770-1	Fan Chamber Cover

\* Item 7 Includes Item 8

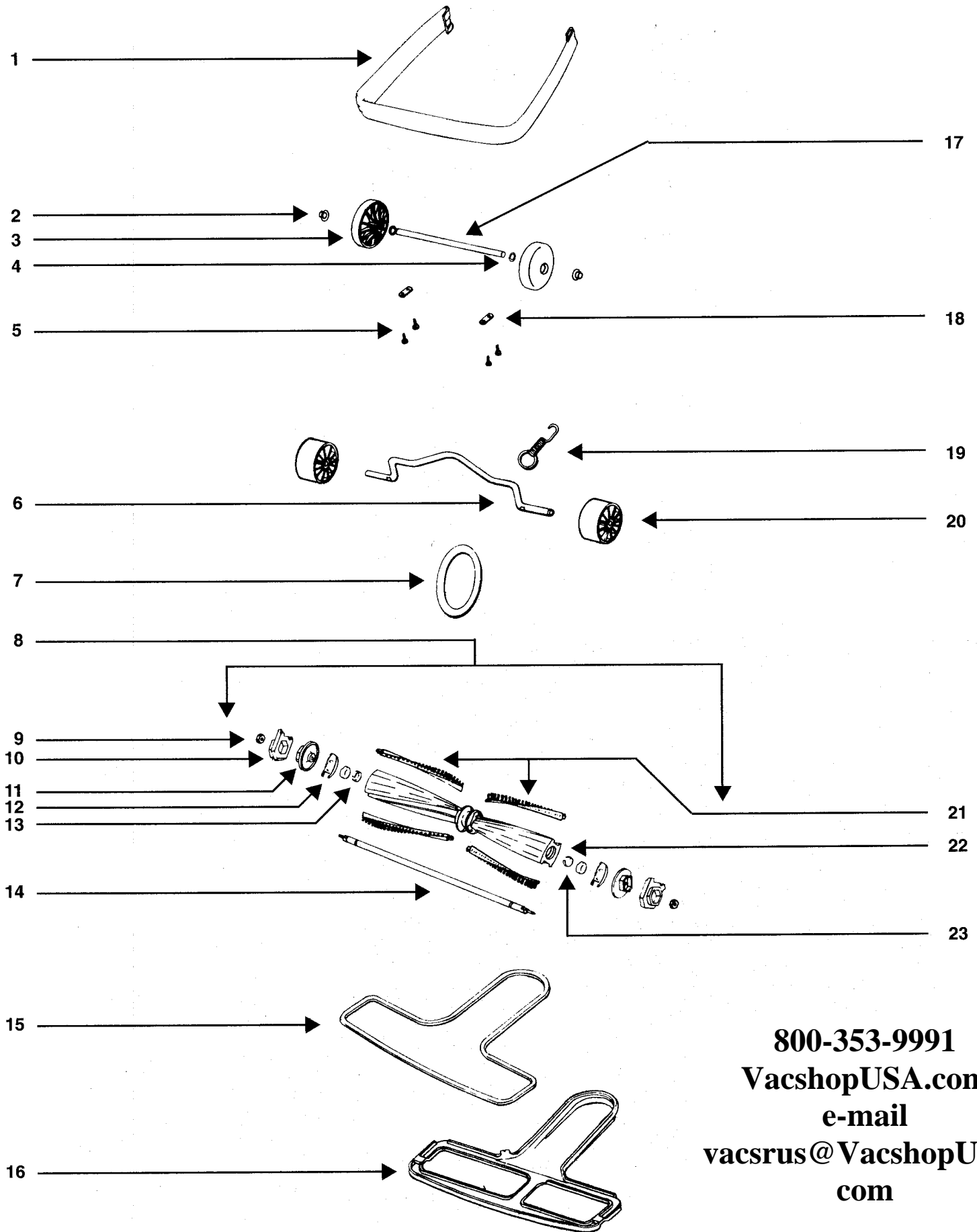
\*\* Item 15 Includes Items 16, 17, 18 & 19

\*\*\* Item 24 Includes Items 25 & 26

\*\*\*\* Item 27 Includes Items 28 & 29

\*\*\*\*\* Item 36 Includes Item 37

\*\*\*\*\* Item 44 Includes Items 21, 22, & 45



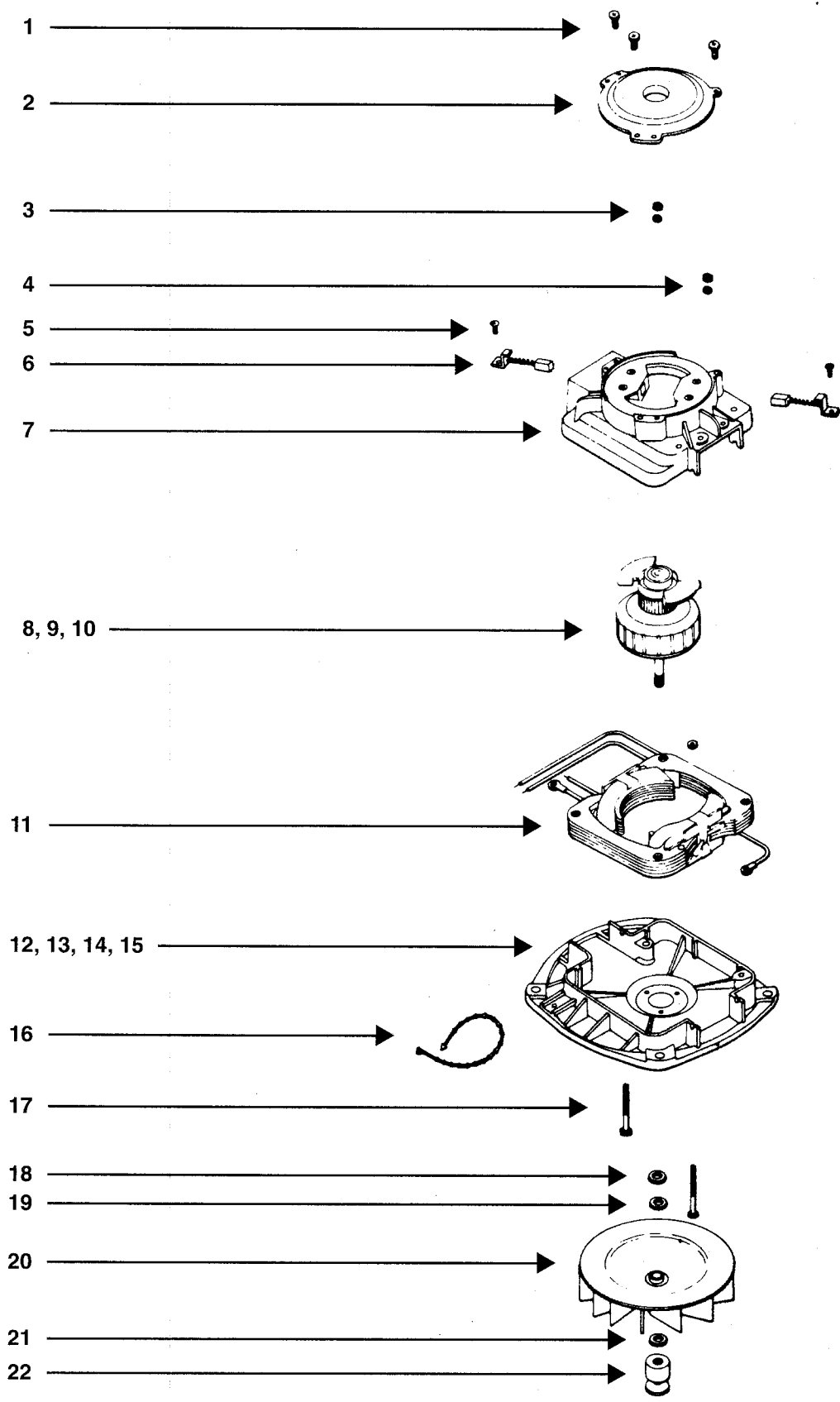
**800-353-9991**  
**VacshopUSA.com**  
**e-mail**  
**vacrus@VacshopUSA.**  
**com**

# SC888G

Item No.	Part No.	Description
1.	27564-1	Furniture Guard
2.	53121	Pushnut (Pkg. of 10 1 Used)
3.	26242-1	Rear Wheel
4.	53110	Wheel Washer (Pkg. of 10 2 Used)
5.	53238-11	Screw (Pkg. of 10 4 Used)
6.	35947A	Front Axle
7.	30563A	Belt
8.	* 54555	Disturbulator Assembly Complete
9.	53158	Locknut (Pkg. of 10 2 Used)
10.	26059A	Cap Cover
11.	26058A	Disturbulator Cap
12.	35728A-1	Cover Plate
13.	53114	Bearing
14.	35663A	Shaft
15.	46538	Foam Tape
16.	** 25922-1	Bottom Plate Assembly
	*** 60161	Wheel & Axle Assembly
17.	37183	Rear Axle
18.	53201	Axle Clamp
19.	53076-2	Axle Spring (Pkg. of 6 1 Used)
20.	35859A-1	Front Wheel
21.	52140	Bristle Strip Set
22.	48159	Pulley Replacement
23.	53115	Tolerance Ring (Pkg. of 10 2 Used)

- \* Item 8 Includes Items 9, 10, 11, 12, 13, 14, 21, 22 & 23
- \*\* Item 16 Includes Item 15
- \*\*\* Includes Items 2, 3, 4 & 17

**800-353-9991 VacshopUSA.com e-mail vacsrus@VacshopUSA.com**

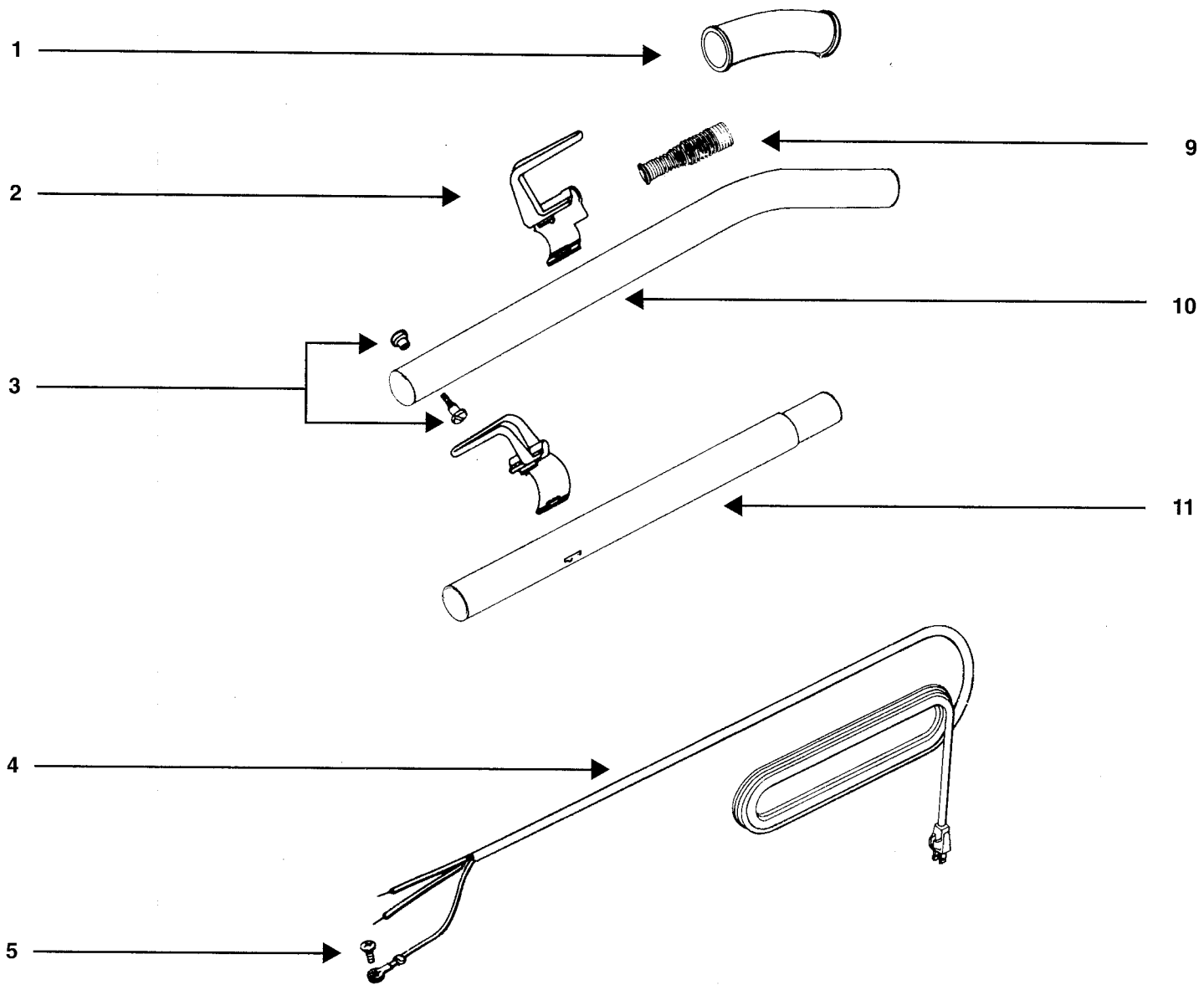


# SC888G

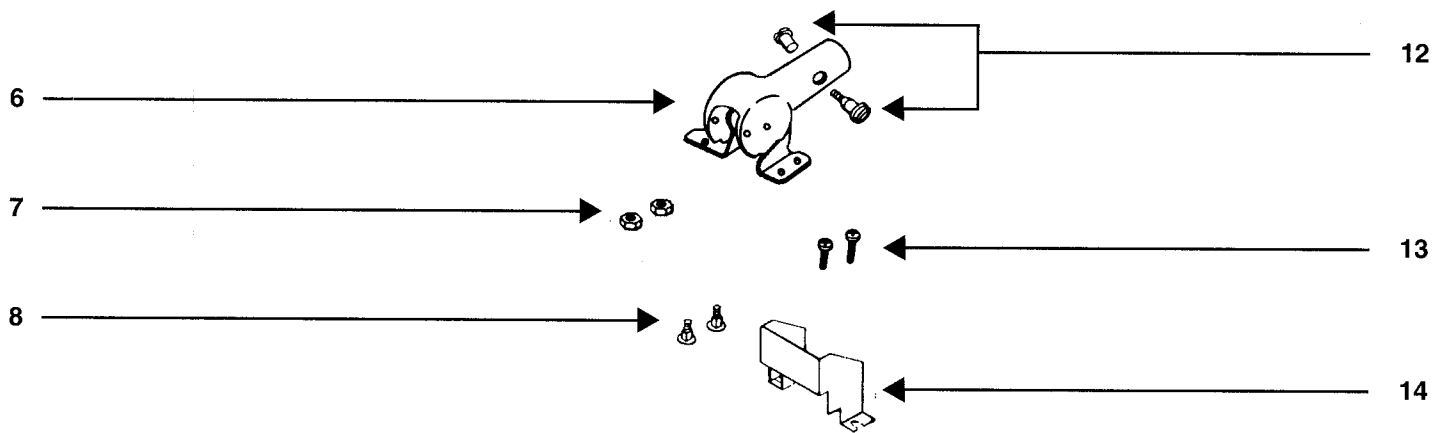
Item No.	Part No.	Description
1.	53138	Retainer Screw (Pkg. of 10 3 Used)
2.	20217E	Retainer Assembly
3.	53213-4	Hex Nut (Pkg. of 10 4 Used)
4.	53222-3	Lock Washer (Pkg. of 10)
5.	53219-2	Brush Screw (Pkg. of 10)
6.	30478	Motor Brush Assembly (2)
7.	54396	Motor Cover
8.	* 54425-3	Arm Fan & Bearing Assembly
9.	53088-2	Bearing (Pkg. of 5 1 Used)
10.	30474A	Fan
11.	53441-2	Field Assembly
12.	** 54169-1	Motor Base Assembly
13.	54412	Bearing & Retainer Assembly
14.	53088-2	Bearing (Pkg. of 5 1 Used)
15.	53187-1	Rivet (Pkg. of 10 3 Used)
16.	46713-1	Tie Fastener
17.	53142	Orlo Thread Screw (Pkg. of 10 1 Used)
18.	53188-1	Washer (Pkg. of 10 1 Used)
19.	53148	Fan Washer (Pkg. of 10 1 Used)
20.	12988	Fan
21.	53148	Fan Washer (Pkg. of 10 1 Used)
22.	37012-2	Pulley

\* Item 8 Includes Items 9 & 10

\*\* Item 12 Includes Items 13, 14, & 15



800-353-9991 VacshopUSA.com e-mail vacsrus@VacshopUSA.com



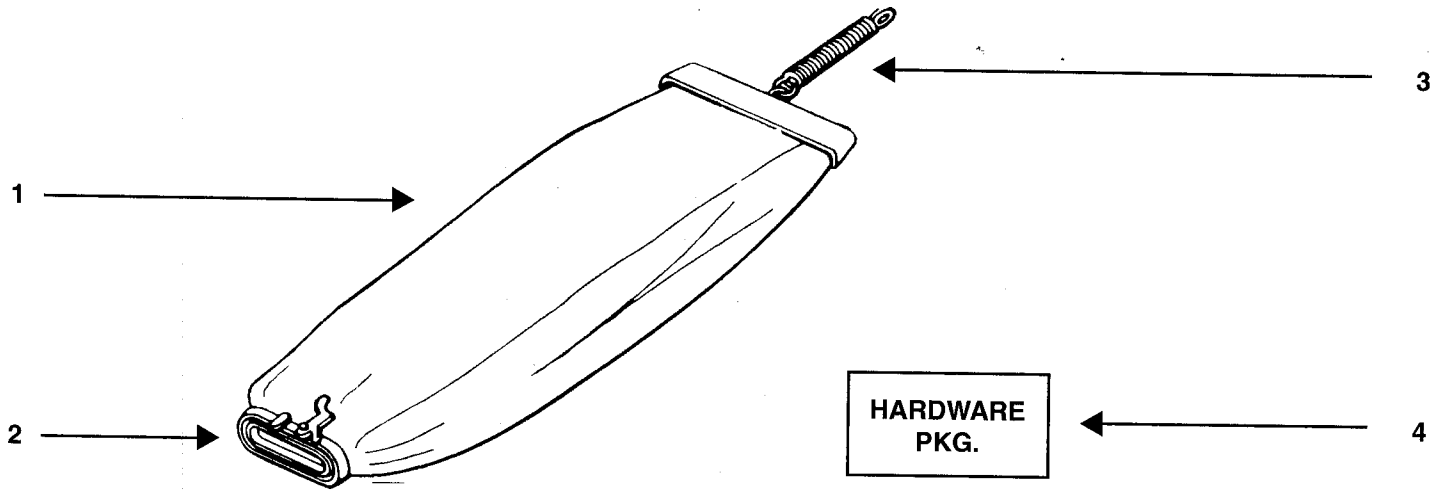
# SC888G

Item No.	Part No.	Description
1.	35293-8	Handle Grip
2.	53574-1	Cord Retainer
3.	53198-1	Screw & Nut Assembly (Pkg. of 6 1 Used)
4.	52370-12	Supply Cord
5.	53238-11	Screw (Pkg. of 10 1 Used)
6.	38183-1	Handle Socket Assembly
7.	53213-5	Nut (Pkg. of 10 2 Used)
8.	53145	Bolt (Pkg. of 10 2 Used)
9.	53077	Strain Relief Spring (Pkg. of 5)
10.	* 25329-20	Upper Handle Assembly
11.	12637-8	Lower Handle Tube
12.	53198-1	Screw & Nut Assembly (Pkg. of 6 1 Used)
13.	53238-29	Screw (Pkg. of 10 2 Used)
14.	36439	Handle Socket Shield

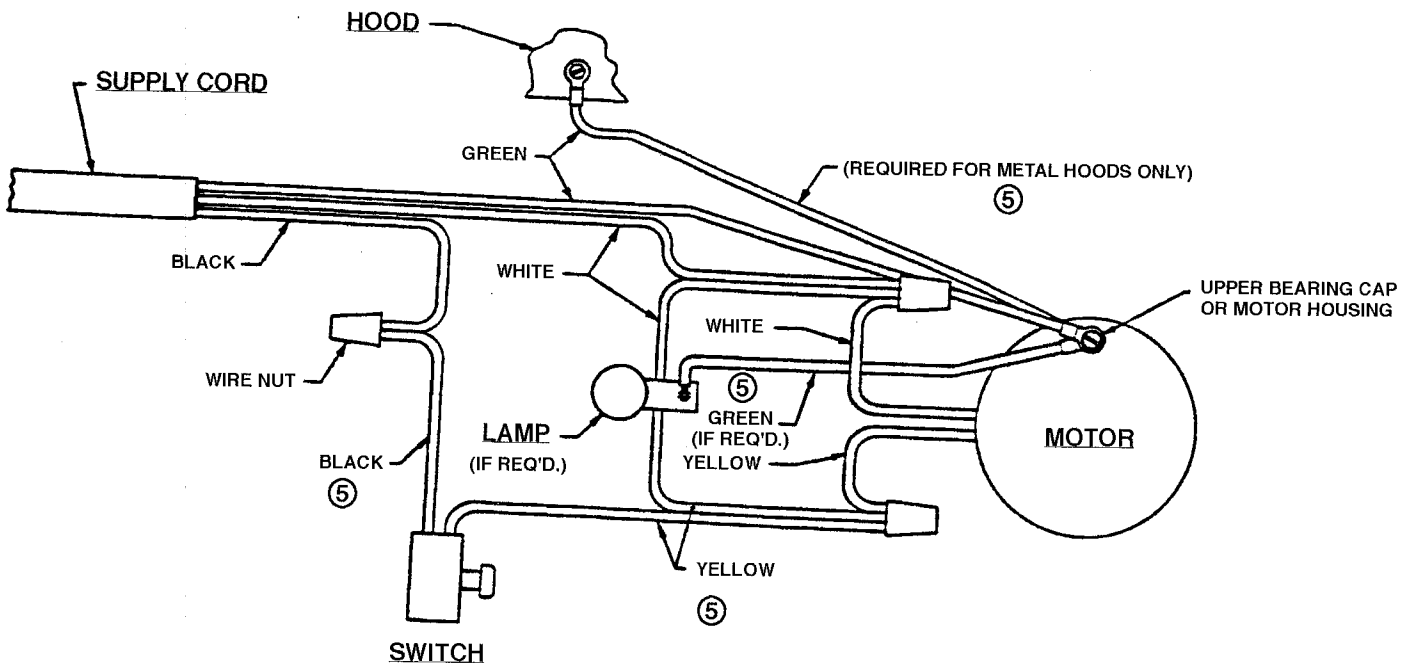
\* Item 10 Includes Item 1

**800-353-9991 VacshopUSA.com e-mail vacsrus@VacshopUSA.com**





800-353-9991 VacshopUSA.com e-mail vacsrus@VacshopUSA.com



36575 WIRING DIAGRAM

## SC888G

Item No.	Part No.	Description
1.	53506-9	Outer Bag Assembly Complete
2.	54174-1	Bag Adapter
3.	47722	Spring
4.	49461A	Hardware Package
	Not Illustrated 48410	Garter Spring
	48282	Gasket

**800-353-9991 VacshopUSA.com e-mail vacsrus@VacshopUSA.com**