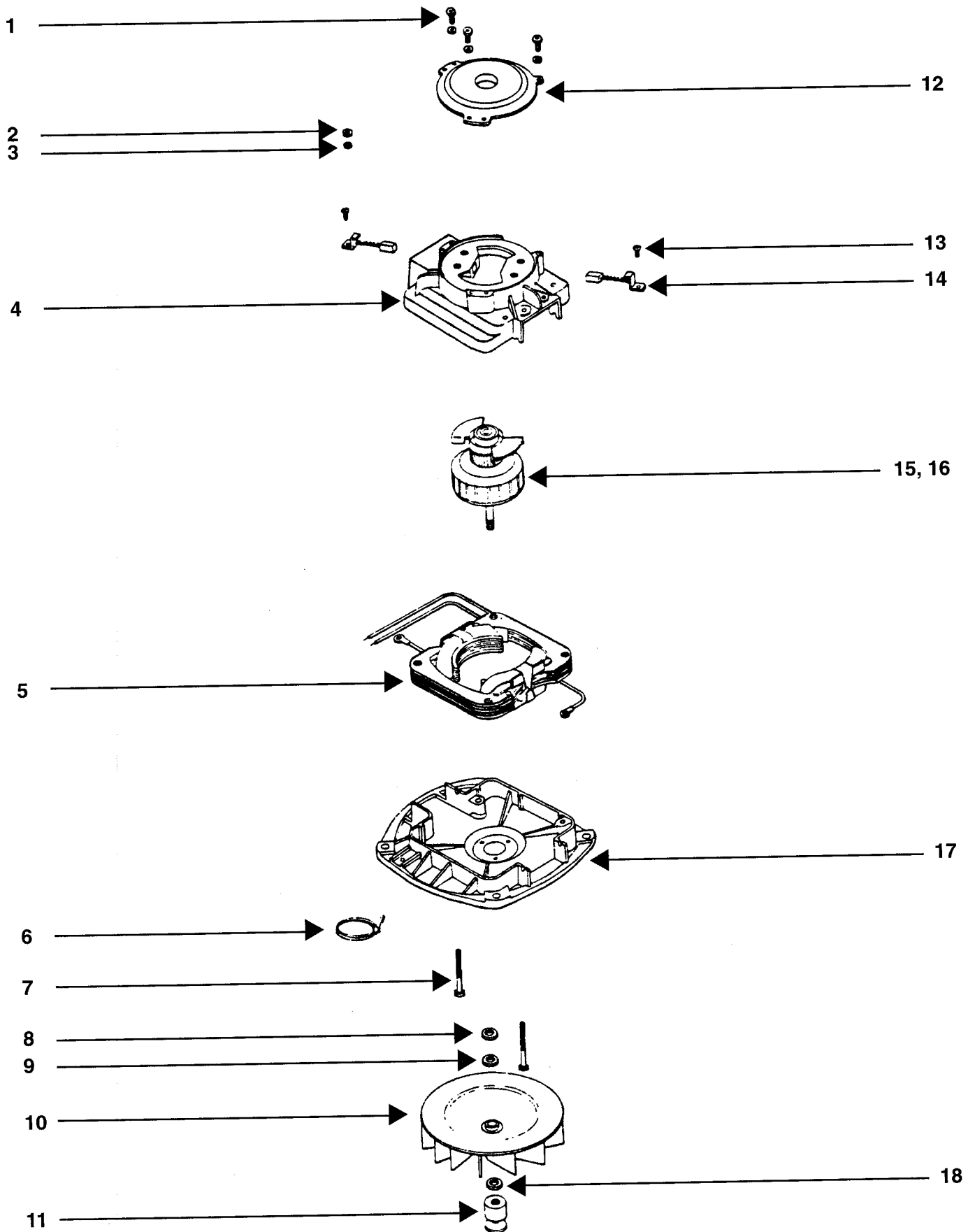


SC684F

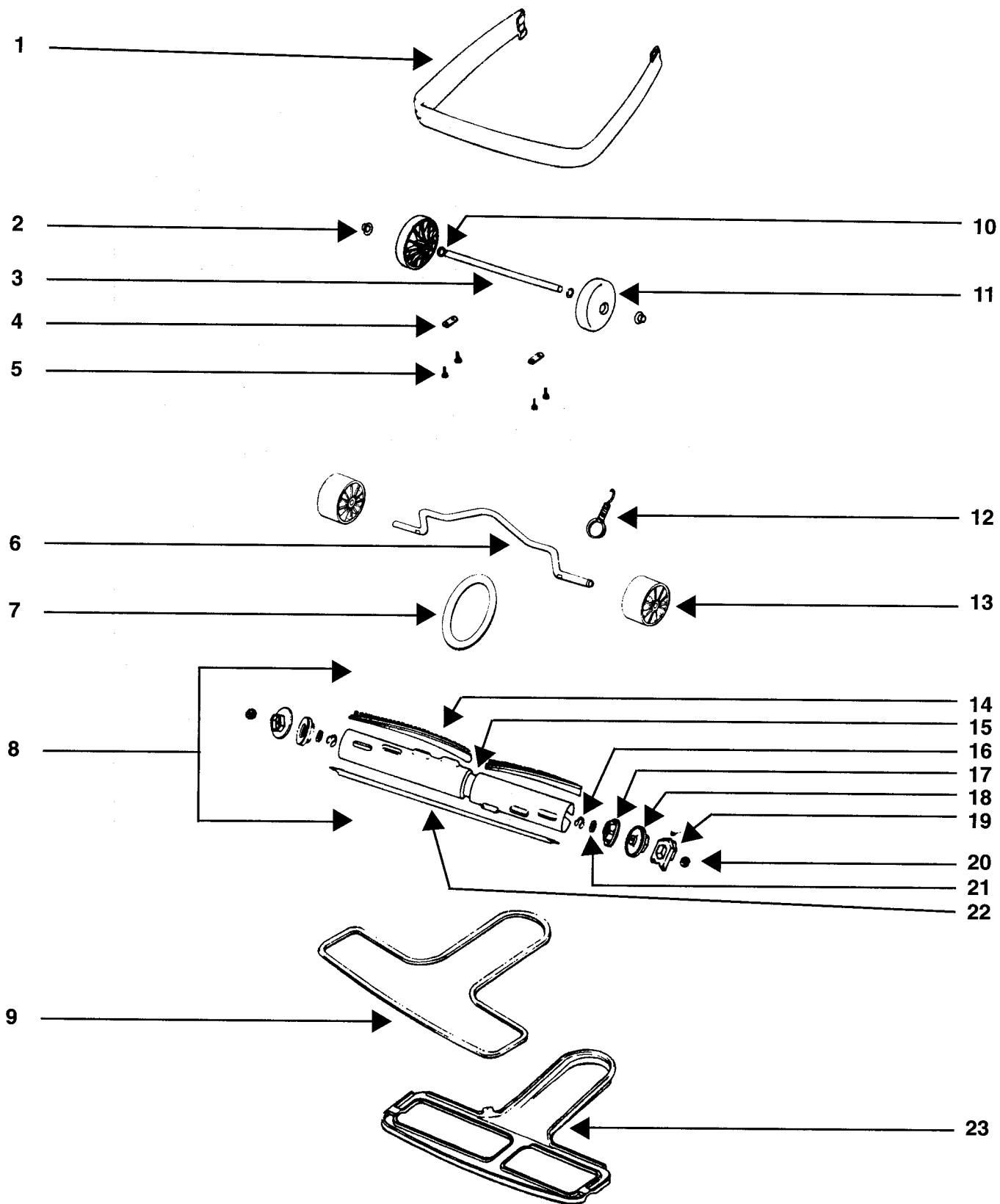
ITEM #	PART #	DESCRIPTION
1.	53143	SHOULDER SCREW (PKG. OF 10 1 USED)
2.	38053-2	ADJUSTMENT KNOB
3.	54314-2	HOOD & GRAPHICS ASS'Y.
4.	60192-1	WIRE SPLICE (PKG. OF 5 3 USED)
5.	53238-13	MOTOR MTG. SCREW (PKG. OF 10 1 USED)
6.	54352-3	MOTOR ASSEMBLY
7.	30517	MOTOR MTG. GASKET
8.	53097	FOOT PEDAL SPRING (PKG. OF 5 1 USED)
9.	53238-14	CLAMP SCREW (PKG. OF 10 4 USED)
10.	53140	CLAMP & SCREW ASS'Y. (PKG. OF 6 2 USED)
11.	36263	WHEEL COVER
12.	53215-5	SCREW (PKG. OF 10 2 USED)
13.	53122	STRAIN RELIEF BUSHING (PKG. OF 10 1 USED)
14.	38218-1	BUSHING BRACKET
15.	14660-1	SWITCH BUTTON
16.	37989	SWITCH CLIP
17.	13738-5	PUSH SWITCH
18.	53238-14	SCREW (PKG. OF 10 3 USED)
19.	38067	SEPARATOR ASS'Y.
20.	55296	WIRE & TERMINAL ASS'Y.
21.	24834A-1	FOOT PEDAL
22.	37034	ADAPTER RETAINER
23.	53238-11	SCREW (PKG. OF 10 1 USED)
24.	54410-6	BASE ASS'Y. (INCLUDES * )
25.	* 24964A-1	CAM (R.H. NOT ILLUSTRATED)
26.	* 24965A-1	CAM (L.H. NOT ILLUSTRATED)
27.	* 53118	RIVIT - CAM (PKG. OF 10 2 USED) (NOT ILLUSTRATED)
28.	* 53133	WASHER (PKG. OF 10 2 USED) ( NOT ILLUSTRATED )
29.	36263	WHEEL COVER



SC684F

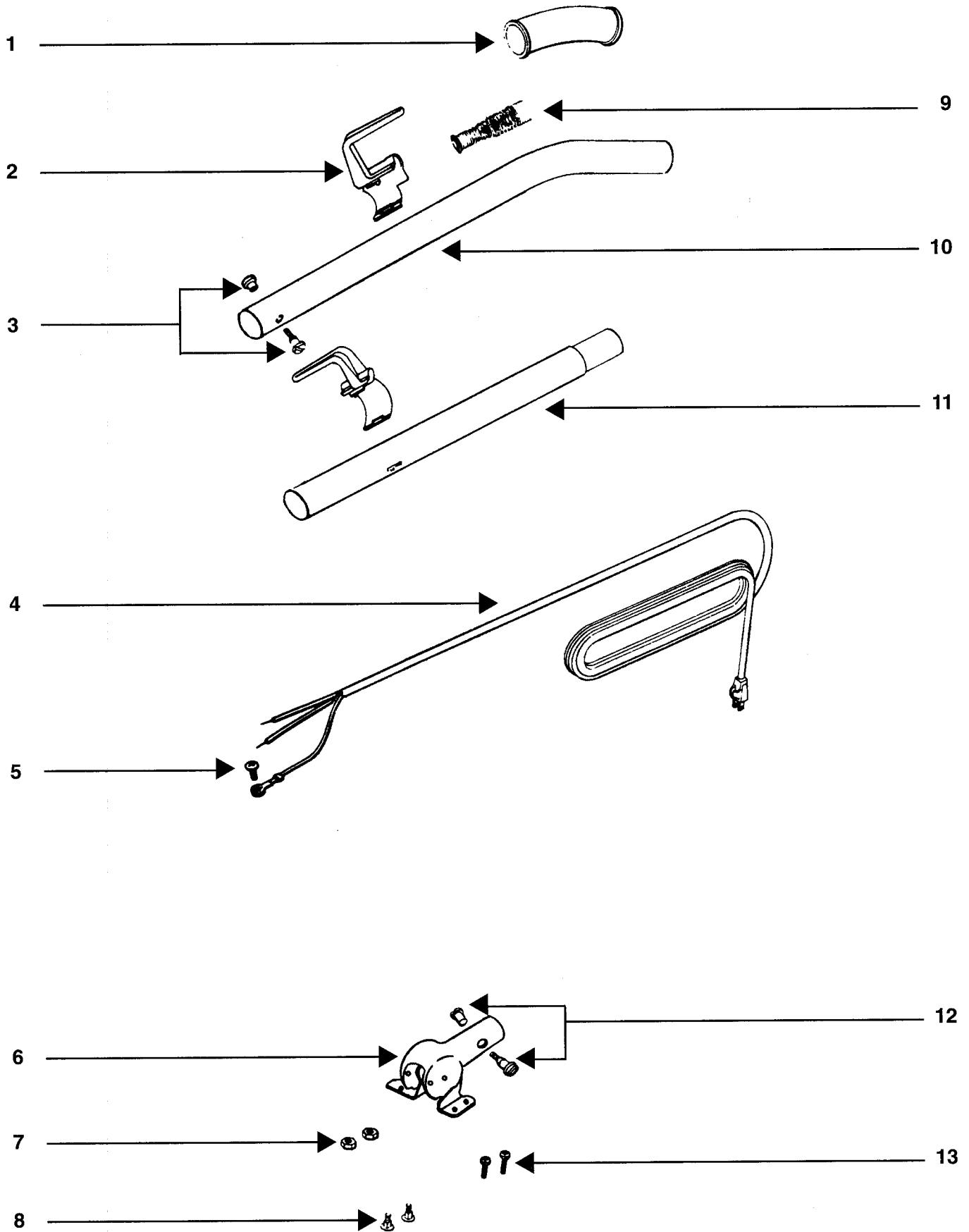
ITEM #	PART #	DESCRIPTION
1.	53138	RETAINER SCREW
2.	53213-4	HEX NUT (PKG. OF 10)
3.	53222-3	LOCK WASHER (PKG. OF 5)
4.	54396	MOTOR COVER
5.	53441-2	FIELD ASS'Y.
6.	46713-1	CABLE TIE
7.	53142	ORLO THREAD SCREW (PKG. OF 10 2 USED)
8.	53188-1	WASHER (PKG. OF 10 1 USED)
9.	53148	FAN WASHER (PKG. OF 10 1 USED)
10.	12988	FAN
11.	37012-2	PULLEY
12.	20217E	RETAINER ASS'Y.
13.	53219-2	BRUSH SCREW (PKG. OF 10 2 USED)
14.	30478	MOTOR BRUSH ASS'Y. (2 USED)
15.	* 54395-4	ARMATURE & FAN ASS'Y.
16.	30474A	FAN
17.	54169-1	MOTOR BASE ASS'Y. (INCLUDES THE FOLLOWING)
	42875-2	BEARING & RETAINER
	53088-3	BEARING (PKG. OF 5)
	53187-1	RIVET (PKG. OF 10)
18.	53148	FAN WASHER (PKG. OF 10 1 USED)

\* ITEM 15 INCLUDES ITEM 16



**SC684F**

<b>ITEM #</b>	<b>PART #</b>	<b>DESCRIPTION</b>
1.	27564-1	FURNITURE GUARD
2.	53121	PUSH NUT (PKG. OF 10 2 USED)
3.	* 37234-1	WHEEL & AXLE ASS'Y.
	37183	REAR AXLE ONLY
4.	53201	AXLE CLAMP
5.	53238-11	SCREW (PKG. OF 10 4 USED)
6.	35947A	FRONT AXLE
7.	52100	BELT PKG. OF 2 (30563A SINGLE BELT)
8.	** 53270	DISTURBULATOR ASS'Y. COMPLETE
9.	46538	FOAM TAPE
10.	53110	WHEEL WASHER (PKG. OF 10 2 USED)
11.	26242-1	REAR WHEEL
12.	53076-2	AXLE SPRING (PKG. OF 6 1 USED)
13.	35859A-1	FRONT WHEEL
14.	52282-4	BRISTLE STRIP ASS'Y.
15.	13236-3	DISTURBULATOR TUBE
16.	53184	KLIPRING (PKG. OF 10 2 USED)
17.	54256	BEARING RETAINER
18.	26057A	DISTURBULATOR CAP
19.	26059A	CAP COVER
20.	53158	LOCK NUT (PKG. OF 10 2 USED)
21.	49899	WASHER (2 USED)
22.	25937	SHAFT
23.	*** 25922-1	BOTTOM PLATE
	* ITEM 3	INCLUDES ITEMS 2 & 11
	** ITEM 8	INCLUDES ITEMS 14, 15, 16, 17, 18, 19, 20, 21 & 22
	*** ITEM 23	INCLUDES ITEM 9



**SC684F**

<b>ITEM #</b>	<b>PART #</b>	<b>DESCRIPTION</b>
1.	35293-8	HANDLE GRIP
2.	53574-1	CORD RETAINER SET
3.	53198-1	SCREW & NUT ASS'Y. (PKG. OF 6 1 USED)
4.	52370-12	SUPPLY CORD
5.	53228-2	SCREW (PKG. OF 10 1 USED)
6.	38183-1	HANDLE SOCKET ASS'Y.
7.	53213-5	NUT (PKG. OF 10 2 USED)
8.	53145	BOLT (PKG. OF 10 2 USED)
9.	38495	SPRING
10.	* 25329-20	UPPER HANDLE ASS'Y.
11.	12637-8	LOWER HANDLE TUBE
12.	53198-1	SCREW & NUT ASS'Y. (PKG. OF 6 1 USED)
13.	53238-13	SCREW (PKG. OF 10 2 USED)

\* ITEM 10 INCLUDES ITEM 1