

SC4580AT-2

ITEM#	PART#	DESCRIPTION
1.	60249-1	HOOD ASSEMBLY
2.	60940	FASTENER - pkg of 10
3.	60941	RETAINER - pkg of 10
4.	58506-3	GASKET - BASE
5.	27462C-288N	HEIGHT ADJUSTMENT KNOB
6.	53197-1	SCREW - pkg of 10
7.	38420-2	CLAMP
8.	38590	REAR AXLE
9.	39260A-288N	REAR WHEEL
10.	60939	RECEPTACLE - pkg of 10
11.	60938-1	BASE ASSEMBLY*
12.	54376-2	BELT CAP ASSEMBLY
13.	15591-288N	FURNITURE GUARD
14.	60909-3	DISTURBULATOR ASSEMBLY
15.	57569	GASKET - BELT CAP
16.	61120	BELT - pkg of 2
17.	39173A-119N	FRONT WHEEL
18.	58206-1	WHEEL AXLE
19.	14993C-119N	WHEEL CARRIAGE
20.	54943	SPRING - pkg of 10
21.	54432	RETAINING RING - pkg of 10
22a.	38479-4	COMPRESSION HOSE
22b.	28243A-316N	BASE ADAPTER
23.	53197-1	SCREW - pkg of 10
24.	27468D-119N	HOSE CUFF
25.	60133	COMPRESSION SPRING - pkg of 5
26.	27467A-288N	HANDLE RELEASE

* INCLUDES ITEMS 5, 8, 9, 13, 17, 18, 19, 20, 21 & 22b

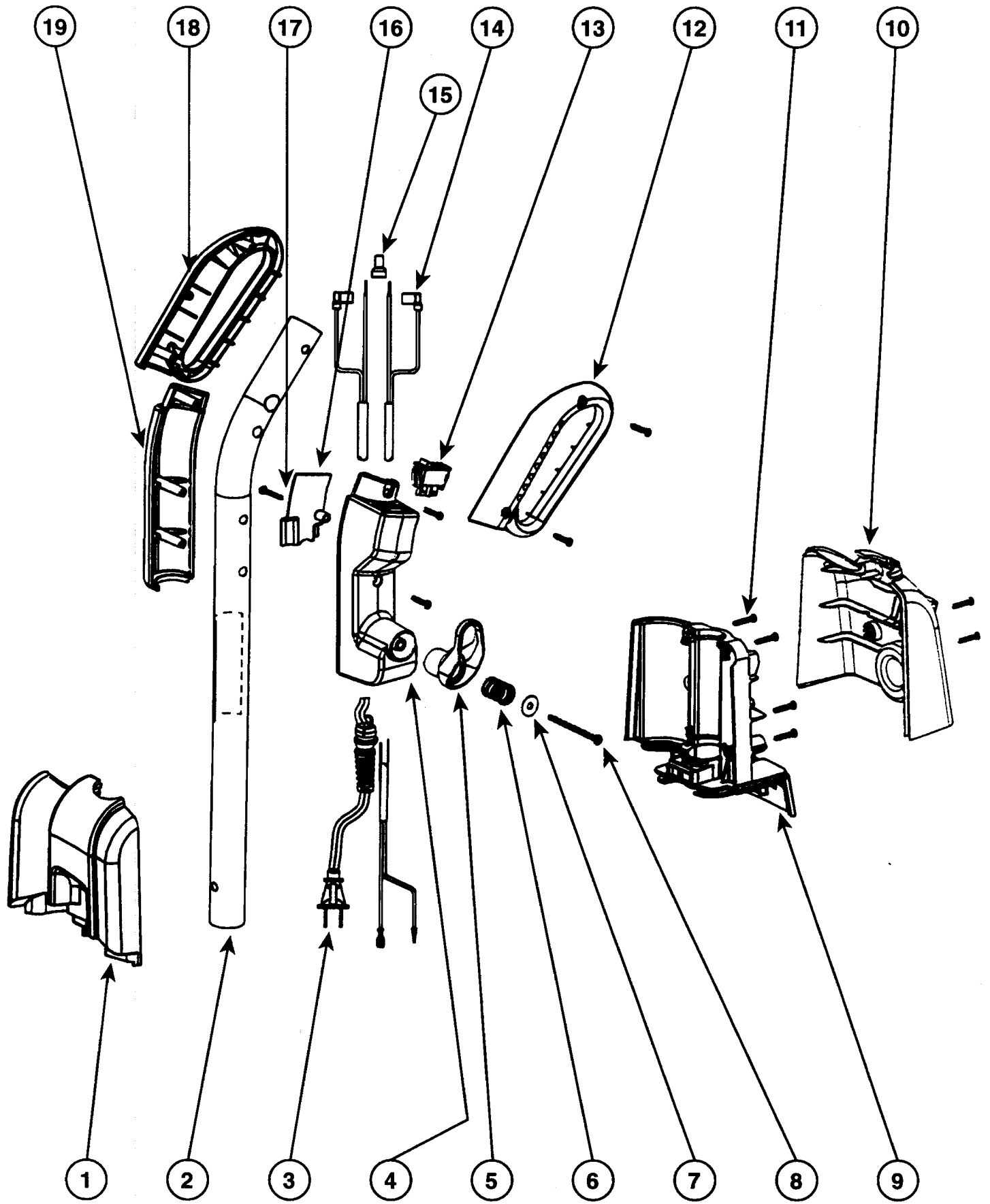
SC4580AT-2

ITEM#	PART#	DESCRIPTION
1.	60068-2	SCREW - pkg of 10
2.	15407-313N	LENS
3.	53197-1	SCREW - pkg of 10
4.	60942-1	MOTOR COVER ASSEMBLY*
5.	38611-1	LIGHT SOCKET
6.	48815	HEADLIGHT
7.	60943-1	HEPA MOTOR ASSEMBLY**
8.	27552B	GROMMET
9.	59137	MOTOR EXHAUST GASKET
10.	59297SV	AIR DUCT GASKET
11.	15408B-119N	AIR DUCT
	28425	AIR DUCT GRILLE - not illustrated
12.	27171A	MOTOR INTAKE GASKET
13.	39023	MOTOR INTAKE FLANGE
14.	60285B	FILTER ASSEMBLY
15.	53197-1	SCREW - pkg of 10
16.	70133-119N	TOOL CADDY BUSHING
17.	15443B-119N	TOOL CADDY
18.	60944-2	REAR HOUSING
19.	61333	MOTOR FILTER - pkg of 2
20.	60192-1	SPLICE - pkg of 5
21.	60613	NUT - pkg of 10
22.	46713-5	CABLE TIE
23.	39252-3	THERMOSTAT ASSEMBLY
24.	59361A	ADAPTER TUBE
25.	59362B	TUBE - 7"

* INCLUDES ITEMS 1 & 2

** INCLUDES ITEMS 8 & 9

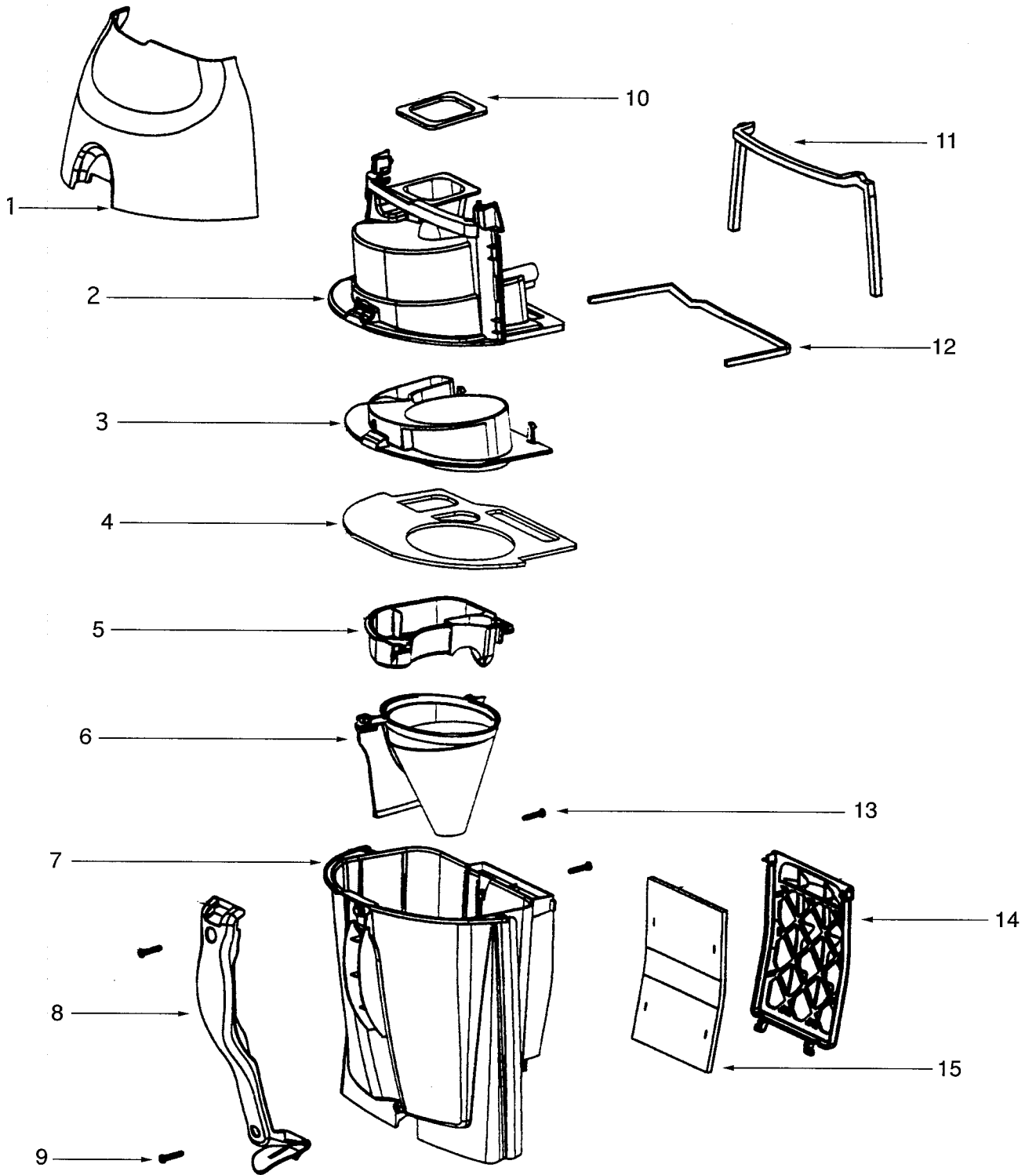
1-800-353-9991 VacShopusa.com E-mail sales@VacShopUSA.Com



SC4580AT-2

ITEM#	PART#	DESCRIPTION
1.	70332-308N	FRONT HANDLE HOUSING
2.	15580	HANDLE
3.	38680-19	SUPPLY CORD ASSEMBLY
	58822	STRAIN RELIEF BUSHING
4.	02348-288N	SWITCH HOUSING - LEFT HAND
5.	28316-288N	CORD RETAINER
6.	60945	SPRING - pkg of 10
7.	60946	WASHER - pkg of 10
8.	53238-18	SCREW - pkg of 10
9.	15534A-119N	REAR HANDLE HOUSING
10.	15581-119N	HANDLE COVER
11.	53197-1	SCREW - pkg of 10
12.	15596-288N	GRIP - LEFT HANDLE
13.	28305	ROCKER SWITCH
14.	28011-2	UPPER CORD ASSEMBLY
15.	60192-1	SPLICE - pkg of 5
16.	59741-316N	WIRING SHIELD
17.	60947	SCREW - pkg of 10
18.	15597-288N	GRIP - RIGHT HANDLE
19.	02349-288N	SWITCH HOUSING - RIGHT HAND

1-800-353-9991 VacShopusa.com E-mail sales@VacShopUSA.Com



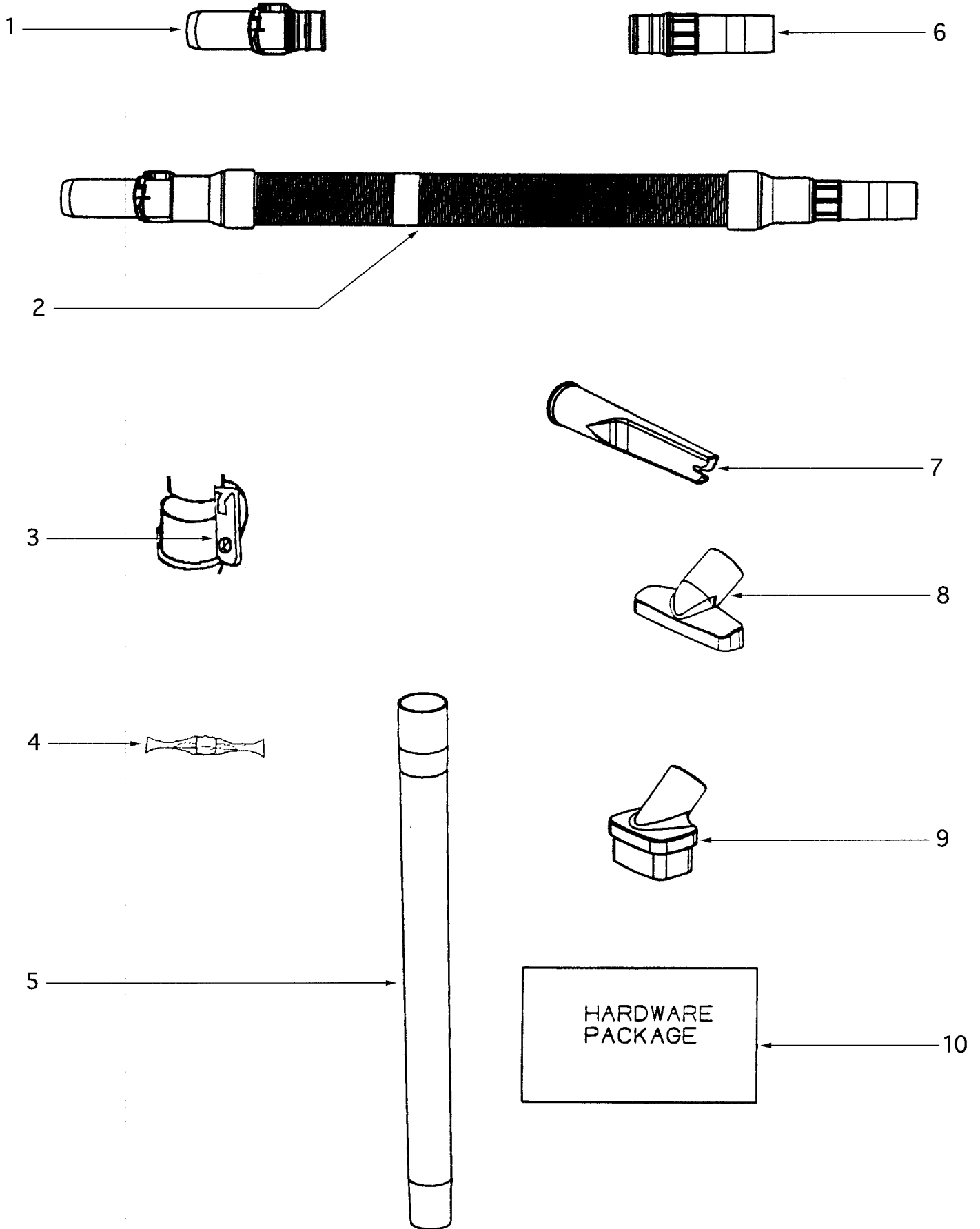
SC4580AT-2

ITEM#	PART#	DESCRIPTION
1.	60704-14	FRONT COVER
2.	60705-5	CYCLONE ASSEMBLY*
3.		LOWER CYCLONE with #2 only
4.	39219B-1	GASKET SHEET**
5.	28099B-333N	FILTER SCREEN
6.	02311A-333N	CYCLONE FUNNEL
	59852-1	FUNNEL GASKET - not illustrated
7.	60706-1	CYCLONIC CASSETTE ASSEMBLY
8.	28131-288N	DIRT CUP GRIP
9.	53197-1	SCREW - pkg of 10
10.	39219B-1	GASKET SHEET
11.	59595-1	CYCLONE GASKET
12.	59297-2SV	AIR DUCT GASKET
13.	53197-1	SCREW - pkg of 10
14.	28114-119N	FILTER FRAME
15.	60696	FILTER - pkg of 2

* INCLUDES ITEMS 3, 4 & 10

** INCLUDES ITEM 10

1-800-353-9991 VacShopusa.com E-mail sales@VacShopUSA.Com



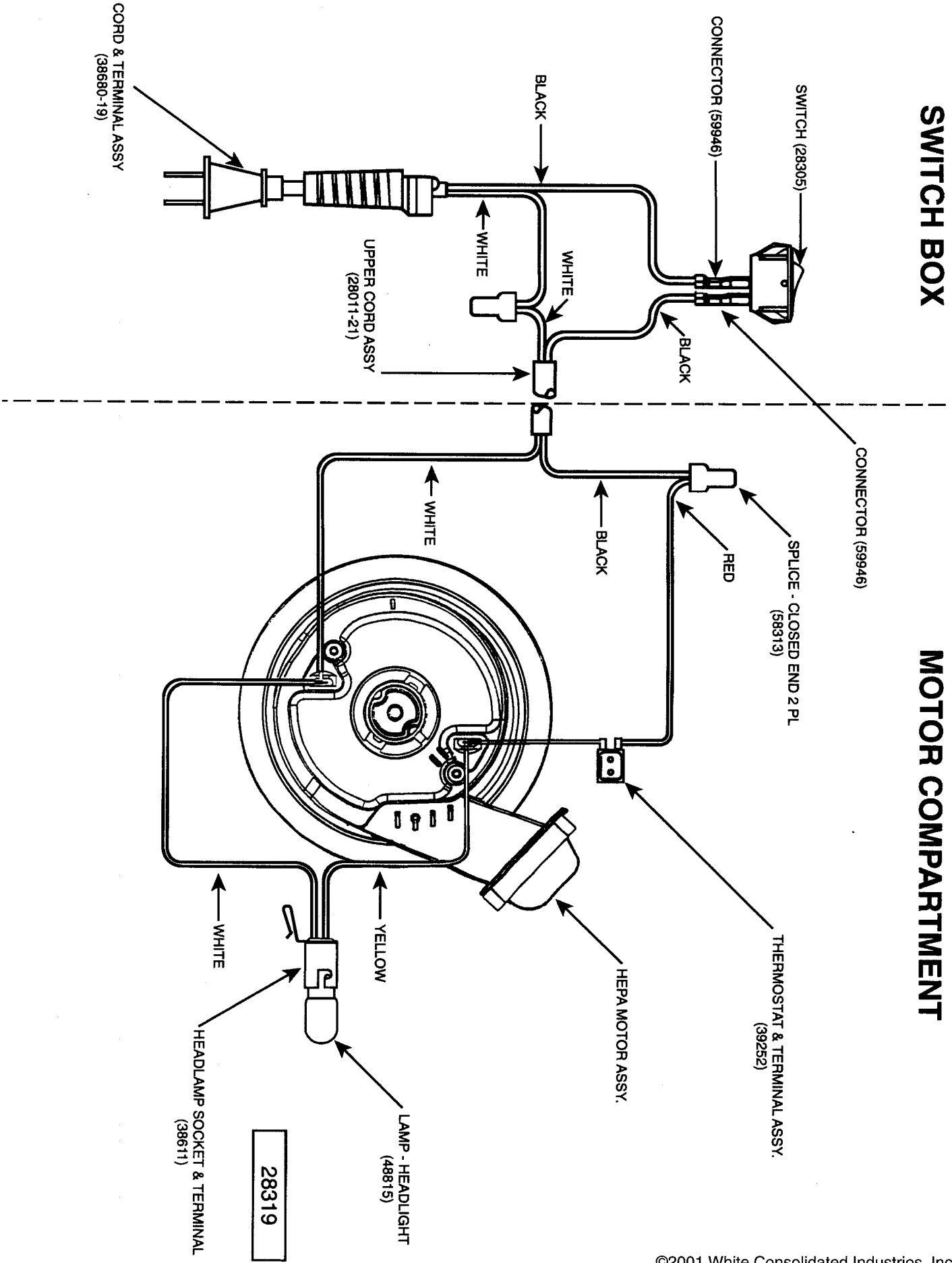
SC4580AT-2

ITEM#	PART#	DESCRIPTION
1.	28051A-119N	HOSE ADAPTER
2.	61040-1	HOSE ASSEMBLY*
3.	39152A-333N	HOOK PLATE
4.	39231-2	HOSE STRAP
5.	60424	TELESCOPIC WAND ASSEMBLY
6.	37057A-3	HOSE COUPLING
7.	26708-119N	CREVICE TOOL
8.	38284-3	UPHOLSTERY NOZZLE ASSEMBLY
9.	60290-1	DUSTING BRUSH
10.	70124	HARDWARE PACKAGE
	70478A	OWNER'S GUIDE - not illustrated

* INCLUDES ITEMS 1 & 6

SWITCH BOX

MOTOR COMPARTMENT



28319