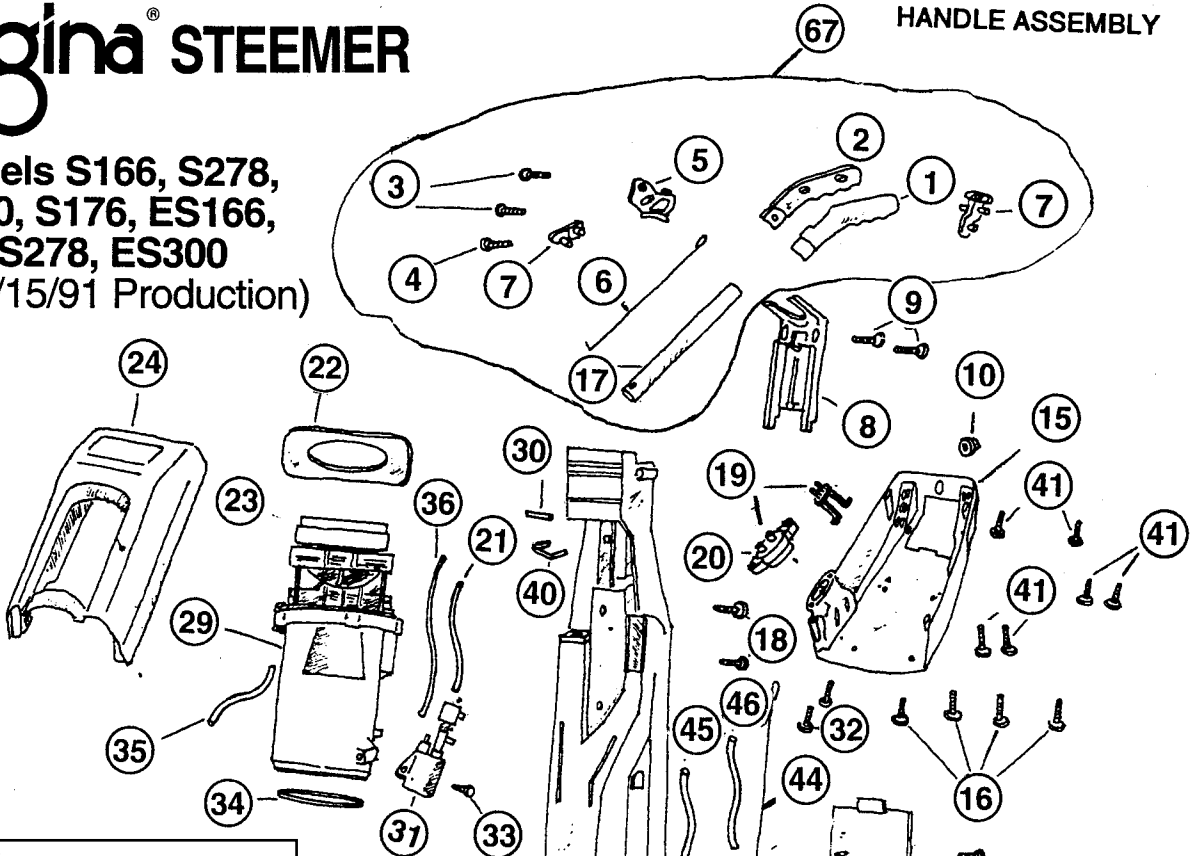


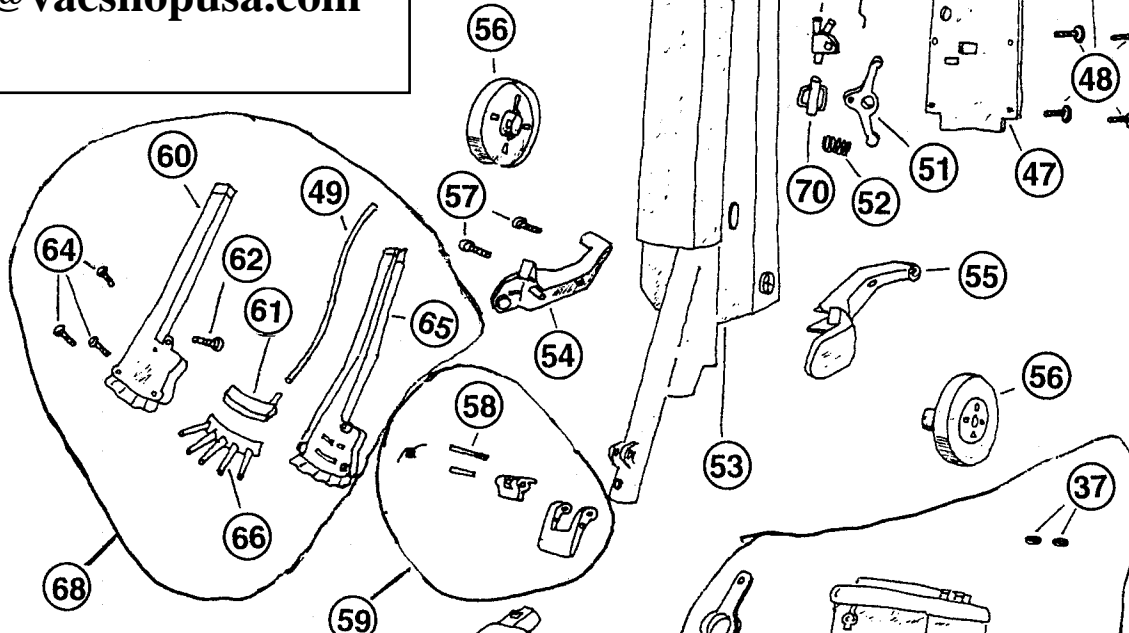
Regina[®] STEEMER

Models S166, S278,
S300, S176, ES166,
ES278, ES300
(Pre 7/15/91 Production)

HANDLE ASSEMBLY

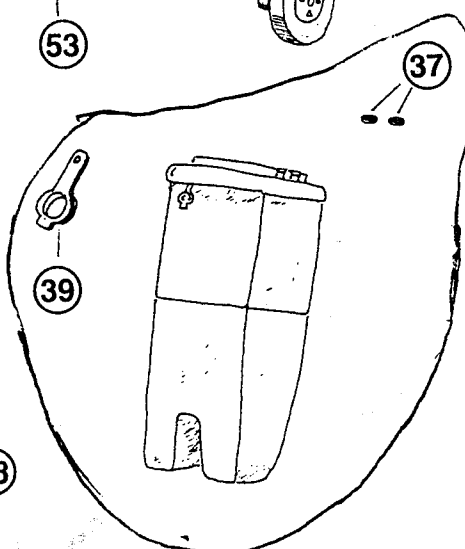


vacshopusa.com
sales@vacshopusa.com



MANIFOLD ASSEMBLY

TANK ASSEMBLY



REGINA STEEMER

MODELS ES166, ES278, ES300, S166, S176, S278, S300 (PRE 7/15/91 PRODUCTION)

<u>ITEM</u>	<u>PART NUMBER</u>	<u>DESCRIPTION</u>	<u>MODEL NUMBER</u>
01	52053P3CR	GRIP, HANDLE (RIGHT)	ES166,ES278,ES300,S166,S176,S278,S300
02	52052P5CR	GRIP, HANDLE (LEFT)	ES166,S166
	52052P6CR	GRIP, HANDLE (LEFT)	ES278,ES300,S176,S278,S300
03	03729	SCREW	ES166,ES278,ES300,S166,S176,S278,S300
04	03729	SCREW	ES166,ES278,ES300,S166,S176,S278,S300
05	52055P1BR	TRIGGER, DISPENSING	S166,S278
	52055P1AA	TRIGGER, DISPENSING	ES166,ES278,ES300,S176,S300
06	52076P3	WIRE, UPPER CONTROL	ES166,ES278,ES300,S166,S176,S278,S300
07	52056P4BR	BUTTON, SPOTTER	S166,S278
	52056P4AA	BUTTON, SPOTTER	ES166,ES278,ES300,S176,S300
08	52023P1BS	CLAMP, HANDLE	S166,S278,S300
	52023P1CR	CLAMP, HANDLE	ES166,ES278,ES300,S176
09	03-00392-15	SCREW	ES166,ES278,ES300,S166,S176,S278,S300
10	52106P1AC	KNOB, SWITCH	S166,S278
	52106P1AA	KNOB, SWITCH	ES166,ES278,ES300,S176,S300
11	52047P3	SWITCH	ES166,S166,S176
	52047P4	SWITCH	ES278,S278
	52047P6	SWITCH	ES300,S300
12	03778	SCREW	ES166,ES278,ES300,S176,S166,S278,S300
13	03-00393-01	STRAIN RELIEF (HEYCO)	ES166,ES278,ES300,S176,S166,S278,S300
14	952048G1	LINE CORD	ES166,ES278,ES300,S166,S278,S300
	07100-0476	LINE CORD	S176
15	52018P1BS	HOUSING, REAR	S166,S300
	52018P1CR	HOUSING, REAR	ES166,ES278,ES300,S176
	52018P1BR	HOUSING, REAR	S278
16	03-00392-15	SCREW	ES166,ES278,ES300,S166,S176,S278,S300
17	52282P1BS	TUBE HANDLE	S166,S278,S300
	52282P1AA	TUBE HANDLE	ES166,ES278,ES300,S176
18	03-00392-15	SCREW	ES166,ES278,ES300,S166,S176,S278,S300
19	952109G1	BOTTLE DOCKING ASSEMBLY	ES166,ES278,ES300,S166,S176,S278,S300
20	52109P1AQ	BOTTLE DOCKING	ES166,ES278,ES300,S166,S176,S278,S300
21	52024P4	TUBE, ELL FTG/BOTTLE DOCKING	ES166,ES278,ES300,S166,S176,S278,S300
22	52130P1	BAFFLE, COOLING AIR	ES166,ES278,ES300,S166,S176,S278,S300
23	52167P1AQ	CAP, BYPASS	ES166,ES278,ES300,S166,S176,S278,S300
24	52108P1BS	HOUSING, FRONT	S166
	52108P1CM	HOUSING, FRONT	ES166,ES278,ES300,S176,S300
	52017P1BR	HOUSING, FRONT	S278
25	ORDER #69	CADDY	ES300,S176,S300
26	ORDER #69	CLAMP, CADDY	ES300,S176,S300
27	ORDER #69	SCREW	ES300,S176,S300
28	ORDER #69	NUT, MACHINE HEX	ES300,S176,S300
29	952008G12	MOTOR & SEPARATOR ASSY.	ES166,ES278,S166,S176,S278
	952008G11	MOTOR & SEPARATOR ASSY.	ES300,S300
30	52229P1	GASKET, BODY/FRAME	ES166,ES278,ES300,S166,S176,S278,S300
31	952004G2	BLOCK, SUPPLY & FITTING ASSY.	S166,S278,S300,S176
	952004G3	BLOCK, SUPPLY & FITTING ASSY.	ES166,ES278,ES300
32	03-00392-15	SCREW	ES166,ES278,ES300,S166,S176,S278,S300
33	03728	SCREW	ES166,ES278,ES300,S166,S176,S278,S300
34	52041P1	SEAL SEPARATOR	ES166,ES278,ES300,S166,S176,S278,S300
35	52024P2	TUBE, SEP./BOTTLE DOCKING	ES166,ES278,ES300,S166,S176,S278,S300
36	52024P3	TUBE, SEP./SUPPLY CONNECTOR	ES166,ES278,ES300,S166,S176,S278,S300
37	52044P1	SEAL, PORT	ES166,ES278,ES300,S166,S176,S278,S300
38	952200G3	RESERVOIR ASSEMBLY	S278
	952200G4	RESERVOIR ASSEMBLY	S166,S300

REGINA STEEMER

MODELS ES166, ES278, ES300, S166, S176, S278, S300 (PRE 7/15/91 PRODUCTION)

<u>ITEM</u>	<u>PART NUMBER</u>	<u>DESCRIPTION</u>	<u>MODEL NUMBER</u>
38	952200G5	RESERVOIR ASSEMBLY	ES166,ES278,ES300,S176
39	52045P1AQ	CAP, FILL	ES166,ES278,ES300,S166,S176,S278,S300
40	52111P1	GASKET, BODY FRAME	ES166,ES278,ES300,S166,S176,S278,S300
41	03731	SCREW	ES166,ES278,ES300,S166,S176,S278,S300
42	952024G1	TUBE, PINCH KIT	ES166,ES278,ES300,S166,S176,S278,S300
44	52068P1	WIRE, LOWER CONTROL	ES166,ES278,ES300,S166,S176,S278,S300
45	52003P1	TUBE, "Y" CON/THR'T	ES166,ES278,ES300,S166,S176,S278,S300
46	52024P1	TUBE, "Y" CON/ELL	ES166,ES278,ES300,S166,S176,S278,S300
47	52019P1BS	COVER, FRAME	S166,S278,S300
	52019P1CR	COVER, FRAME	ES166,ES278,ES300,S176
48	03731	SCREW	ES166,ES278,ES300,S166,S176,S278,S300
49	52024P6	TUBE, SPRAY HEAD	ES166,ES278,ES300,S166,S176,S278,S300
50	52001P1BS	HOSE CONNECTOR	S166,S278,S300
	52001P1CR	HOSE CONNECTOR	ES166,ES278,ES300,S176
51	52000P2AA	ARM, FLOW CONTROL	ES166,ES278,ES300,S166,S176,S278,S300
52	52002P1	SPRING, FLOW ARM	ES166,ES278,ES300,S166,S176,S278,S300
53	952286G3	AIR DUCT COVER & FRAME ASSY.	ES166,ES278,ES300,S166,S176,S278,S300
54	52086P1CR	STRUT, RIGHT WHEEL	ES166,ES278,ES300,S166,S176,S278,S300
55	52059P1CR	STRUT, LEFT WHEEL	ES166,ES278,ES300,S166,S176,S278,S300
56	52060P2AA	WHEEL	ES166,ES278,ES300,S166,S176,S278,S300
57	03733	SCREW	ES166,ES278,ES300,S166,S176,S278,S300
58	52033P2	PIN, LATCH	ES166,ES278,ES300,S166,S176,S278,S300
59	952072G1	LEVER ASSEMBLY, LATCH	S166,S176,S278,S300
	952072G2	LEVER ASSEMBLY, LATCH	ES166,ES278,ES300
60	52034P1CR	MANIFOLD, AIR (TOP)	ES166,ES278,ES300,S166,S176,S278,S300
61	52036P1AQ	DUCT, WATER	ES166,ES278,ES300,S166,S176,S278,S300
62	03749	SCREW	ES166,ES278,ES300,S166,S176,S278,S300
63	952027G3	NOZZLE ASSEMBLY	ES166,ES278,ES300,S166,S176,S278,S300
64	03729	SCREW	ES166,ES278,ES300,S166,S176,S278,S300
65	52035P1CR	MANIFOLD, AIR (BOTTOM)	ES166,ES278,ES300,S166,S176,S278,S300
66	52037P1AQ	MANIFOLD, WATER	ES166,ES278,ES300,S166,S176,S278,S300
67	952282G8	HANDLE ASSEMBLY	ES166,ES278,ES300,S166,S176,S278,S300
68	952034G2	MANIFOLD ASSEMBLY	ES166,ES278,ES300,S166,S176,S278,S300
69	909049	PREP CADDY PACKAGE	ES300,S176,S300
70	52196P1	PINCH TUBE	ES166,ES278,ES300,S166,S176,S278,S300
71	952212G1	NOZZLE BRUSH	ES300,S300
72	52223P5	OWNER'S MANUAL (NOT SHOWN)	ES166,ES278,ES300,S166,S278,S300
	00947-0970	OWNER'S MANUAL (NOT SHOWN)	S176

vacshopusa.com - Email - Sales@VacshopUSA.com