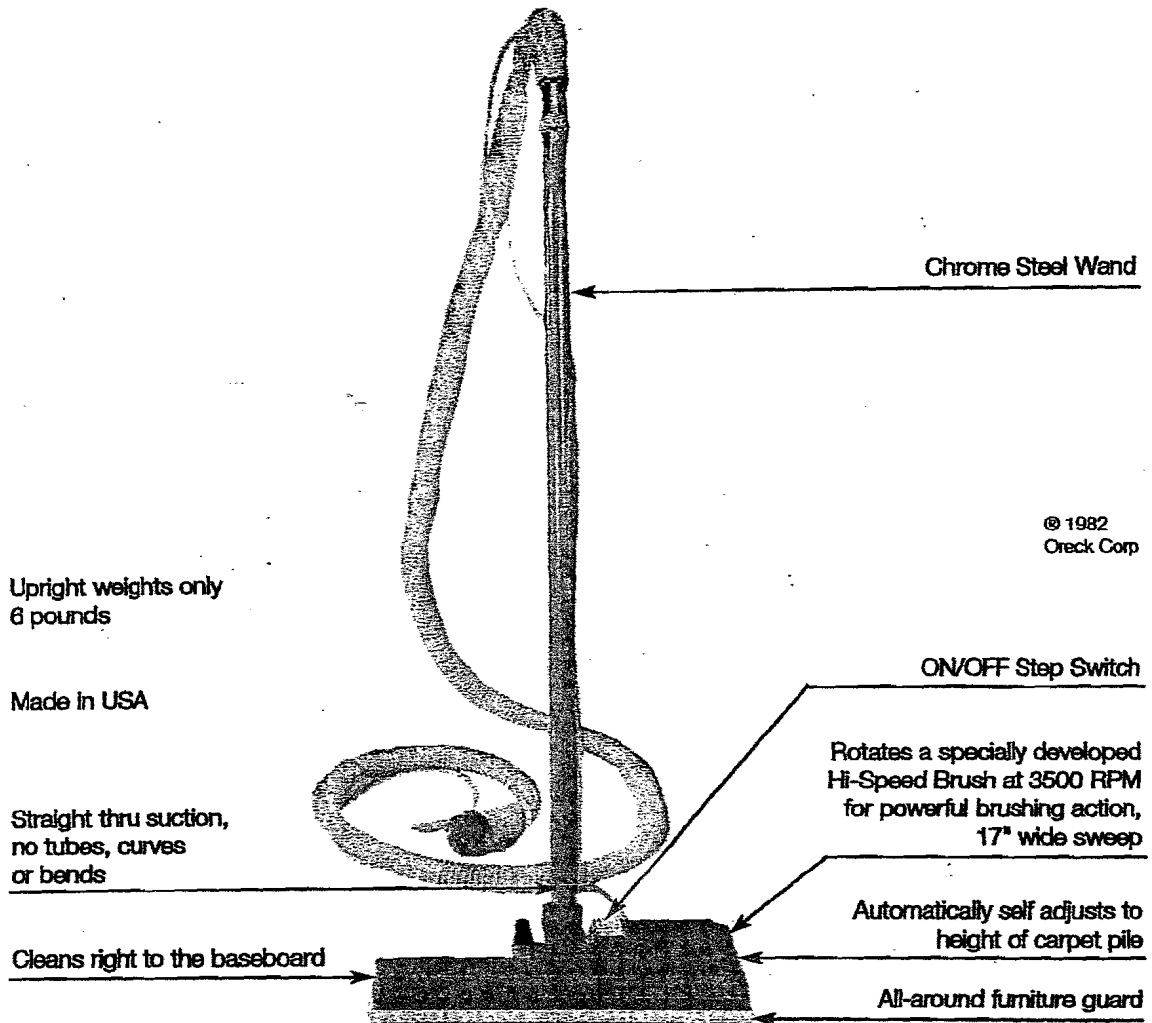


# OPERATING INSTRUCTIONS

Pro Team Sierra CAP175 Commercial  
Power Nozzle Part Schematic

**IMPORTANT: SAVE THIS BOOKLET**

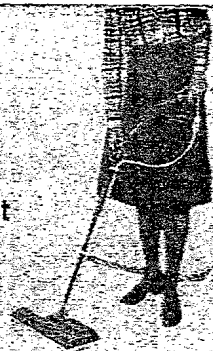


**ALL IT TAKES  
IS JUST 5  
SECONDS  
TO CHANGE  
TO AN UPRIGHT  
AND BACK AGAIN.**

**Detach  
the  
Cleaning  
Tool**



**Attach the  
Upright  
to the Hose  
and Connect  
Power  
Cords**



**CLEANS 50%  
WIDER THAN  
MOST UPRIGHTS**

## TO ASSEMBLE

1. Push lower wand into Ball Knuckle (Parts Number 7155 illustration number 10 on parts list). Be sure button snaps into the hole provided.
2. Push upper wand into lower wand making sure button snaps into hole.
3. Attach vacuum hose to upper wand.
4. Plug in hose cord with cord on power nozzle ( Illustration 5 on parts list).
5. Plug in hose cord to your cleaner or to wall socket if you have a central vacuum system.

## SAFETY RECOMMENDATIONS READ ALL INSTRUCTIONS

### WARNING:

Electrical shock could occur if used outdoors or on wet surfaces

### DISCONNECT POWER CORD FROM ELECTRICAL OUTLET BEFORE SERVICING CLEANER

1. The power nozzle has an exposed revolving brush. Keep long hair, loose clothing, fingers etc from contacting the revolving brush.
2. **DO NOT** operate cleaner in bare feet or when wearing open toe shoes or sandals.
3. **DO NOT** pickup matches, fireplace ashes or smoking materials with cleaner.
4. **DO NOT** use your vacuum cleaner in areas where flammable and or combustible vapors or dust are present. Areas cleaned with cleaning fluids should be allowed to dry completely and ventilated before vacuuming.
5. Switch cleaner "OFF" before removing the power cord from electrical outlet.
6. Use care to avoid running vacuum cleaner over electrical power cord, it may damage insulation.
7. Your vacuum cleaner is not a toy. Do not allow children to play with cleaner.
8. **DO NOT** leave cleaner connected to electrical outlet and leave unattended.
9. Avoid picking up hard, sharp objects with your cleaner. They may damage the cleaner.

## TO ADJUST HEIGHT OF THE POWER UPRIGHT OR CHANGE BELT

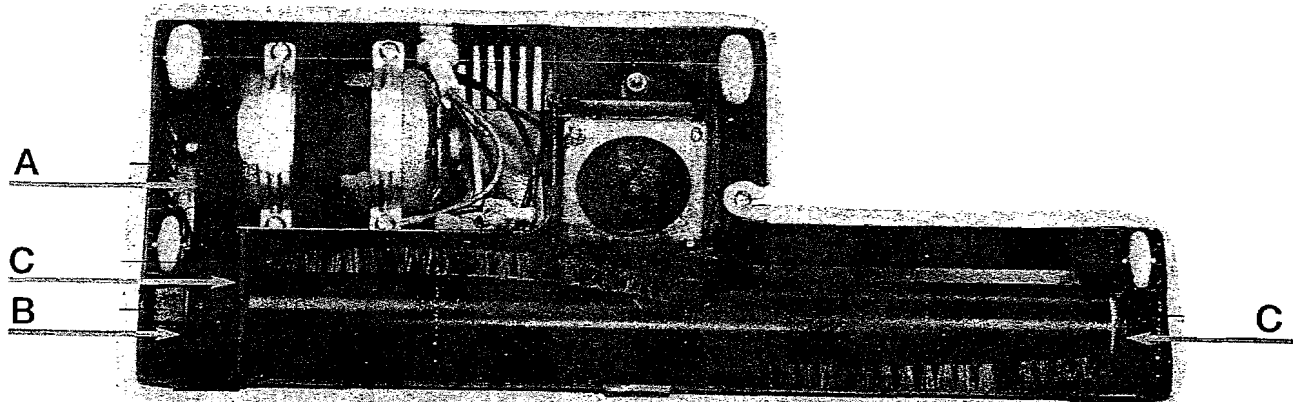
### Important:

Adjust brush height only after Upright has had extensive use.

1. Turn Upright Model over and remove base plate.(To remove, unscrew base plate and lift off.) Observe position of belt (A) and partition (B).
2. Slip belt from motor pulley and remove rotating brush by lifting up.
3. Next, turn movable end pieces (C) from position (1) to position (2)
4. With belt in place on brush and position (2) facing up, on each end, replace brush.
- (A) Moisten black end pieces (C) for easy insertion
- (B) Slide partition (B) into place.
- (C) Insert the belt end of brush into proper slot.
- (D) Keeping the number (2) end pieces pointing up, push the other end of brush into place.
- (E) Be sure black ends are all the way down and level.
5. Replace belt and cover.

**NOTE:** When removing base plate, observe location of partition, belt, black end pieces and numbers.

**NOTE:** Disconnect power cord from electrical outlet before removing baseplate.



## TO CLEAN THE POWER UPRIGHT

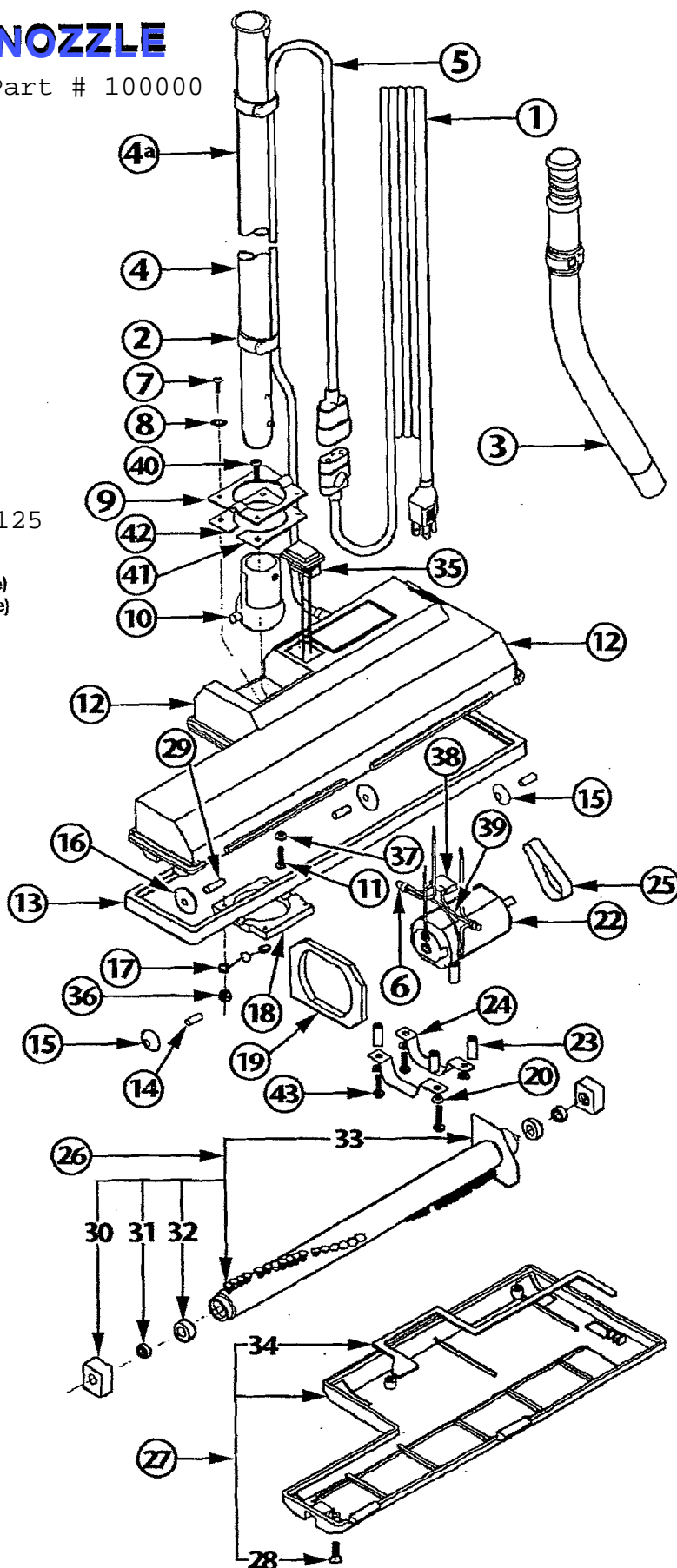
1. **DISCONNECT POWER CORD FROM ELECTRICAL OUTLET.**
  2. **REMOVE BASE PLATE.** Turn rug cleaner base up. Unscrew base plate, and lift off.
  3. **CLEAN BRUSH AND INSIDE OF HOUSING.** Work end of hose handle or crevice tool around bristles, belt and motor.
  4. **REPLACE BASE PLATE**
- NOTE:** At least once a month check revolving brush for excessive strings, lint and hair. Remove this material and wipe with a damp cloth

If there is a part on this Pro Team cap175 part schematic that is not linked to the order cart please e-mail us at sales@vacshopusa.com

# PARTS LIST FOR CAP 175 POWER NOZZLE

Pro Team Power Nozzle Part # 100000

ILLUS NO.	ORECK NO.	DESCRIPTION
1	5758	12' Extension Cord (new style)
1A	6683	12' Extension Cord (old style)
1B	5660	35' Extension Cord (old style)
2	5095	Retainer Straps, 1 1/4"
2A	6345	Retainer Straps, 1 1/2"
3	5313	Curved Elbow w/button, 1 1/4"
3A	3502	Curved Elbow w/button, 1 1/2"
4	5305	Lower Wand w/button
4A	5307	Upper Wand w/button
4B	5306	Upper Tapered Wand w/button
5	6606	Motor Pigtail
6	9040	Wire Connector
7	9392	Clamp Screw
8	9295	Lockwasher
9	6711	Upper Clamp wand retention
10	7155	Ball Knuckle Proteam # 102125
11	5001	Bumper Retainer Screw
12	7278B	Main Housing - Blank (no switch hole)
12A	3741SB	Main Housing - Blank (with switch hole)
12B	3741S	Main Housing - Oreck (with switch hole)
13	7146	Bumper
14	7155	Front Wheel Shaft
15	7150	front Wheel
16	7159	Rear Wheel
17	5010	Spring Wand Retention
18	6712	Lower Clamp
19	6346	Gasket
20	9295	Lockwasher
22	7558	Motor, 115 Volt
22A	3552-230	Motor, 230 Volt
23	6343	Nylon Spacer
24	7144	Motor Clamp
25	6310	Belt
26	6330	Brush Assembly, complete
27	5006	Base Plate Assembly, complete
27A	6665	Base Plate, only
28	5968	Screw
29	7158	Rear Wheel Shaft
30	6903	Bearing Block
31	6666	Felt Dust Seal
32	6637	Ball Bearing
33	7149	Fibre Seal
34	6341	Gasket
35	4164	On/Off Switch
36	4652	Nut w/Lockwasher
37	3440	Washer
38	5185	Capacitor
39	5211	Capacitor Insulator Tubing
40	5187	Ball Clamp Screw
41	5203A	Fibre Spacer, small
42	5203B	Fibre Spacer, large
43	5001	Screw for Motor Clamp



FOR CUSTOMER SATISFACTION,  
WHEN SERVICING,  
USE ONLY GENUINE