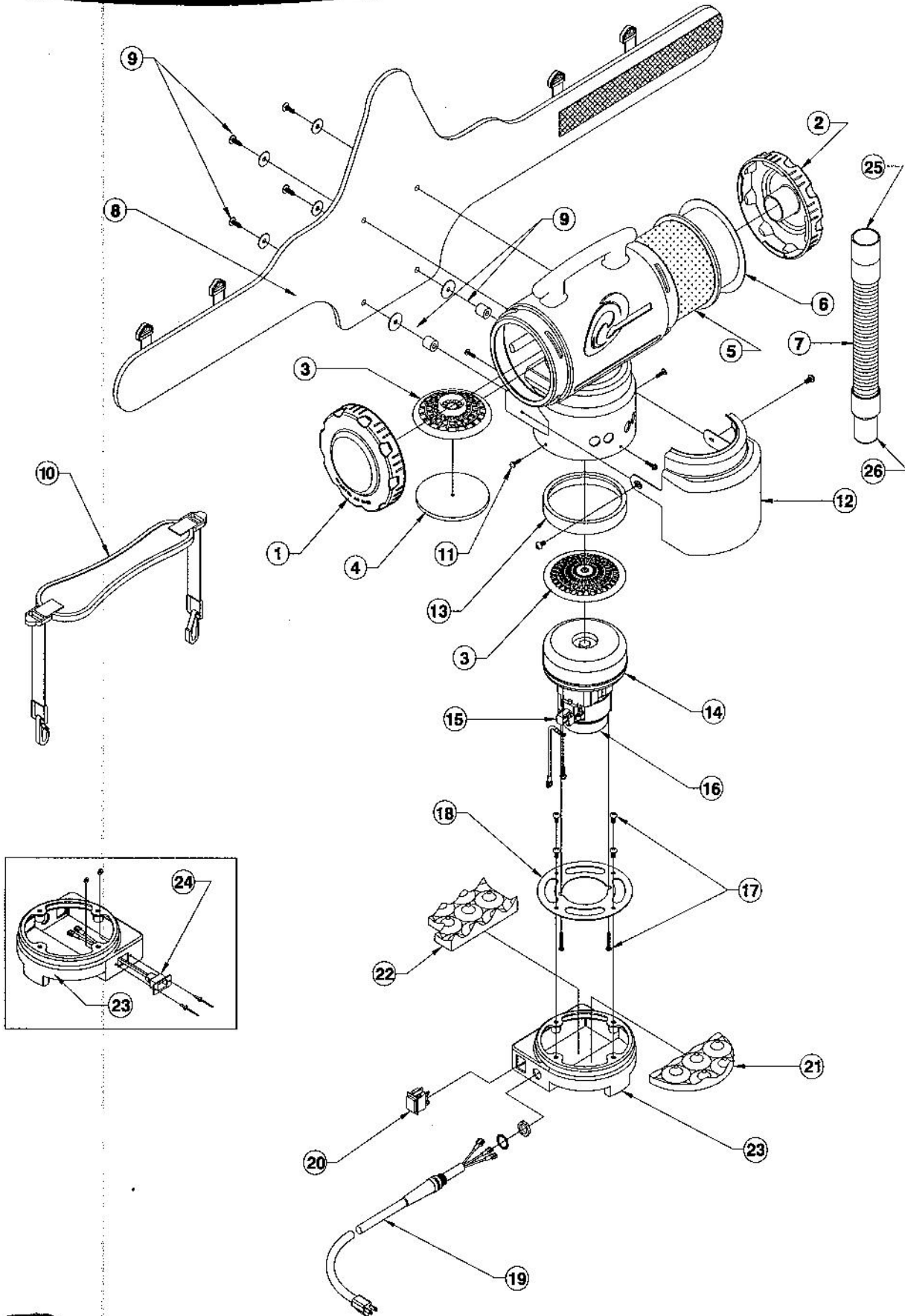


Alpine™ & ProClean



1-800-353-9991

ITEM #		QUANTITY	LIST
1	102956	Blind Twist Cap Assembly (Blue)(Alpine)	1 each 22.00
	101498	Blind Twist Cap Assembly (Green)(ProClean)	1 each 22.00
2	102949	Twist Cap for 1½" Cuff (Blue)(Alpine)	1 each 22.00
	101499	Twist Cap for 1½" Cuff (Green)(ProClean)	1 each 22.00
3	102784	Dome Filter w/Foam Media	1 each 6.00
4	101949	Foam Filter Media for Dome Filter	1 each 1.00
	102761	High Filtration Disc (optional)	2/pack 8.40
5	100564	6 qt. Micro Cloth Filter	1 each 19.00
6	101886	6 qt. Reusable Intercept Micro Filter	10/pack 19.95
	101887	6 qt. Reusable Intercept Micro Filter	5/pack 11.95
7	101184	3' to 1' Stretch Hose w/ Cuffs 1¼" (Black)	1 each 17.50
	101705	3' to 1' Stretch Hose w/ Cuffs 1½" (Black)	1 each 17.50
8	101078	Waist Belt w/Velcro	1 each 39.00
	103025	Retrofit set: Waist belt and monostrap	1 set 45.00
9	101274	Waist Belt Connection Set: 4 Screws, 6 Washers, 2 Stand-offs	1 set 2.50
10	102879	Monostrap Assembly	1 each 15.00
11	101272	Step Cap Screw Kit: 4 Screws	1 set 2.50
12	102954	Deflector Shroud Assembly (Blue) w/ 2 Screws (Alpine)	1 each 20.00
	101753	Deflector Shroud Assembly (Green) w/ 2 Screws (ProClean)	1 each 20.00
13	101098	Motor Seal	1 each 10.00
14	101187	802 Watt Motor/Fan (120 V) w/ Crimps	1 each 59.00
15	101531	Carbon Brush Set for 802 Watt Motor	1 set 16.00
16	101097	Motor Exhaust Housing (old)	1 each 14.50
	103043	Fan and Brush cover kit (new)	1 each 14.50
17	101271	Motor Mount Screw Kit: 2 Long / 4 Short / 4 Shakeproof Washers	1 each 1.50
18	100950	Director Plate	1 each 7.50
19	101861	Power Cord (35' 18/2) Assembly Complete w/ Strain Relief w/Locknut and Washer (Alpine)	1 set 22.00
	100641	Power Cord (18" 16/3) Assembly Complete with Strain Relief with locknut and washer (ProClean)	1 set 14.50
20	100743	Double Pole On/Off Switch	1 each 5.45
21	101228	Front Sound Foam Baffle	1 each 3.50
22	101229	Rear Sound Foam Baffle	1 each 3.00
23	102951	Step Cap (Blue) w/ Power Nozzle Receptacle Hole (Alpine)	1 set 25.00
	101858	Step Cap (Green) (ProClean)	1 set 25.00
24	101953	Receptacle Replacement Kit: 2 Rivets, 2 Washers, 1 Receptacle, 1 Connector and Wire Assembly, 2 Female Crimps	1 each 3.50
25	101437	Replacement Fixed Hose Cuff (Black) 1½" to 1¼"	1 each 4.00
	101536	Replacement Fixed Hose Cuff (Black) 1½" (not shown)	1 each 3.00
26	101436	Replacement Swivel Cuff (Black) 1¼"	1 each 4.00
	100694	Replacement Swivel Cuff (Black) 1½" (not shown)	1 each 3.00

