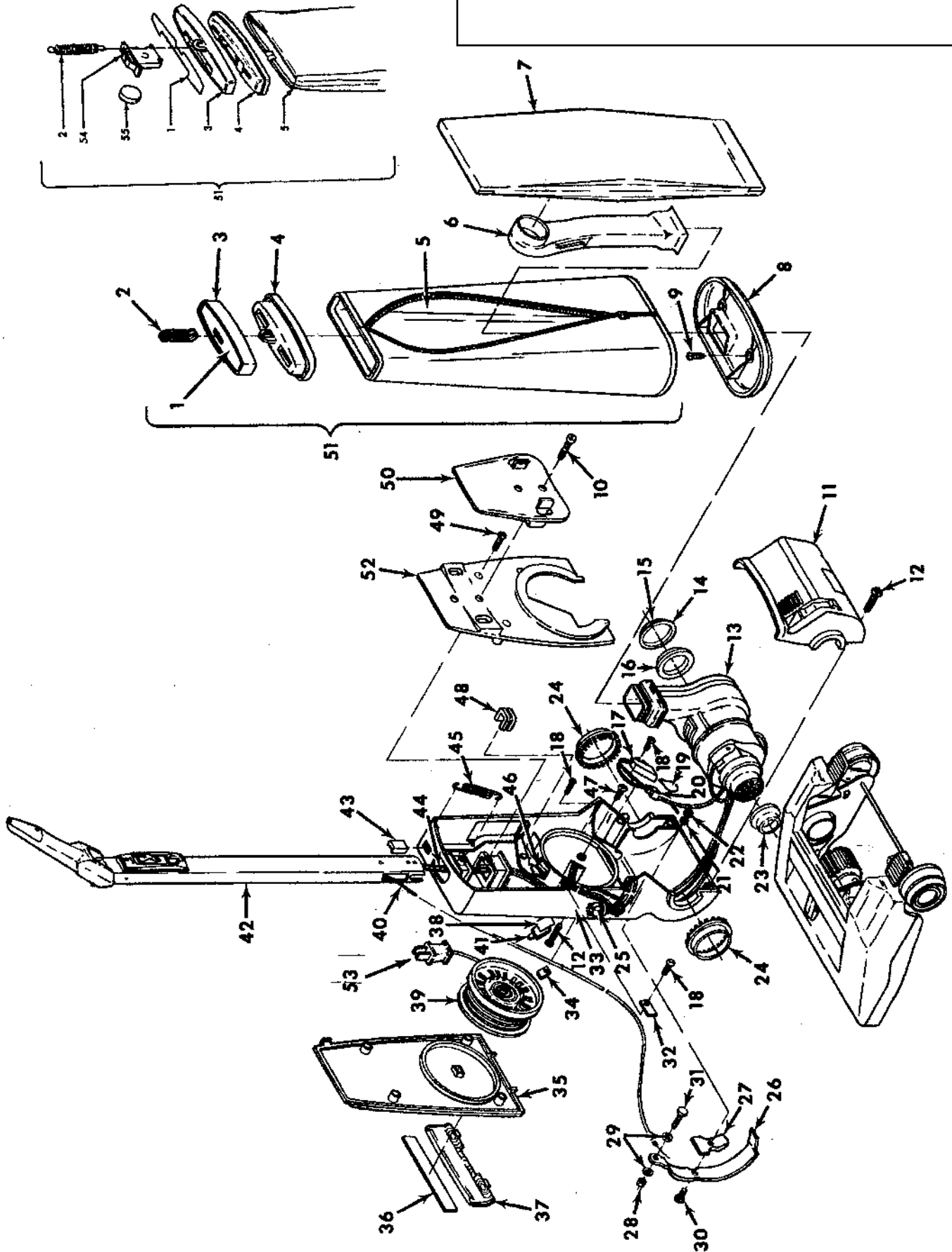


1-800-353-9991
vacshopusa.com
E-mail sales@vacshopusa.com



Front Housing & Bag
 Models U3101, U3103, U3105, U3105-035, U3105-930, U3107, U3109, U3109-100, U3223-9,
 U3225, U3305 U3305-030, U3307, U331

1	51639018	+	Bag Cover Nameplate - U3101 U3103
	51639032	+	Bag Cover Nameplate - U3105, U3105-035, U3107
	51639060	+	Bag Cover Nameplate - U3225 U3305
	51639073	+	Bag Cover Nameplate - U3105-930, U3305-030, U3307
2	38334002		Spring
3	37959055		Bag Cover & Plate - U3101, U3223-9, U3307
	42987003	+	Bag Cover & Plate - U3103
	37959037		Bag Cover & Plate - U3105, U3105-035, U3107, U3109, U3311
	42987013		Bag Cover & Plate - U3225, U3305
	37959033		Bag Cover - U3305-030
	37959051		Bag Cover - U3105-930
	37959064		Bag Cover - U3109-1 00
4	37959095		Hanger - U31 01, U3103, U3105, U3105-035, U3107, U3109, U3109-100, U3223-9, U3225,U3305, U331
	37959090		Hanger - U3105-930, U3305-030, U3307
5	43677323		Outer Bag - U3101, U3103, U3105, U3105-035, U3105-930, U3107,U3109, U3223-9, U3225, U3305, U3305-030, U3109-10
	43677323		Outer Bag - U3307
6	38657010		Top Fill Tube
7	4010001A		Throw Away Bag (3-Pk.)
8	36425008		Jacket Bottom
9	21447012	*	Screw
10	21563001		Screw
11	37195008	+	Motor Cover
	37195006		Motor Cover - U3225, U3305, U3305-030
	37195072		Motor Cover - U3103, U3109, U3311
12	21447013		Screw
13	43576024	+	Motor Assem. (See Detail) - U3109, U3223-9
	43576038		Motor Assem. (See Detail)
	43576084	+	Motor Assem. (See Detail) U3109-100, U3109, U3223-9
14	32155006		Mount Ring
15	32156007		Seal Ring
16	32175011		Motor Mount
17	47176001		Lamp Socket Assem. - All except U3109, U3109-100, U3223-9
18	21447003	*	Screw
19	27313105		Dirt Finder Lamp (2) - All except U3109, U3109-100, U3223-9
20	27617103		Connector - All except U3109, U3109-100, U3223-9
21	19555	*	Washer
22	33423007		Nut
23	32162003		Motor Mount - L.H.
24	38511002		Pivot Bearing
25	12227		Insulated Terminal
26	43143071	+	Actuator Bar Assem.
	43143096		Actuator Bar Assem.
27	38511027		Pivot Bearing
28	21641623	*	Nut
29	160059	+*	Washer
30			Not Applicable - Component of #26
31	160058	+	Bolt
32	34124011	+	Retainer
33	42253135		Front Housing Assem. - MP - U3101
	42253136		Front Housing Assem. - U3103, U3109
	42253137		Front Housing Assem. - U3223-9
	42253080		Front Housing Assem. - U3225, U3311, U3305, U3305-030, U3105, U3105-035, U3105-930, U310
	42253139		Front Housing Assem. - U3307
	42253159		Front Housing Assem. - U3109-100
34	34124011	+	Retainer
35	42253155	+	Front Cover Assem. - U3101
	42253113	+	Front Cover Assem.
	42253114		Front Cover Assem. - U3105, U3105-035, U3105-930, U3107
	42253156	+	Front Cover Assem.
	42253062		Front Cover Assem. - U3225, U3305, U3305-030
	42253063	+	Front Cover Assem. - U3223-9
	42253021		Front Cover Assem. - U3307
	42253174		Front Cover Assem. - U3109-100, U3103, U3109, U3311
36	52115019		Front Cover Nameplate - U3101, U3223-9
	52115016	+	Front Cover Nameplate - U3103, U3109, U3311
	52115031		Front Cover Nameplate - U3105, U3105-035, U3105-930, U3107
	52115080	+	Front Cover Nameplate - U3225, U3305, U3305-030, U3307
	52115133		Front Cover Nameplate - U3109-100

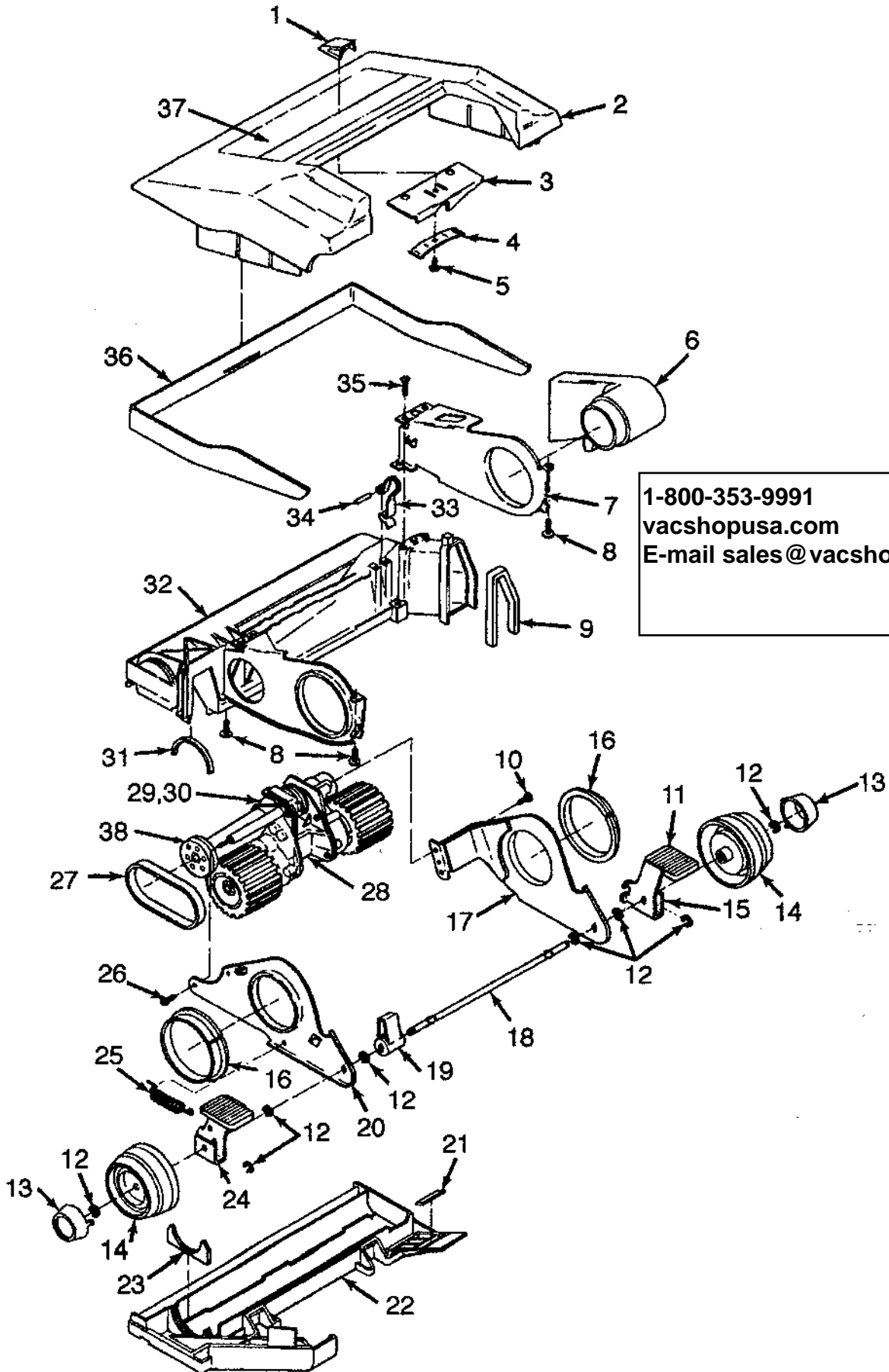
1-800-353-9991
vacshopusa.com
E-mail sales@vacshopusa.com

37	39383024		Lens - KC
	37246096	+	Panel
	37246098		Panel - U3223-9
	37246116		Panel - U3109, U3109-100
38	34165004		Brush Block Insulator - U3101, U3105, U3105-035, U3105-930, U3107, U3225, U3305, U3305-030, U331
39	46831106		Cord Reel Assem. - U3101, U3105, U3105-035, U3105-930, U3107, U3225, U3305, U3305-030, U331
40	66661203		Control Cable Tube
41	47348045		Brush Block Comp. - U31 01, U3105, U3105-035, U3105-930, U3107, U3225, U3305, U3305-030, U331
42	48641052		Handle Tube - U3101, U3105, U3105-035, U3105-930, U3107, U3225, U3305, U3305-030, U3311 (See Detail) (P.89
	48643115	+	Handle Tube (See Detail)
	48643110	+	Handle Tube - U3223-9
	48643147		Handle Tube - U3101, U3109, U3307, U3109-1 00
43	38426033	+	Cord Release Button -U3101, U3105, U3105-035, U3105-930, U3107, U3225, U3305, U3305-030, U331
44	46514001	+	Lead Wire Assm. - U3101, U3105, U3105-035, U3105-930, U3107, U3225, U3305, U3305-030, U3307, U331
	46312014	+	Lead Wire Assm. - U3109, U3109-100, U3223-9
45	38333006		Tension Spring - U31 01, U3105, U3105-035, U3105-930, U3107, U3225, U3305, U3305-030, U331
46	34121007		Pad - Cemented (Original Design) - U3101, U3105, U3105-035, U3107, U3225 - Not Interchangeable w/3622200
	36222008		Pad - Force Fit (New Design) - U3101, U3105, U3105-035, U3105-930, U3107, U3225, U3305, U3305-030, U3311 - Not Interchangeable w/3412100
47	160862	+	Screw (Cord Reel w/Tapped Hole)
	21447003		Screw (Cord Reel w/Untapped Hole)
48	36218007		Ferrule - U3101, U3105, U3105-035, U3105-930, U3107, U3225, U3305, U3305-030, U331
49	21447020		Screw
50	36425012		Jacket Support
51	43677208	+	Outer Bag Comp.
	43677150	+	Outer Bag Comp.
	43677323		Outer Bag Comp. - U3101, U3103, U3109, U3311, U3225, U3305, U3105, U3105-035, U310
	43677274	+	Outer Bag Comp.
	43677324	+	Outer Bag Comp. - U3105-930, U3305-030, U3307
	43677279	+	Outer Bag Comp.
	43677320	+	Outer Bag Comp. - U3109-100
52	37257120	+	Rear Housing Cover - U3103, U3109, U3311
	37257125		Rear Housing Cover - U3105, U3105035, U3105-930, U3107, U3109-1 00, U330
	37257156	+	Rear Housing Cover
53	0M100206		Attachment Cord - 25 Ft.
	46363195		Cord - 20 Ft. - U3109, U3109-100, U3223-9, U3307
54	35111002		Drawer - AG - U3105-930, U3305-030, U3307
55	57363003		Air Freshener Tablet (4-Pk.) - Spring Bouquet

ITEMS NOT ILLUSTRATED

170975	+	Wrench - Special (This is a 1/2", 12 point, Deep offset box wrench used o
34337001	+	Bag Gasket (2) (Use in conjunction w/ Item 50)
46831076		Commutator (Component of Cord Reel Assem.)

1-800-353-9991
vacshopusa.com
E-mail sales@vacshopusa.com



1-800-353-9991
vacshopusa.com
E-mail sales@vacshopusa.com

Agitator Housing
Models U3101, U3103, U3105, U3105-035, U3105-930,
U3107, U3109, U3109-100, U3223-9, U3225, U3305, U3305-030, U3307, U3311

1	38421023	+	Nozzle Adj. Lever
	38421027		Nozzle Adj. Lever - U3101, U3103, U3105, U3105-035, U3105-930, U3107, U3109, U3223-
	38421026	+	Nozzle Adj. Lever
	36421028		Nozzle Adj. Lever - U3311
	38421029	+	Nozzle Adj. Lever - U3225, U3305, U3305-030
	38421036	+	Nozzle Adj. Lever - U3307
	38421038	+	Nozzle Adj. Lever - U3109-100
2	37253037	+	Hood
	37253114	+	Hood
	37253239		Hood- U3307
	37253133	+	Hood
	37253239		Hood
3	38563015		Cam
4	34751002		Detent Spring
5	21447015	*	Screw
6	38656023		Air Duct
7	35476027		Agitator Housing Bracket - R.H.
8	21447014	*	Screw
9	34123003		Duct Seal
10	16295	*	Screw
11	38426030		Foot Pad
	38426028	+	Foot Pad
12	13730	*	Lock Ring (Use 8 on Models w/Metal Handle Rel. Levers; Use 4 on Models w/Plastic Handle Rel. Levers)
13	37912013		Wheel Cover
	169242		Wheel Cover - U3105, U3105-035, U3105-930, U3107, U3225, U3305, U3305-03
14	38522032		Rear Wheel
	38522018	+	Rear Wheel
15	38452059		Handle Release Lever - R.H. (Plastic) - AG - U3103, U3109, U3311, U3225, U330
	43131019	+	Handle Release Lever - R.H. (Metal)
	36131018		Spring Retainer (Use on U3109, U3109-1 00 Models w/o Handle Rel. Lever - R.H.)
16	32155004		Pivot Bearing
17	41967004		Frame Assm. - R.H.
18	32547002		Rear Axle
19	38452048	+	Handle Release
20	35476012		Frame - L.H.
21	34122019	*	Bottom Plate Duct Seal
22	42245039	+	Bottom Plate Assm.
	37245087		Bottom Plate
23	38781006		Agitator Pulley Seal
24	38452071		Handle Release Lever - L.H. (Plastic) - AG
25	161513		Spring (2)
	38335014		Spring (2) - U3109-1 00
26	16295	*	Screw
27	160147AG		Belt
28	43124009		Power Drive Unit
29	163699	*	Retaining Ring
30	31142014	+*	Roller
31	12173	*	Seal
32	42246064		Agitator Housing Assm.
33	34788001		Agitator Clip
34	31522016		Agitator Clip Pin
35	21447003	*	Screw
36	36235020	+	Furniture Guard - U3103
	36235028	+	Furniture Guard
	36235082		Furniture Guard
37	52115113		Hood Nameplate - U3101
	51831001	+	Hood Nameplate - U3103
	52115117		Hood Nameplate - U3105, U3105-035, U3105-930, U3107
	52115146	+	Hood Nameplate - U3109, U3311
	52115116		Hood Nameplate - U3223-9, U3225, U3305, U3305-030, U3307
	52115153		Hood Nameplate - U3109-100
38	38537001		Drive Pulley

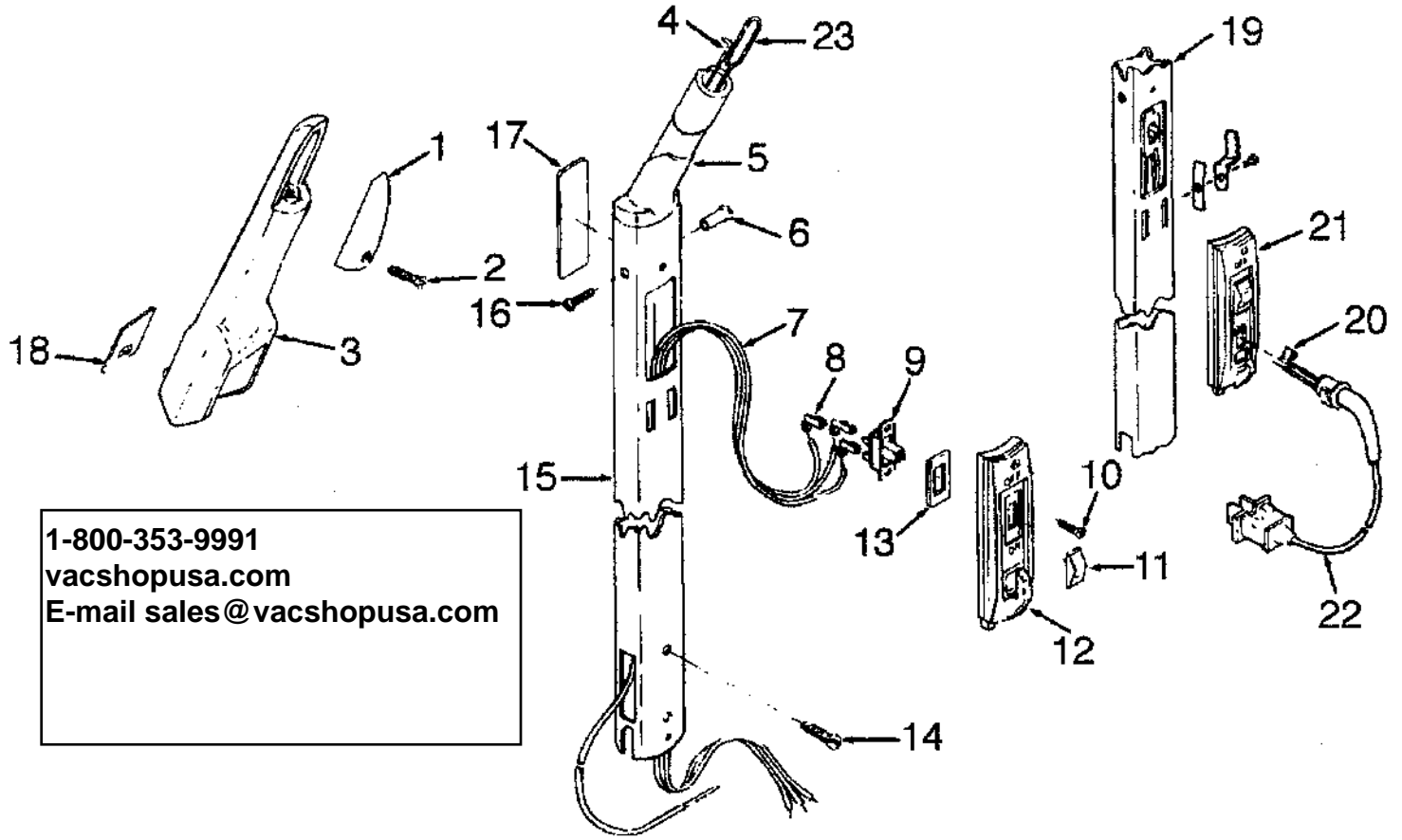
1-800-353-9991
vacshopusa.com
E-mail sales@vacshopusa.com

PACKAGING MATERIAL

56511061		Owner Manual
56511247	+	Owner Manual - U3307
58366094		Carton - Common - Concept w/PD
58366045	+	Carton - U3223-9
58366044	+	Front, Top & Bottom Support - U3225
58219007	+	Front, Top & Bottom Support
58385012	+	Tool Carton & End Support

ITEMS NOT ILLUSTRATED

21312777	+	Washer (2) Use on Models w/Plastic Handle Rel. Levers between Rear
160031	*	Nut (Power Drive Unit - Drive Shaft/ Drive Pulley)



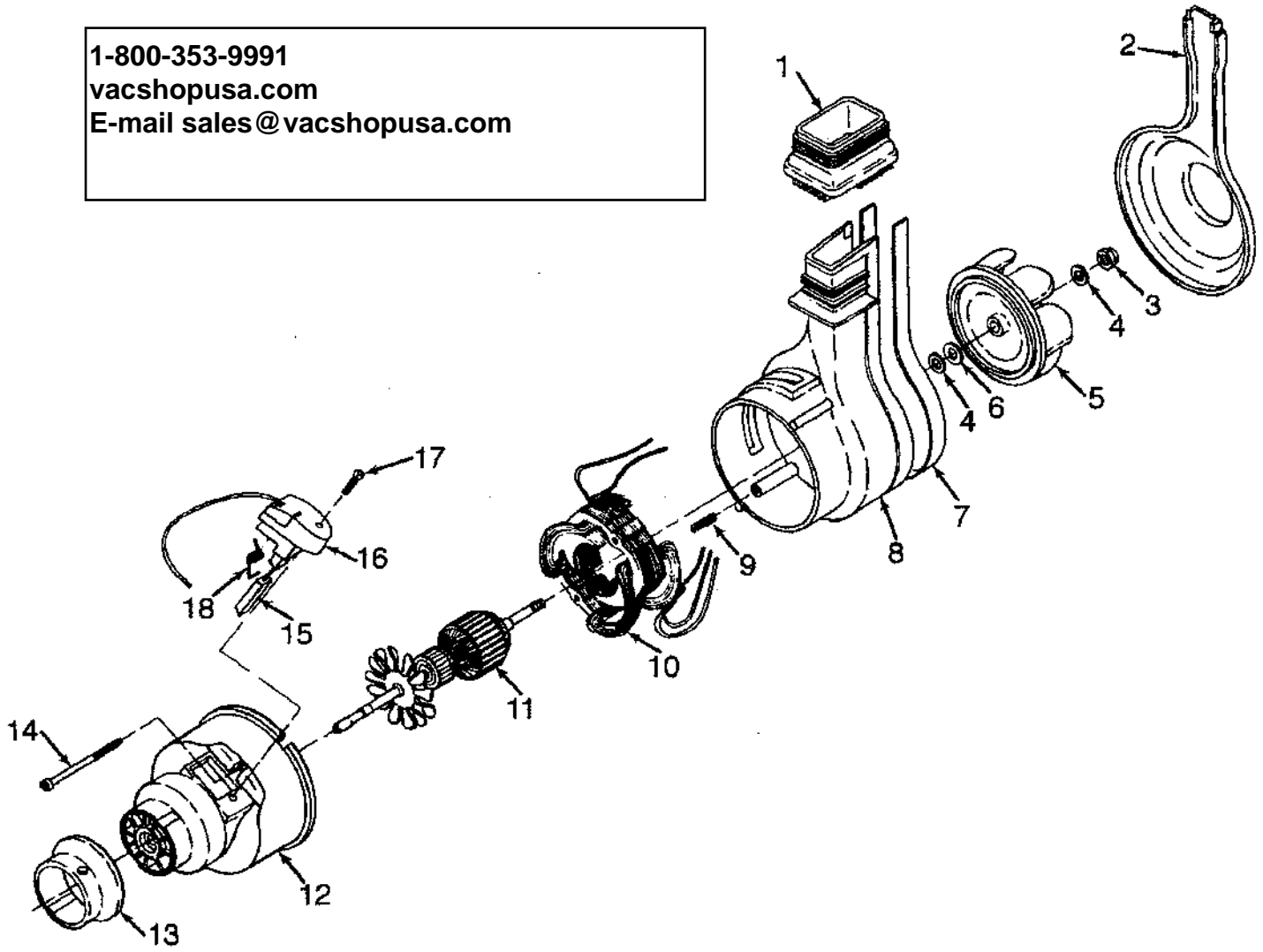
1-800-353-9991
vacshopusa.com
E-mail sales@vacshopusa.com

Handle
Models U3101, U3103, U3105, U3105-035, U3105-930, U3107, U3109, U3109-100, U3223-9,
U3225, U3305, 3305-030, U3307, U331

1	160092KH	+	Handle Cap
	160092LU	+	Handle Cap
	37258044		Handle Cap
	160092LT	+	Handle Cap
	160092HR	+	Handle Cap
	160092AG		Handle Cap
2	21575001		Screw
3	48663019	+	Handle Assm.
4	43211010		Control Cable
5	36957006		Handle Support - AG
6	32258010		Nut - Special
7	46514001	+	Lead Wire Assm.
	46312014	+	Lead Wire Assm. - U3109, U3109-100, U3223-9
8	27666702		Terminal
9	28179022		Switch
	281770KD		Switch - U3109, U3223-9
	28177023		Switch - U3109-100
10	21465314		Screw
11	38421012		Switch Button
12	37258068		Switch Cover - LY - U3225, U3301, U3305, U3305-030
13	34138006		Switch Pad
14	21563001		Screw
15	48641048	+	Handle Tube
	48641052		Handle Tube (Incl. It. 5, 23)
16	18805		Screw - Special
17	51639023	+	Handle Tube Nameplate - U3101
	51639065		Handle Tube Nameplate - U3103, U3311
	51639033	+	Handle Tube Nameplate - U3105 U3105-035, U3105-930, U3107
	51639057		Handle Tube Nameplate - U3225, U3305, U3305-030, U3307
18	51638010	+	Handle Nameplate - U3101, U3223-9
	51638024		Handle Nameplate - U3103, U3109, U331 1, U3225, U3305, U3305-030, U330
	51638013	+	Handle Nameplate - U3105, U3105-035, U3105-930, U3107
	51638018	+	Handle Nameplate
	51638041		Handle Nameplate - U3101, U3109-100, S3223-9
19	48643115	+	Handle Tube
	48643110	+	Handle Tube & Cord Release Assm.- U3223-9
	48643147		Handle Tube & Cord Release Assm.- U3103, U3109, U3109-100, U3307
20	27666702		Terminal - U3103, U3109, U3109-100, U3223-9
21	37258112		Switch Cover - U3103, U3109, U3307, U3223-9
	37258112		Switch Cover - U3109-1 00
22	46363195		Cord - U3103, U3109, U3109-100, U3223-9, U3307
23	160095AY		Tension Wire

1-800-353-9991
vacshopusa.com
E-mail sales@vacshopusa.com

1-800-353-9991
vacshopusa.com
E-mail sales@vacshopusa.com



Motor
Models U3101, U3103, U3105, U3105-035, U3105-930, U3107, U3109, U3109-100, U3223-9,
U3225, U3305, U3305-030, U3307, U3311, U4201, U4203, U4205, U4209, U421

1	38785002		Seal
2	38736015		Fan Cover Assem.
3	33426001		Nut
4	166563		Washer (2)
5	38755003		Fan
6	166563		Washer - Heat Insulation
7	54821001		Tape
8	43588001		Fan Chamber Assem
9	12854		Spring
10	45317007		Field Assem. Comp.
	45312032		Field Assem. Comp. - U3109, U3109-100, U3223-9
	45317026		Field Assem. Comp. - U4219
11	44765065		Armature Assem. Comp.
	44765210		Armature Assem. Comp. - U4219
	44765213		Armature Assem. Comp.
12	42193004		Motor Housing Assem.
13	32162003		Motor Mount
14	21479573		Screw
15	167681		Brush & Terminal Assem.
	47315010		Brush & Terminal Assem. U3109-100, U4219
16	168457	+	Brush Carrier Assem.
	47318008		Brush Carrier Assem.
17	21479302	+*	Screw
18	38353004		Spring
	43576024	+	Motor Assem. Comp. (1 -Speed)
	43576038		Motor Assem. Comp. (2-Speed)
	43576068		Motor Assem. Comp. - U4219
	43576084	+	Motor Assem. Comp. - U3109-100, U3109, U3223-9