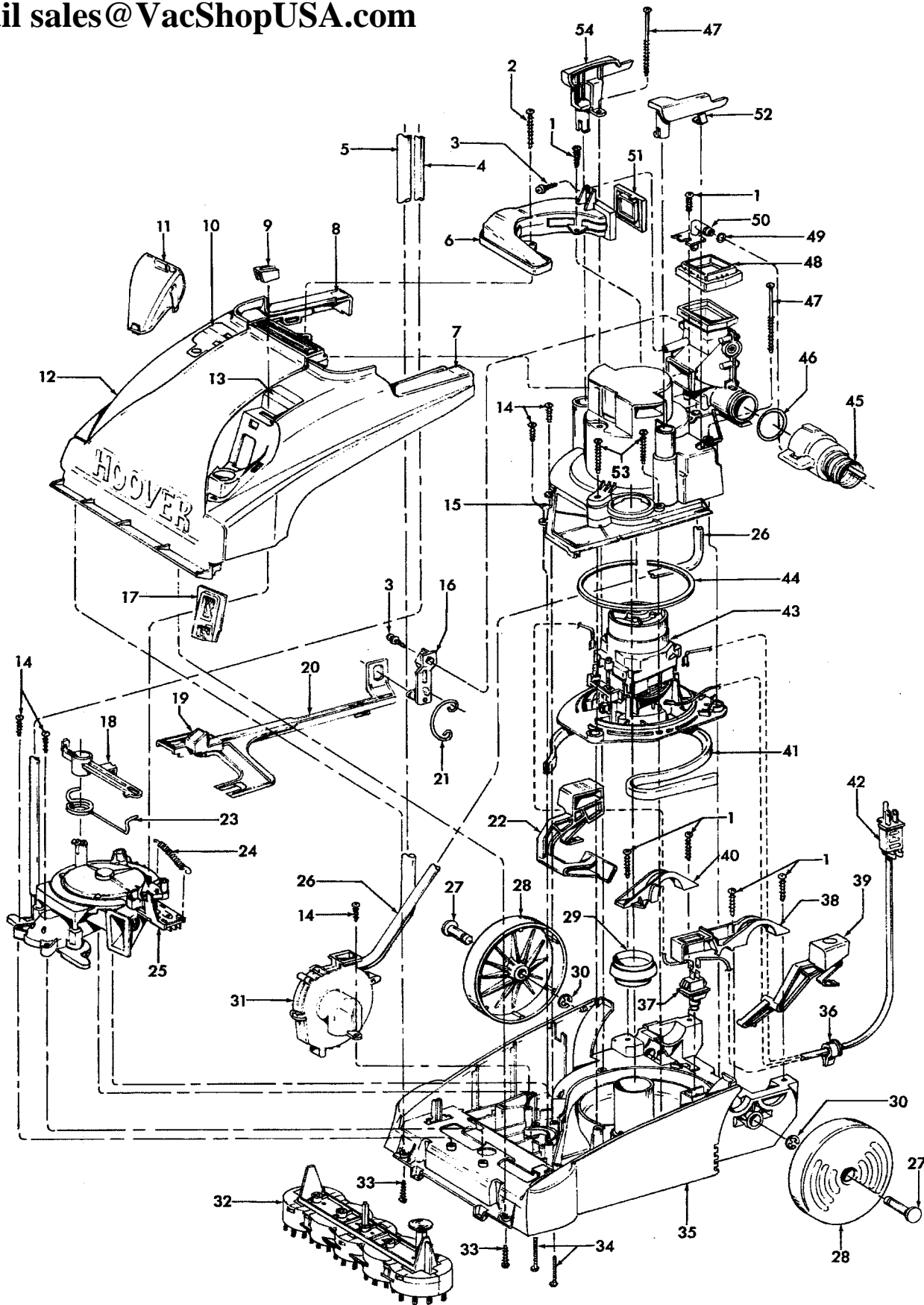


1-800-353-9991

vacshopusa.com

E-mail sales@VacShopUSA.com



1	21447003	*	Screw
2	21447247		Screw
3	23149002		Screw
4	40309002		Tubing Assembly
5	40309002		Tubing Assembly
6	43466071		Duct
7	51865024	*	On Off Label
8	51638055	*	Handle Release Label
9	38421093		Indicator Knob
10	51438006		Nameplate - Tool Mode
11	39383106		Lens
12	37271058		Hood - ACM (Incl. It. 11, 17) - F5892-900, F5892-950
	37271059		Hood - ADD (Incl. It. 11, 17) - F5894-900
	37271048		Hood - AAY - F5896-950
	37271079		Hood - ABR - (Incl. It. 11, 17) - F5899-900
	37271081		Hood - AFF - F5898-900
	37271063		Hood - AG (Incl. It. 11, 17) - F5895-900, F5893-900
	37271080		Hood - AES - F5897-900
13	51855031		Brush Speed Nameplate
14	21447217	*	Screw
15	42191010		Motor Cover / Valve Assembly
16	36439001		Valve Crank Arm
17	43613009		Screen Assembly
18	N/A		
19	51611008	*	Indicator Label - Green
20	38458024		Turbine Actuator Arm
21	36132003		Over Center Spring
22	38458042		Handle Release Lever
23	38356013		Spring
24	38333009		Spring
25	43191003		Turbine Assembly (Incl. It. 18, 23, 24)
26	40309003		Tubing Assem.
27	32434007		Rear Axle (2)
28	38522076		Rear Wheel (2)
29	38784063		Standpipe Seal
30	160017	*	Lock Ring
31	43582005		Pump Assembly
32	48437022		Brush Block
33	21447072	*	Screw (2)
34	21479438	*	Screw (2)
35	37272088		Main Body
	37272090		Main Body - F5893-900, F5897-900, F5898-900, F5899-900
36	36172016		Cord Retainer
37	28218048		Switch
38	36131086		Trunnion Cover - L.H.
39	38434025		Switch Actuator Lever
40	36131085		Trunnion Cover - R.H.
41	38781048		Motor Base Seal
42	46583044		Cord (use with Hoover Motor)
	46583056		Cord - 30' (Use with 12 amp Ametek Motor)
43	43576202		Motor (Hoover)
	27212051		Motor - 12 Amp Ametek - F5893-910, F5897-900, F5898-900, F5899-900
	41311016		Motor Brush (Fits Hoover Motor)
44	34113004		Motor Seal
45	43436011		Hose Assem (w/ release tab)- See page 80 for hose parts.
	43436016		Hose Assembly - F5893-910, F5897-900, F5898-900, F5899-900
46	25156518		"O" Ring
47	21447246		Screw
48	38783023		Valve Tank Seal
49	25156517	*	"O" Ring
50	38719039		Solution Hose Coupler
51	38783024		Valve Duct Seal
52	36151021		Latch Lock - LH
53	21447232	*	Screw (2)
54	36151020		Latch Lock - RH

**1-800-353-9991**

**vacshopusa.com**

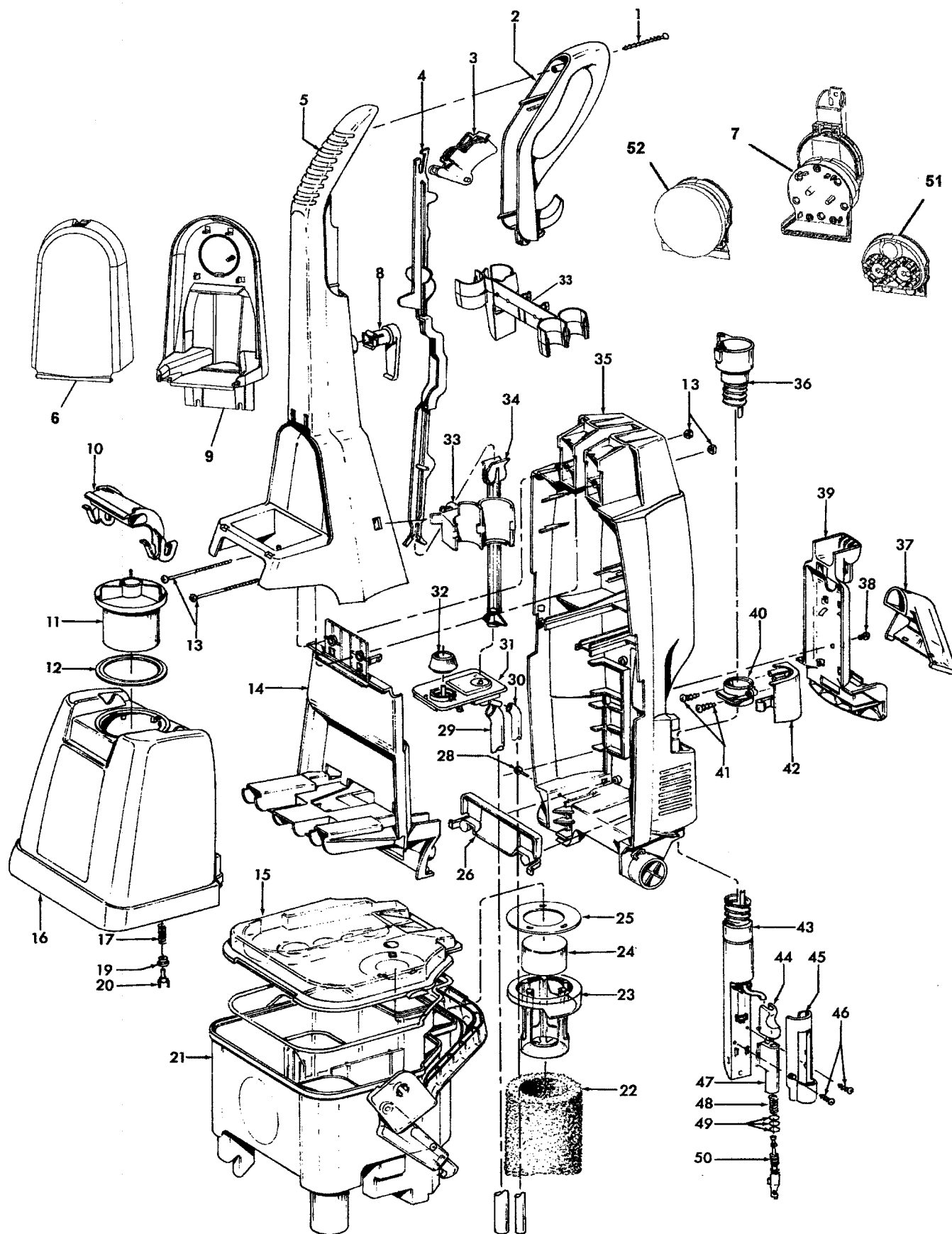
**E-mail sales@VacShopUSA.com**

Items not illustrated

49811079	Lead Wire - White (From white cord lead to motor) F5893-910, F5897-900, F5898-900, F5899-90
49811081	Lead Wire - Black (From black cord lead to switch) F5893-910, F5897-900, F5898-900, F5899-90
49811087	Lead Wire - Light Blue (From switch to motor) F5893-910, F5897-900, F5898-900, F5899-90

**1-800-353-9991 [vacshopusa.com](http://vacshopusa.com) E-mail [sales@VacShopUSA.com](mailto:sales@VacShopUSA.com)**

1-800-353-9991 [vacshopusa.com](http://vacshopusa.com) E-mail [sales@VacShopUSA.com](mailto:sales@VacShopUSA.com)



SteamVac LS

Models F5892-900, F5892-950, F5893-900, F5894-900, F5895-900

1	21447248		Screw
2	39458006		Handle Lever Guard
3	38434028		Trigger
4	38458037		Upper Control Rod
5	39466004		Upper Handle - (Incl. It 1,2,3,4,8)
	39466049		Upper Handle - (Incl. It. 1,2,3,4,8) F5893-910, F5897-900, F5898-900, , F5899-90
6	37276012		Tool Door
7	48439003		Turbine Nozzle (Inc. Item 51)
8	39442041		Cord Wrap
9	36433142		Tool Holder - ADA - F5892-900, F5894-900, F5896-950
	36433141		Tool Holder - ACZ -F5893-910, F5895-900, F5897-900F5898-900, F5899-90
10	39457016		Solution Tank Handle
11	42272002		Solution Tank Cap (inc. item 12)
12	38784062		Gasket
13	40201154		Handle Hardware Assembly
	40201171		Handle Hardware Assembly - F5893-910, F5897-900, F5898-900, F5899-900
14	37276002		Handle Cover
15	42272120		Lid Assem. (Incl. it. 22,23,24,25)
16	42272115		Solution Tank Assem. (Incl. It. 10, 11, 12, 17, 18, 19, 20)
	42272134		Solution Tank Assem. (Incl. It. 10, 11, 12, 17, 18, 19, 20) F5893-910, F5897-900, F5898-900, F5899-90
	42272134		Solution Tank Assem. (Incl. It. 10, 11, 12, 17, 18, 19, 20) - F5895-90
17	38312014		Spring
18			
19	38784061		Valve Seal
20	38717009		Valve Stem
21	38777037		Recovery Tank - (Incl. It. 15)
	38777065		Recovery Tank - (Incl. It. 15) - F5893-910, F5897-900, F5898-900, F5898-900, F5899-90
	38777058		Recovery Tank - (Incl. It. 15) - F5895-900
22	43611041		Tank Filter
23	38719027		Float Retainer
24	25661016		Float
25	38784070		Seal
26	37276010		Solution Tube Cover
27	21378162	+	Retaining Clip
28	21447244		Screw - Special
29	40309002		Service Tubing
30	40309002		Service Tubing
31	43516008		Reservoir Assem. (Incl. It. 32)
32	38784060		Solution Tank Seal
33	36172005		Hose/ Nozzle Holder
	36433129		Hose / Nozzle Holder w/ Holster - F5893-910, F5897-900, F5898-900, F5899-90
34	38458033		Control Rod Lower
35	39466037		Lower Handle
36	43436011		Hose Assem. (Incl. It. 33 & 37 thru 50) (w/o release tab)
	43436016		Hose Assembly - (Incl. It. 33 & 37 thru 50) F5897-900, F5893-910, F5898-900, F5899-90
37	38613040		Nozzle Body (w/ release tab)
38	21447041	*	Screw
39	36433131		Tool Rack - Lower
40	36171032		Hose Clamp
41	21447228	*	Screw (2)
42	36131097		Hose Cover
43	43436011		Hose Assem. (Incl. It. 33 & 37 thru 50) (w/o release tab)
	43436016		Hose Assembly - (Incl. It. 33 & 37 thru 50) F5893-910, F5897-900, F5898-900, F5899-90
44	38433074		Trigger
45	37276006		Wand Cover
46	21447239	*	Screw
47	43513011		Wand/ Valve Assembly

48	38312019	Spring
49		O ring (Included with item 50)
50	43412007	Nozzle Valve Assembly
51	48437027	Upholstery Module Assem.
52	48437028	Scrub Module Assem.
Accessories		
	48417003	Bare Floor Tool - All Models
	57333016	Carpet Solution - 16 oz.- All Models
	N/A	Bare Floor Solution -16
	40303032	Bare Floor Solution - 32 oz.
	39514001	Nozzle Clean Out Tool - F5895-900, F5899-900
	38617028	Crevice Tool - F5893-900, F5893-910
Packaging Material		
	56518116	Owner Manual
	56518124	Owner Manual - F5893-900, F5893-910, F5896-950
	58176105	Carton - F5896-950
	58176023	Carton - Common (plain brown)
Scrub & Upholstery Nozzle Parts		
	38613038	Nozzle Body
	48434003	Brush Assembly (2 req'd)
	40308001	Scrub Pad Poly Pack
Items Not Illustrated		
	49811039	Lead Wire
	48445003	Brush Back Assem.
	38717013	Check Valve (Tank Cap)

**1-800-353-9991 [vacshopusa.com](http://vacshopusa.com) E-mail [sales@VacShopUSA.com](mailto:sales@VacShopUSA.com)**