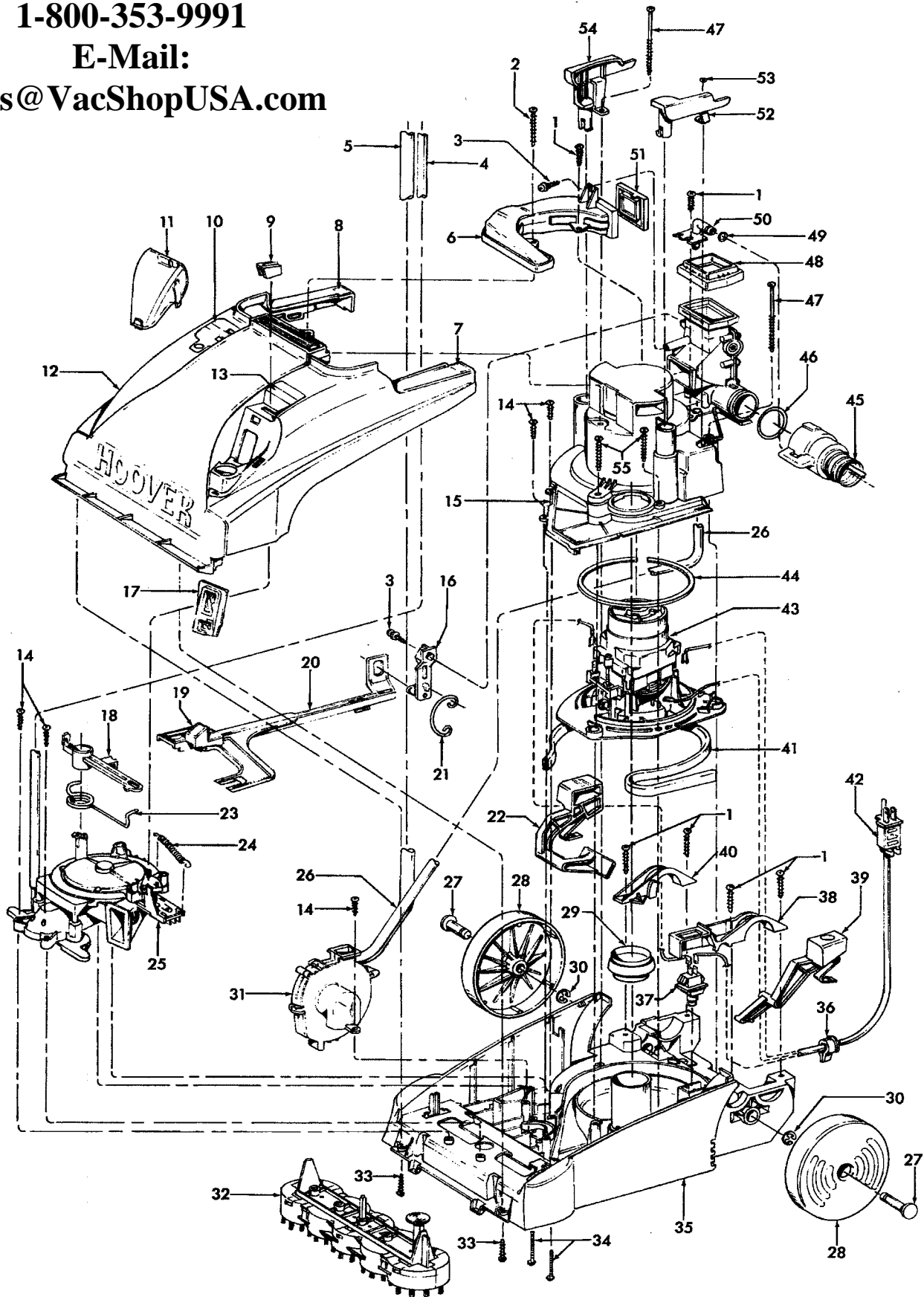


SteamVac III
Models without five rotating brushes F5837-900,****F5837-960, F5839-900
Models with five rotating brushes F5864-900, F5865-900, F5867-900, F5868-900,
F5869-900, *** F5869-960, F5869-990, F5871-900, F5873-900, F5875-900, F5881-90

VacShopUSA.com
1-800-353-9991
E-Mail:
Sales@VacShopUSA.com



SteamVac III

Models without five rotating brushes F5837-900,*****F5837-960, F5839-900

Models with five rotating brushes F5864-900, F5865-900, F5867-900, F5868-900,

F5869-900, *** F5869-960, F5869-990, F5871-900, F5873-900, F5875-900, F5881-90

1	21447003	*	Screw
2	21447247		Screw
3	23149002		Screw
4	40309002		Tubing Assembly
5	40309002		Tubing Assembly
6	43466071		Duct
7	51865024	*	On Off Label
8	51638055	*	Handle Release Label
9	38421093		Indicator Knob
10	51438006		Nameplate - Tool Mode
11	39383106		Lens
12	37271045		Hood - (Incl. lt. 11, 17) - F5837-900
	37271046		Hood - (Incl. lt. 11, 17) - F5839-900
	37271055		Hood - (Incl. lt. 11, 17) - F5865-900
	37271047		Hood - (Incl. lt. 11, 17) - F5867-900
	37271050		Hood - (Incl. lt. 11, 17) - F5885-980
	37271051		Hood - (Incl. lt. 11, 17) - F5868-900
	37271052		Hood - (Incl. lt. 11, 17) - F5869-900
	37271054		Hood - (Incl. lt. 11, 17) - F5871-900
	37271055		Hood - (Incl. lt. 11, 17) - F5873-900
	37271064		Hood - (Incl. lt. 11, 17) - F5875-900, F5870-900
	37271049		Hood - (Incl. lt. 11, 17) - F5881-900
	37271043		Hood - (Incl. lt. 11, 17) - F5883-900
	37271048		Hood - (Incl. lt. 11, 17) - F5884-900
	37271076		Hood - ACH - (Inc. lt. 11, 17) - F5872-900
	37271077		Hood - NAA - (Inc. lt. 11,17) - F5878-900
	37271067		Hood - (Incl. lt. 11, 17) - F5864-900
13	51855031		Agitator Speed Label
14	21447217	*	Screw
15	42191005		Motor Cover/ Valve Assembly F5837-900, F5839-900
	42191010		Motor Cover / Valve Assembly
16	36439001		Valve Crank Arm
17	43613009		Screen Assembly
18	N/A		
19	51611008	*	Indicator Label - Green
20	38458050		Turbine Actuator Arm -F5837-900, F5839-900
	38458024		Turbine Actuator Arm - All models except F5837-900, F5839-900
21	36132003		Over Center Spring
22	38458042		Handle Release Lever
23	38356013		Spring
24	38333009		Spring
25	43191003		Turbine Assembly - models with five rotating brushes (Incl. lt. 18, 23, 24
26	40309002		Tubing Assem.
27	32434007		Rear Axle (2)
28	38522076		Rear Wheel (2)
29	38784063		Standpipe Seal
30	160017	*	Lock Ring
31	43582005		Pump Assembly
32	48437022		Brush Block
33	21447072	*	Screw (2)
34	21479438	*	Screw (2)
35	37272095		Main Body- F5837-900, F5839-900
35	37272088		Main Body - All models except F5837-900, F5839-900
	37272090		Main Body - F5872-900, F5878-900
36	36172016		Cord Retainer
37	28218048		Switch
38	36131086		Trunnion Cover - L.H.
39	38434025		Switch Actuator Lever
40	36131085		Trunnion Cover - R.H.
41	38781048		Motor Base Seal
42	46583044		Cord (use with Hoover Motor)
	46583056		Cord (use with 12 amp Motor)

VacShopUSA.com

1-800-353-9991

E-Mail:

Sales@VacShopUSA.com

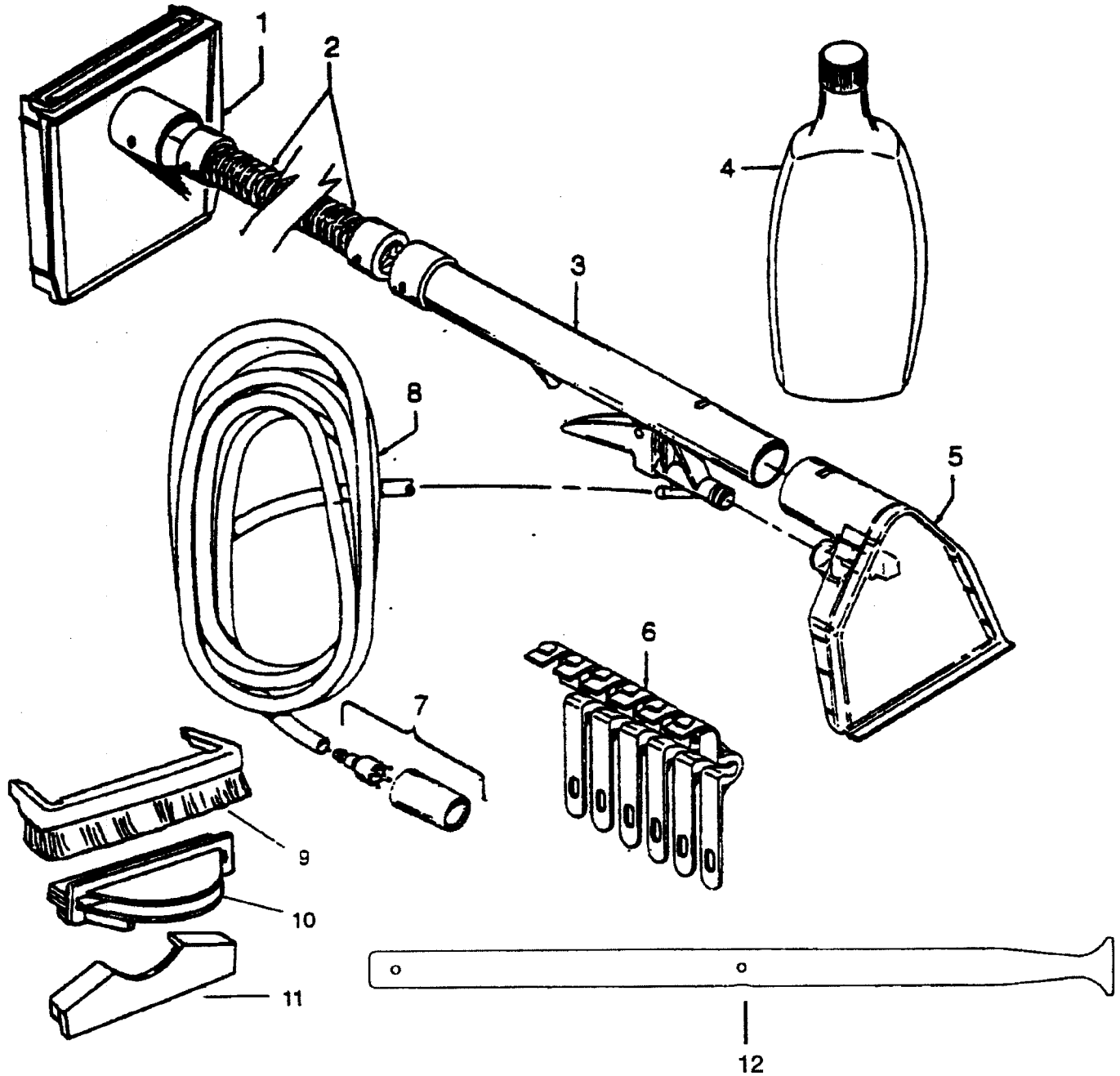
43	46583012		Cord (use with GS Motor)
	40309009		Motor Kit - F5837-900, F5839-900 (Units with GS motor).
	43576177		Motor - F5837-900, F5839-900 (Units with Hoover motor).
	43576163	+	Motor-(GS)- F5865-900,F5867-900, F5868-900, F5869-900,F5881-900,
	27212051		Motor - 12 Amp - F5872-900, F5878-900
	43576202		Motor- (Hoover) - F5864-900, F5865-900, F5867-900, F5868-900, F5869-900,F5871-900, F5873-900, F5875-900, F5870-900, F5881-900, F5883-900, F5884-90
	41311016		Motor Brush (Hoover Motor ONLY)
44	34113004		Motor Seal
45	40309032		Hose Assembly (w/o release tab on nozzle)
	43436011		Hose Assembly (w/ release tab on nozzle)
46	25156518		"O" Ring
47	21447246		Screw
48	38783023		Valve Tank Seal
49	25156517	*	"O" Ring
50	38719039		Solution Hose Coupler
51	38783024		Valve Duct Seal
52	36151021		Latch Lock - LH
53	21364107		Speed Nut (Early models)
54	36151020		Latch Lock - RH
55	21447232	*	Screw (2)

ITEMS NOT ILLUSTRATED

48447002	Brush Back Assembly - Dual - F5837-900, F5839-900
49811039	Lead Wire Black - (Front of motor to switch)
49811079	Lead Wire - White - 12 Amp Motor
49811081	Lead Wire - Red - 12 Amp Motor
49811087	Lead Wire - Light Blue - 12 Amp Motor
	* The F5869-990 & F5883-990 are identical to the models F5869-900 & F5883-900 respectively, except for the addition of one 64 oz. bottle of Carpet / Upholstery cleaner
	** The F5884-980 is identical to model F5884-900 except for the addition of model S1103 Dubl-Duty. (In May of 1999, the S1103 was replaced by an S1112
	*** The F5869-960 & F5883-960 are identical to model F5869-900 and F5883-900 respectively, except for the addition of a bonus detergent kit
	**** Model F5881-990 is identical to model F5881-900 except for addition of Sprayer, and on bottle of Carpet Cleaner, Pre-Cleaner Solution, and Bare Floor Solution
	***** Model F5837-960 is identical to model F5837-900 except for the addition of the carpet care kit - 40304001
	***** Model F5876-900 is identical to model F5875-900 with the exception of the Solution Tank label

VacShopUSA.com
1-800-353-9991
E-Mail: Sales@VacShopUSA.com

VacShopUSA.com
1-800-353-9991
E-Mail:
VacRus@VacShopUSA.com



Upright Extractor

	48481043	Cleaning Tool Hose Assembly (Inc. Items 1,2,3, & 5)
1	38655002	Tool Converter
2	38671035	Hose w/Collars
3	43516006	Wand Valve Assem.
4	57333016	Carpet / Upholstry Solution - 16 oz.
5	38619011	Upholstery Nozzle
6	36172033	Tube Strap (6)
7	43513007	Connector/Coupler Sleeve Assem.
8	0M100168	Solution Tubing Assem. (Inc. item 7)
9	48448001	Spot Brush Assembly
10	38619018	Corner Tool
11	38619019	Edge Tool
12	39514001	Nozzle Clean Out Tool

OPTIONAL CHEMICALS

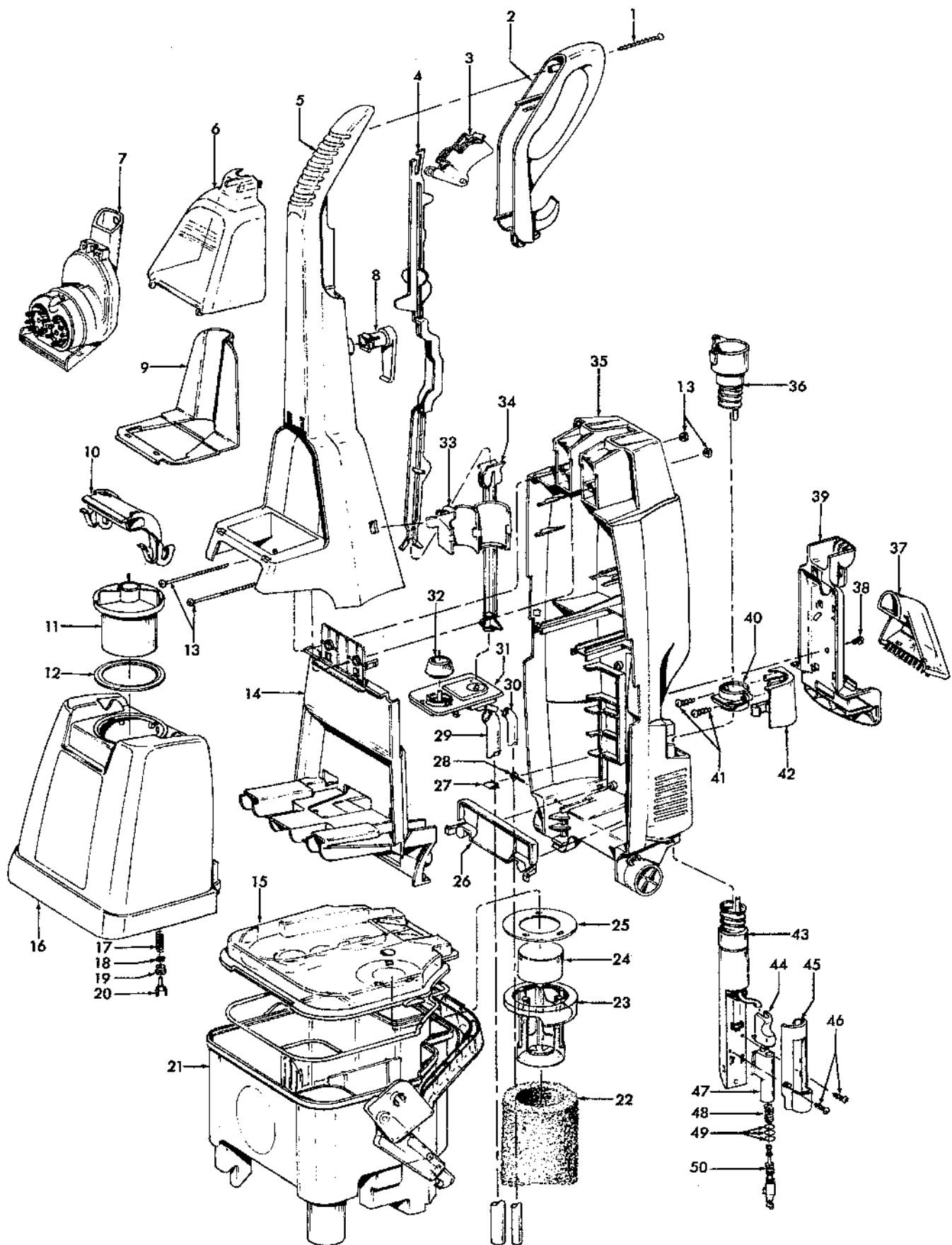
	40301004	Carpet / Upholstry Solution 1 Gal.
	40301064	Carpet / Upholstry Solution 64 oz.
	40302016	Pre-Spotter Solution w/ sprayer 16 oz.
	40302032	Pre-Spotter Solution 32 oz.
	40303032	Bare Floor Solution - 32 oz.

VacShopUSA.com

1-800-353-9991

E-Mail: VacRus@VacShopUSA.com

SteamVac III
Models without five rotating brushes F5837-900, *****F5837-960, F5839-900
Models with five rotating brushes F5864-900, F5865-900, F5867-900, F5868-900,



SteamVac III

Models without five rotating brushes F5837-900, ****F5837-960, F5839-900

Models with five rotating brushes F5864-900, F5865-900, F5867-900, F5868-900,

1	21447248		Screw
2	39458006		Handle Lever Guard
3	38434028		Trigger
4	38458037		Upper Control Rod
5	39466004		Upper Handle- F5881-900, F5883-900, F5884-900 (inc. items 1,2,3,4,8)
	39466036		Upper Handle- F5837-900, F5839-900, F5864-900, F5865-900, F5867-900, F5868-900, F5869-900 (Incl. it 1,2,3,4,8)
6	37276014		Tool Cover - F5881-900, F5883-900, F5884-900
7	48439002		Turbine Nozzle - See note # 1
8	39442041		Cord Wrap
9	36433127		Tool Holder- F5881-900, F5883-900, F5884-900
10	39457016		Solution Tank Handle
11	42272002		Solution Tank Cap (inc. item 12)
12	38784062		Gasket
13	40201154		Handle Hardware Assembly
14	37276002		Handle Cover
15	42272120		Lid Assem. (Incl. it. 22,23,24,25)
16	42272134		Solution Tank Assem. (Incl. It. 10,11,12,17,18,19,20)
17	38312014		Spring
18	21312518	+*	Washer - Brass
19	38784061		Valve Seal
20	38717009		Valve Stem
21	38777065		Recovery Tank - (Incl. It. 15)
22	43611041		Tank Filter
23	38719027		Float Retainer
24	25661016		Float
25	38784070		Seal
26	37276010		Solution Tube Cover
27	21378162	+	Retaining Clip
28	21447244		Screw - Special
29	40309002		Service Tubing
30	40309002		Service Tubing
31	43516008		Reservoir Assem. (Incl. It. 32)
32	38784060		Solution Tank Seal
33	36172005		Hose/ Nozzle Holder
34	38458033		Control Rod Lower
35	39466037		Lower Handle
36	40309032		Hose Assem. (Incl. It 43 thru 50) (w / release tab)
	43436011		Hose Assem. (Incl. It. 37 & 43 thru 50) (w/o release tab)
37	38613033	+	Nozzle Body (w / o release tab)
	38613040		Nozzle Body (w/ release tab)
38	21447041	*	Screw
39	36433131		Tool Rack - Lower
40	36171032		Hose Clamp
41	21447228	*	Screw (2)
42	36131097		Hose Cover
43	40309032		Hose Assem. (Incl. It. 37 & 43 thru 50) (w / release tab)
	43436011		Hose Assem. (Incl. It. 37 & 43 thru 50) (w/o release tab)
44	38433074		Trigger
45	37276006		Wand Cover
46	21447239	*	Screw
47	43513011		Wand/ Valve Assembly
48	38312019		Spring
49			O ring (Included with item 50)
50	43412007		Nozzle Valve Assembly

Accessories

48417003	Bare Floor Tool - All Models except F5864-900
57333016	Carpet Solution - 16 oz.- All Models
N/A	Bare Floor Solution -16 oz., F5839-900 F5865-900, F5867-900, F5868-900, F5869-900, F5881-900, F5883-900, F5884-900 (16 Oz. not available use 32 Oz)
40303032	Bare Floor Solution - 32 oz.
40302016	Pre Cleaner Solution - 16 oz. F5839-900, F5867-900, F5868-900, F5869-900, F5881-900, F5883-90
43412003	Sprayer
	In May of 1999, the Bare Floor Cleaner and Pre Cleaner w/ Sprayer were removed from the models F5881-900 and F5883-90

Packaging Material

56518098	Owner Manual - F5864-900, F5865-900, F5867-900, F5868-900, F5869-900
----------	--

56518097
56518094
58176023

Turbine Nozzle Parts

38613038
48434003

Owner Manual - F5881-900, F5883-900, F5884-900
Owner Manual -F5837-900, F5839-900
Carton - Common (plain brown)

Nozzle Body
Brush Assembly (2 req'd)

Note 1 - 48439002 is the latest style turbine with the release tab on the nozzle body. (ref: Service Bulletin 2-98) Turbine nozzle's for units made prior to Feb. 98 are no longer available. When using the 48439002 on these models it may be

Note 2 - In March 2000 there was a quantity of the model F5869-900 produced for Home Shoppers Network which included a bonus pack of a Scrub Module (48437028) and Powered Hand Tool (48439003)

* The F5869-990 & F5883-990 are identical to the models F5869-900 & F5883-900 respectively, except for the addition of one 64 oz. bottle of Carpet / Upholstery cleaner

** The F5884-980 is identical to model F5884-900 except for the addition of model S1103 Dubl-Duty

*** The F5869-960 & F5883-960 are identical to model F5869-900 and F5883-900 respectively, except for the addition of a bonus detergent kit

**** Model F5881-990 is identical to model F5881-900 except for addition of Sprayer, and on bottle of Carpet Cleaner, Pre-Cleaner Solution, and Bare Floor Solution

***** Model F5837-960 is identical to F5837-900 except for the addition of the carpet care kit - 40304001