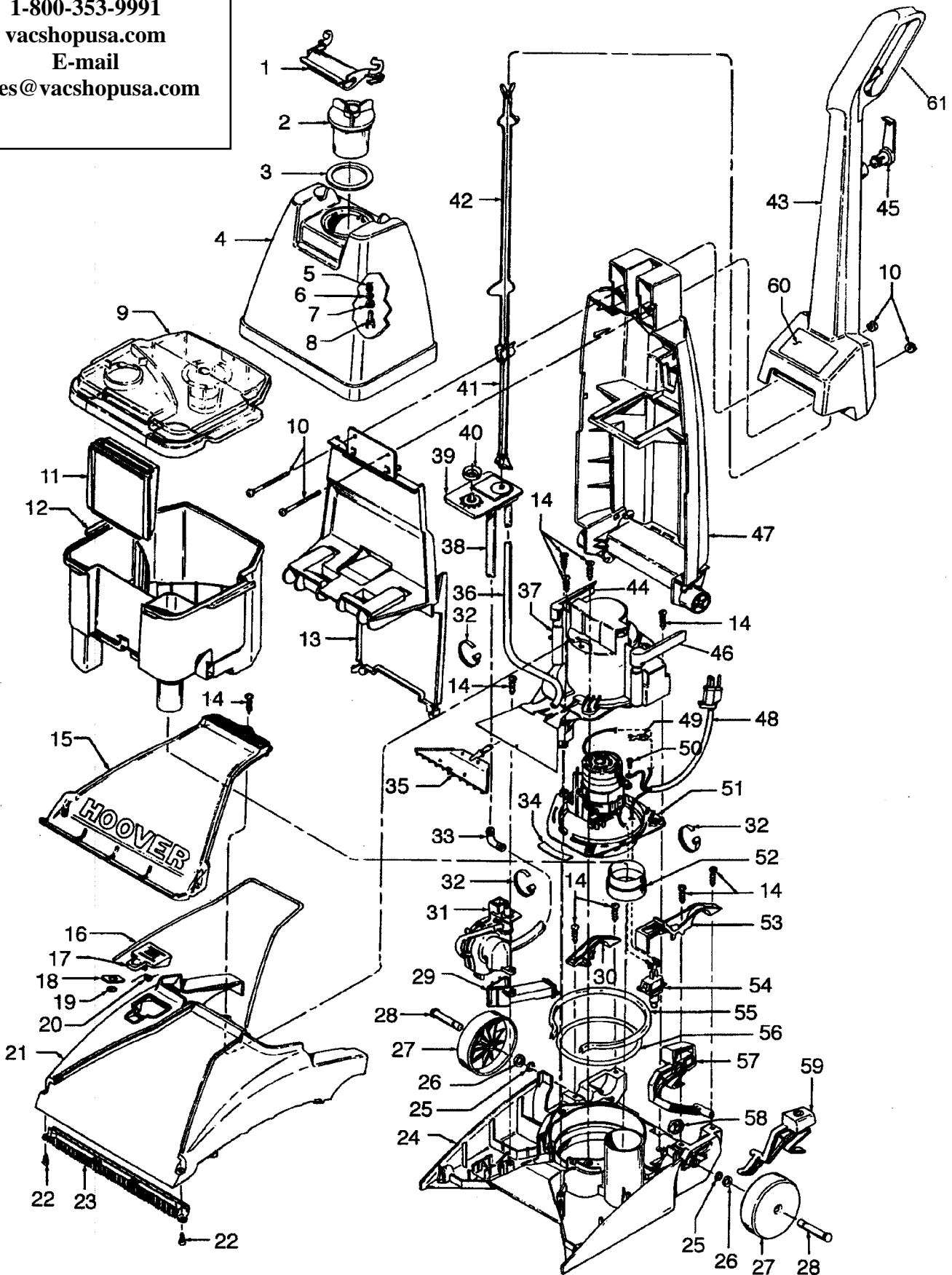


1-800-353-9991
vacshopusa.com
E-mail
sales@vacshopusa.com



Upright Extractor
 Model F5815, F5817, F5821, F5825, F5827

1	39457016		Solution Tank Handle
2	42272002		Solution Tank Cap Assem. (Incl. It. 3)
3	38784062		Gasket
4	42272115		Solution Tank Assem. Comp
5	38312014		Spring
6	21312518	+	Washer - Brass(Used on early models produced prior to 12/97) Service Bulletin 6/9
7	38784061		Valve Seal
8	38717009		Valve Stem
9	42272111		Recovery Tank Lid Assem.
10	40201145		Handle Hardware
11	38661002		Duct
12	38777018		Recovery Tank Assem. (Incl. items 9,11)
13	37276001		Handle Cover
14	21447020	*	Screw - Self Tapping - AY (10)
15	N/A		Nozzle Front Plate
16	38781037		Seal
17	37257102		Door Assem. - F5815, F5821 (Incl. It. 18 & 19)
	37257103		Door Assem. - F5825 (Incl. It. 18 & 19)
	37257104		Door Assem. - F5817 (Incl. It. 18 & 19)
	37257140		Door Assem. - F5827 (incl. It. 18 & 19)
18	38783019	+	Seal
19	21362006	*	Speed Nut
20	38351017		Spring
21	37271030		Hood Assem. - F5815, F5821 (Incl. It. 15 thru 23)
	37271031		Hood Assem. - F5825 (Incl. It. 15 thru 23)
	37271033		Hood Assem. - F5817, F5827 (Incl. It. 15 thru 23)
22	21447228	*	Screw Self Tapping (2)
23	48443005		Brush Back Assem.
24	37272081		Main Body (Incl. It. 55) (F5815, F5821, F5827, F5817 Early Models, F5825 Early Models)
	37272095		Main Body (Incl. It. 55) F5817, F5825 Late Models (See Note)
25	160017	*	Lock Ring (2)
26	N/A	*	Washer
27	38522076		Rear Wheel (2)
28	32434007		Rear Axle (2)
29	38664001		Elbow Duct
30	36131085		Trunnion Cover R.H.
31	43582003		Pump Assem. Complete
32	27479307	*	Cable Tie (3)
33	33241001		Elbow Connector
34	34122021		Motor Housing Seal
35	43411006		Distributor Assem.
36	40309002		Service Tubing
37	40309005		Motor/Dist. Cover Assem. (Incl. It. 35)
38	40309002		Service Tubing
39	43516008		Reservoir Assem.
40	38784060		Solution Tank Seal
41	38458033		Control Rod - Lower
42	38458031		Control Rod Upper
43	48663170		Upper Handle Assem. Comp.
44	36151019		Tank Release Latch - R.H.
45	39442041		Cord Wrap
46	36151029		Tank Release Latch - L.H.
47	39466030		Lower Handle - (F5815, F5821, F5827 F5817 Early Models, F5825 Early Models)
	39466033		Lower Handle - F5817, F5825, Late Models (See Note)
48	46583012		Attachment Cord 33 Ft. - 3W (Use with GS Motor)
	46583044		Attachment Cord 33 Ft. - 3W (Use with Hoover Motor)
49	12227		Insulated Terminal
50	21447240	+	Screw Self Tapping
51	40309009		Motor 7.0 Amp (Incl. It. 34)
52	38784063		Standpipe Seal
53	36131086		Trunnion Cover L.H.
54	28218048		Switch
55	38781039		Motor Base Seal
56	38784064		Motor Intake Seal
57	38458040		Handle Release Lever (F5815, F5821, F5827, F5817 Early Models, F5825 Early Models)
	38458042		Handle Release Lever - F5817, F5825 Late Models (See Note)

1-800-353-9991
vacshopusa.com
E-mail sales@vacshopusa.com

58	36172016		Cord Retainer
59	38434025		Switch Actuator Lever
60	52313013	+	Nameplate - F5815, F5825
	52313014		Nameplate - F5817; F5821
	52313015		Nameplate - F5827
61	39458005		Handle Lever Guard

ITEMS NOT ILLUSTRATED - ACCESSORIES

48481043			Cleaning Tool Hose Assem. (P.63)
0M100168			Solution Tubing Assem. (P.63)
40302016			Pre-Spotter Solution (16 Oz.) F5817, F5825
57337216	+		Bare Floor Solution (16 Oz.) F5815, F5821
36433092			Hose Caddy - F5817, 5825
40201142			Hose Caddy Hardware - F5817, F5825
43412003			Sprayer - F5817, F5825
48417003			Bare Floor Clnr. Tool Assem. - F5821, F5825
43611041			Foam Filter - Recovery Tank Lid
38719027			Float Retainer - Recovery Tank Lid
25661016			Float - Recovery Tank Lid
38784070			Seal - Float Retainer

PACKAGING MATERIAL

56518091			Owners Manual
58176023			Carton - Common
58315006			Rear Support
58332024	+		Bottom Rear Support
58332025	+		Front/Bottom Support - F5821
58346006			Mid Support
58461019			Front Support
58461019			Rear Support

Note:F5817 Late Models - After Serial No. 039600086681

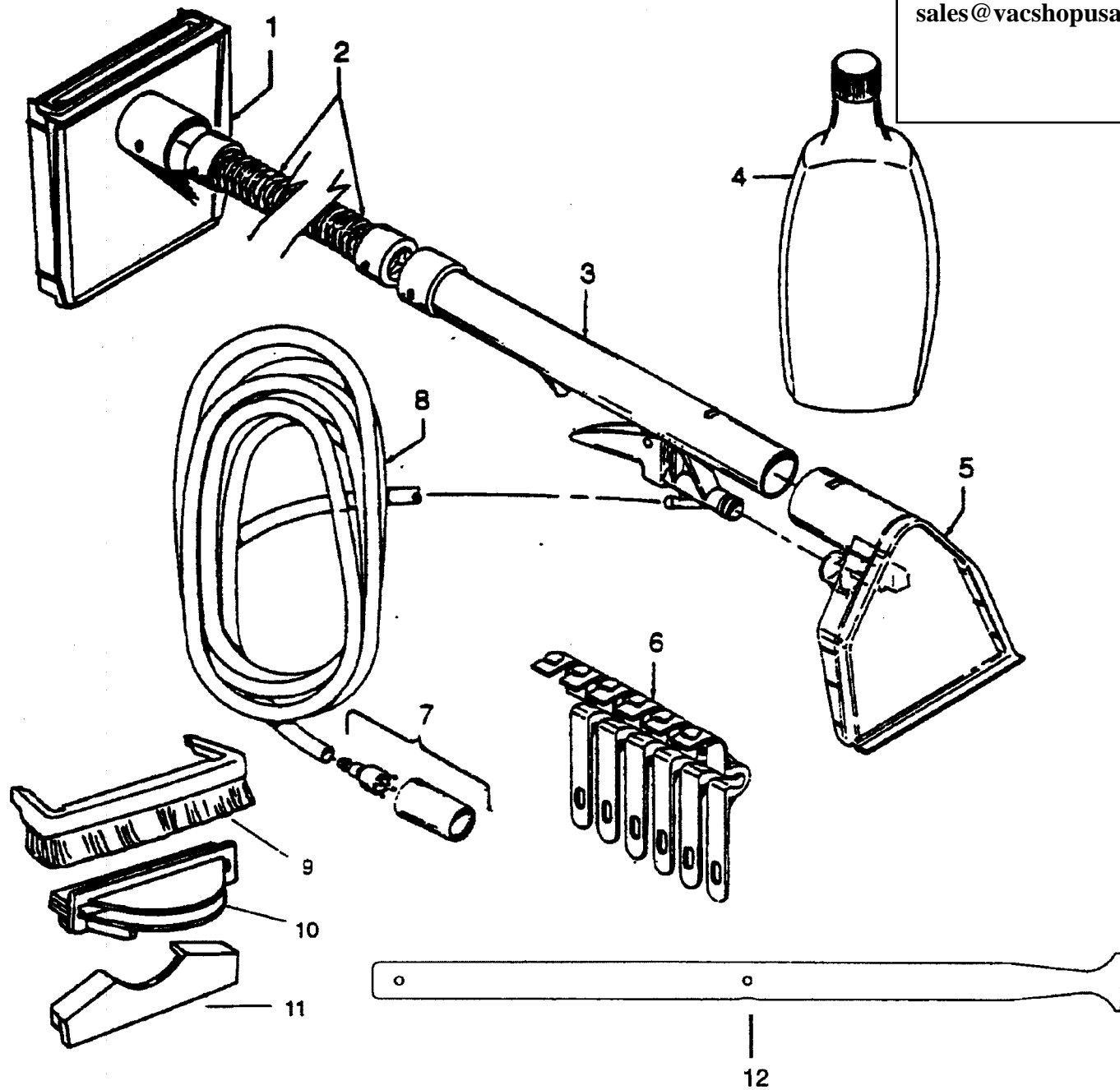
F5825 Late Models - After Serial No. 039600208361

Note: Model F5821 "Deep Cleaner" does not include the Bare Floor Tool, Bare Floor Cleaner, or Nozzle Cleanout Tool

Model F5821 "SteamVac" did not include these parts.

1-800-353-9991
vacshopusa.com
E-mail
sales@vacshopusa.com

1-800-353-9991
vacshopusa.com
E-mail
sales@vacshopusa.com



Upright Extractor

48481043
1 38655002
2 38671035
3 43516006
4 57333016
5 38619011
6 36172033
7 43513007
8 0M100168
9 48448001
10 38619018
11 38619019
12 39514001
OPTIONAL CHEMICALS

40301004
40301064
40302016
40302032
40303032

Cleaning Tool Hose Assembly (Inc. Items 1,2,3, & 5)
Tool Converter
Hose w/Collars
Wand Valve Assem.
Carpet / Upholstry Solution - 16 oz.
Upholstry Nozzle
Tube Strap (6)
Connector/Coupler Sleeve Assem.
Solution Tubing Assem. (Inc. item 7)
Spot Brush Assembly
Corner Tool
Edge Tool
Nozzle Clean Out Tool

Carpet / Upholstry Solution 1 Gal.
Carpet / Upholstry Solution 64 oz.
Pre-Spotter Solution w/ sprayer 16 oz.
Pre-Spotter Solution 32 oz.
Bare Floor Solution - 32 oz.

1-800-353-9991
vacshopusa.com
E-mail sales@vacshopusa.com