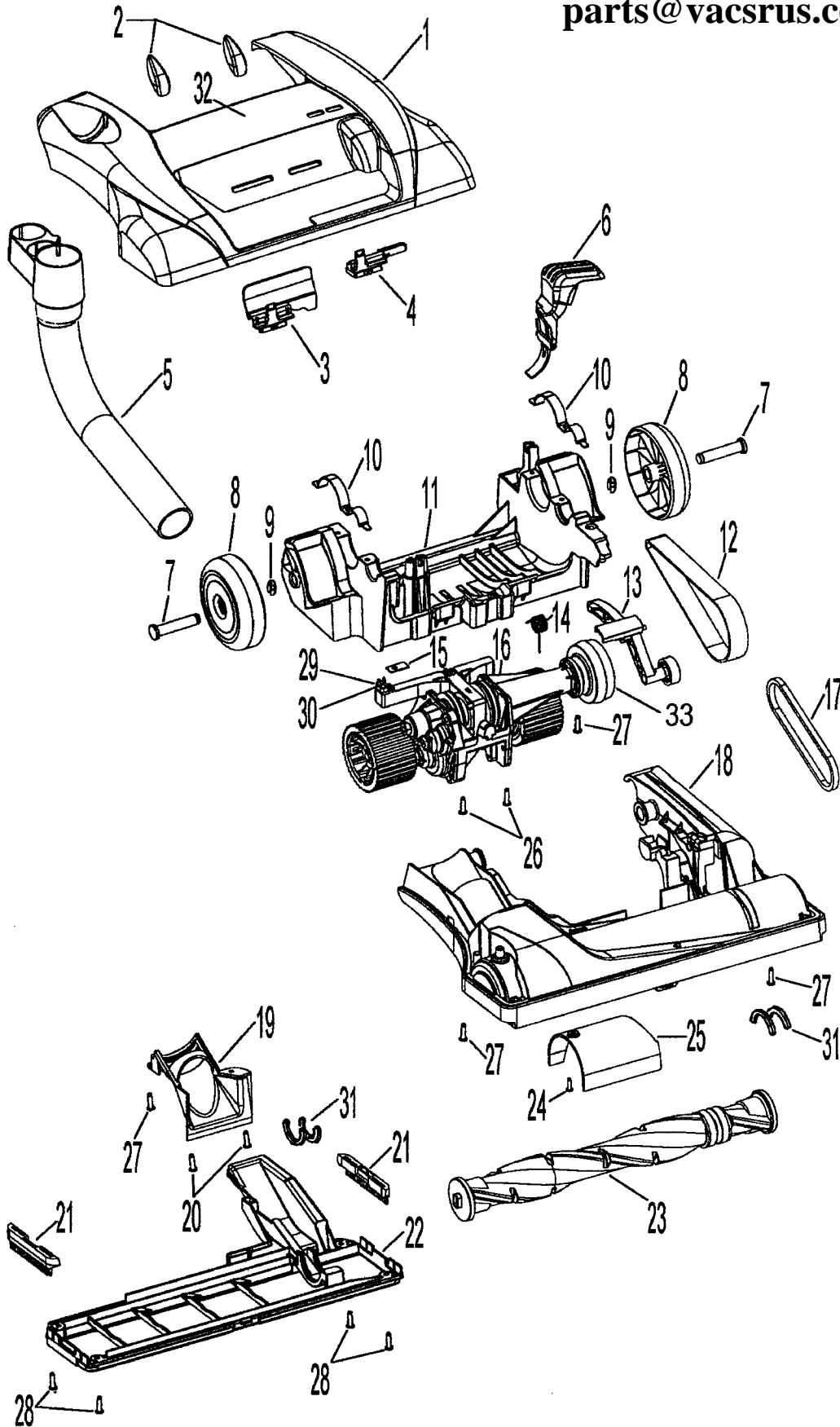


**VacshopUSA.com e-mail**  
**parts@vacrus.com**



Self Propelled - Ultra Model U6425-900, U6423-900, U6425-920  
 Self Propelled - Premium w/EDF Model U6431-900, U6445-900, U6445-920, U6449-900,  
 U6450-900, U6451-900, \* U6451-960, U6455-900, U6455-960, U6470-900, U6458-900, U6446-90

- |     |          |   |
|-----|----------|---|
| 1   | 37253301 | Note: All Hood Assembly's include lt. 2,3 and 4.  |
|     | 37253300 | Hood Assembly -ABM - U6425-900  |
|     | 37253302 | Hood Assembly - ACJ -U6445-900, U6445-920, U6451-900, U6458-900   |
|     | 37253304 | Hood Assem. - AG - U6455-900, U6455-960   |
|     | 37253309 | Hood Assem. - ACM - U6449-900   |
|     | 37253317 | Hood Assem. - ABY - U6423-900   |
|     | 37253351 | Hood Assem. - ABR - U6450-900   |
|     | 37253359 | Hood Assem. - AEC - U6470-900   |
|     | 37253348 | Hood - Pewter Metallic  |
|     | 38421094 | Hood Assem. - AAY - U6431-900   |
| 2.  | 38563026 | Adjustment Knob (2)   |
| 3.  | 36143004 | Nozzle Adjustment Cam   |
| 4.  | 41426036 | Idler Arm Lock  |
| 5.  | 38434021 | Wand / Hose Holder  |
| 6.  | 32434008 | Handle Release Lever  |
| 7.  | 43244005 | Rear Axle (2)   |
| 8.  | 160017   | Rear Wheel Assembly - Deluxe  |
| 9.  | 36131096 | * Retaining Ring  |
| 10. | 37241150 | Trunnion Cover (2)  |
| 11. | 38528035 | Main Body   |
| 12. | 43241004 | Flat Belt   |
| 13. | 43241006 | Idler Arm Assembly  |
|     | 38356015 | Idler Arm Pulley (Only)   |
| 14. | 38356014 | Torsion Spring - Models prod. 5/98 and earlier  |
|     | 34125004 | Torsion Spring - Models prod. after 5/98  |
| 15. | 21447242 | * Retainer - Control Cable  |
|     | 43124016 | Screw - (2) - (Retainer mounting screws)  |
| 16. | 38528034 | Power Drive Assembly  |
| 17. | 42246136 | V Belt - Agitator   |
| 18. | 42246112 | + Agitator Housing - models prod. 9/98 and earlier (Use 42246112 Agit.<br>Hsg and 38356014 Torsion Spring |
|     | 36172007 | Agitator Housing -models prod. after 9/98   |
| 19. | 21479446 | * Hose Clamp  |
| 20. | 39511004 | Screw - Hose Clamp  |
| 21. | 39511008 | Litter Picker - Imperial Red  |
|     | 42245029 | Litter Picker - U6446-900 - Quartz Mist   |
| 22. | 48414069 | Bottom plate (Inc. item 31)   |
| 23. | 21479446 | * Agitator Assembly Complete  |
| 24. | 37243026 | Screw   |
| 25. | 37243013 | Duct Cover Nozzle - models prod. 9/98 and earlier   |
|     | 21447242 | Duct Cover Nozzle - models prod. after 9/98   |
| 26. | 21447228 | * Screw - Trans. to main body   |
| 27. | 21447121 | Screw   |
| 28. | 21751010 | * Screw - Bottom plate  |
| 29. | 36128002 | * Screw - Special   |
| 30. | 38781053 | * Washer  |
| 31. | 52115209 | * Agitator Pulley Seal  |
| 32. | 51438007 | Hood Label - U6425-900  |
|     | 51438008 | Hood Label - U6445-900, U6449-900, U6450-900, U6451-900, U6470-900,<br>U6458-90                           |
|     | 51438014 | Hood Label - U6455-900, U6455-960   |
|     | 51438012 | Hood Label - U6446-900  |
|     | 52115213 | Hood Label - U6431-900  |
|     | 52115213 | Hood Label - U6423-900  |
| 33. | 38537013 | Drive Pulley  |

**VacshopUSA.com**  
**e-mail parts@vacsrus.com**

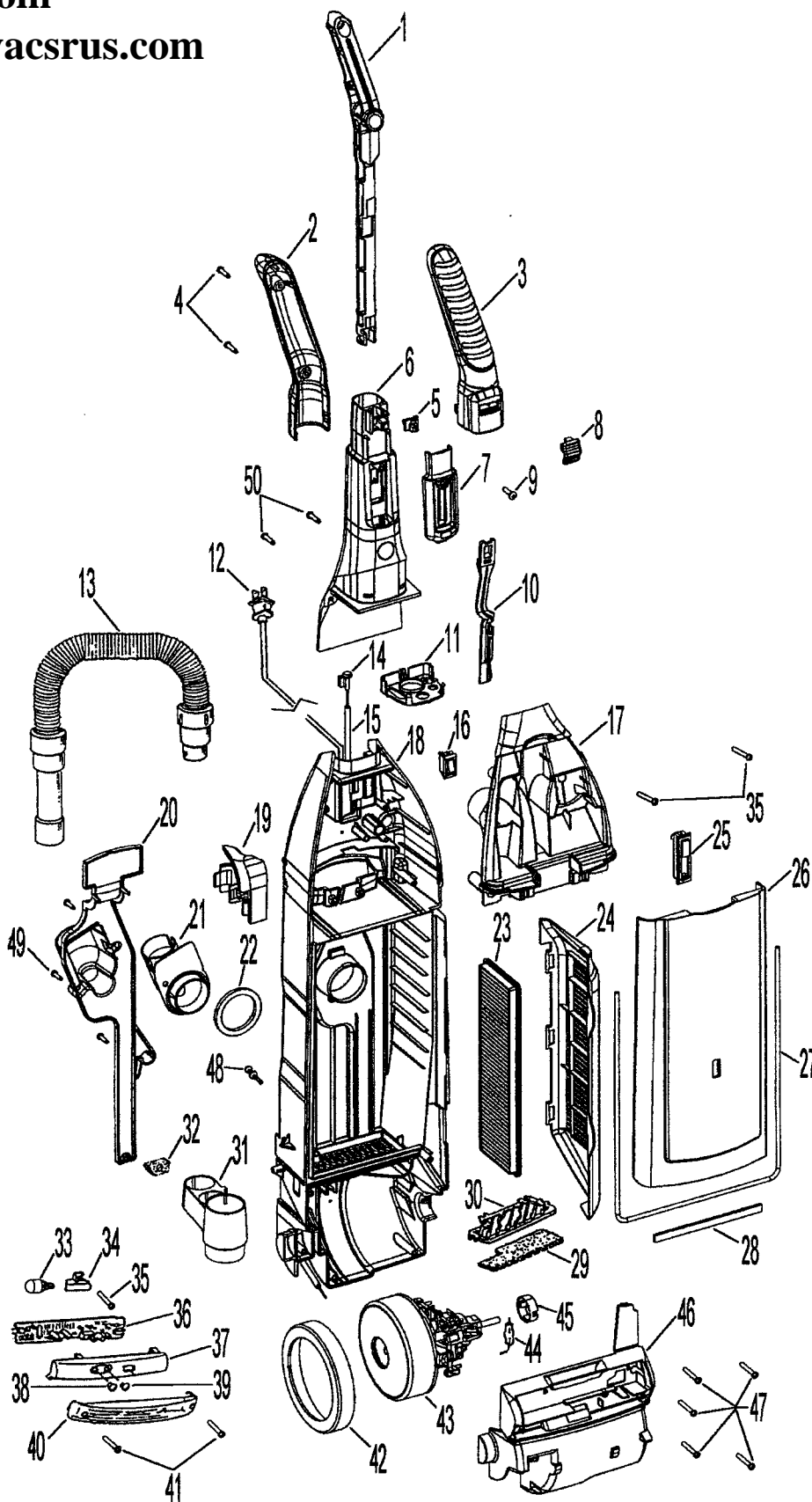
Items not illustrated

36131101 Control Cable Support  
 \* Model U6451-960 is similar to model U6451-900 except for additional (9) type Y Allergen Bags, (1) Crevice Tool, (1) Final Filter, and (2) Flat belts

Self Propelled - Ultra Model U6425-900, U6423-900  
Self Propelled - Premium w/EDF Model U6431-900, U6445-900, U6449-900, U6450-900,  
U6451-900, \* u6451-960, U6455-900, U6470-900, U6458-90

**VacshopUSA.com**

**e-mail parts@vacsrus.com**



Self Propelled - Ultra Model U6425-900, U6423-900  
 Self Propelled - Premium w/EDF Model U6431-900, U6445-900, U6449-900, U6450-900,  
 U6451-900, \* u6451-960, U6455-900, U6470-900, U6458-90

**VacshopUSA.com**  
**e-mail parts@vacsrus.com**

- |     |          |   |
|-----|----------|---|
| 1.  | 38512001 | Grip Rod  |
| 2.  | 39454068 | Handle Grip - Back  |
| 3.  | 39454062 | Handle Grip - Front (Inc. item 5)   |
| 4.  | 21447228 | * Screw (2)   |
| 5.  | 36142002 | Drive Control Pin   |
| 6.  | 39466040 | Upper Handle (Inc. items 7, 8, 10)  |
| 7.  | 37258119 | Switch Rod Pocket   |
| 8.  | 38421005 | Switch Button   |
| 9.  | 21447242 | Screw   |
| 10. | 38458051 | Switch Rod  |
| 11. | 36923003 | Rod Guide   |
| 12. | 46383331 | Attachment Cord Assembly - 35 ft.   |
| 13. | 43434031 | Hose Assembly   |
| 14. | 43211019 | Control Cable   |
| 15. | 66661205 | Control Cable Tube  |
| 16. | 40309033 | Switch Kit  |
| 17. | 36433135 | Tool Holder   |
| 18. | 37255025 | Bag Hsg. (Inc. items 15, 16, 48)  |
| 19. | 36433136 | Hose Holder - Upper   |
| 20. | 37255010 | Rear Cover  |
| 21. | 38641008 | Dirt Duct - U6423-900, U6425-900,   |
|     | 47823004 | EDF Duct / Mic Assem - Models w / EDF   |
| 22. | 31178017 | Hose Connector Gasket   |
| 23. | 43613021 | Final Filter  |
|     | 40110006 | Final Filter - 3 Layer - U6425-920  |
|     | 43613022 | Final Filter - HEPA - U6445-920, U6455-960, U6458-900, U6470-900                                |
| 24. | 38769004 | Final Filter Grille   |
| 25. | 51151010 | Bag Indicator   |
| 26. |          | Note: All Bag Doors include lt. 25, 27 and 28.  |
|     | 37254111 | Bag Door - ABM - U6425-900, U6425-920   |
|     | 37254162 | Bag Door - AEC - U6470-900  |
|     | 37254110 | Bag Door - ACJ - U6445-900, U6445-920, U6451-900, U6458-900                                     |
|     | 37254112 | Bag Door - AG - U6455-900, U6455-960  |
|     | 37254113 | Bag Door - ACM - U6449-900  |
|     | 37254114 | Bag Door - ABY - U6423-900  |
|     | 37254144 | Bag Door - ABR - U6450-900  |
|     | 37254159 | Bag Door - AAY - U6431-900  |
| 27. | 38781057 | Bag Door Gasket   |
| 28. | 34123050 | Bag Door Gasket - Bottom  |
| 29. | 38765019 | Secondary Filter  |
|     | 38765023 | Secondary Filter - 2 Layer - U6455-900, U6449-900, U6455-960,<br>U6425-920, U6458-900, U6470-90 |
| 30. | 36426034 | Secondary Filter Retainer   |
| 31. | 41426036 | Wand / Hose Holder (Inc. hose)  |
| 32. | 34131005 | Wire Opening Seal   |
| 33. | 27313101 | Bulb  |
| 34. | 47173023 | Wiring Harness - U6423-900, U6425-900,  |
|     | 47173027 | Wiring Harness - U6423-900, U6425-900 -   |
|     | 47173024 | Wiring Harness - w/ 3/16" terminals   |
|     | 47173028 | Wiring Harness - w 1/4" terminals (See note 2)  |
| 35. | 21447072 | * Screw   |
| 36. | 46851031 | Printed Circuit Board - where applicable  |
| 37. | 37944012 | Panel - U6423-900, U6425-900  |
|     | 37944011 | EDF Cover - models w / EDF  |
| 38. | 27352031 | Snap in Lens - Green - models w / EDF   |
| 39. | 27352030 | Snap in Lens - Red - models w / EDF   |
| 40. | 39383100 | Lens  |
| 41. | 21447228 | * Screw   |
| 42. | 36322035 | Motor Mount - Large   |
| 43. | 43576191 | Motor Assembly  |
| 44. | 47534032 | Thermal Protector - w/ 3/16" terminals  |
|     | 28382088 | Thermal Protector - w/ 1/4" terminals (See  |
| 45. | 36322030 | Motor Mount - Small   |
| 46. | 37195107 | Motor Cover   |
| 47. | 21447230 | * Screw   |
| 48. | 23149001 | Tapping Screw and Washer Assem  |
| 49. | 21447242 | Screw   |
| 50. | 21447072 | * Handle Screws   |

Items Not Illustrated

**VacshopUSA.com**  
**e-mail parts@vacsrus.com**

36436014 + Handle Sleeve (Inc. with Item 6)  
27618508 Wire Connector  
3944201P Cord Wrap - Upper  
37257250 Tool Door  
4010100Y Throw Away Bag - 3 pk.  
34131019 Wire Opening Plug  
21447242 Screw for Hose Holder (Item 19)  
36131101 Control Cable Support  
49811060 Lead Wire White - (From cord to  
36215028 Cord Protector  
49811074 Lead Wire White - (From cord to motor) - w/

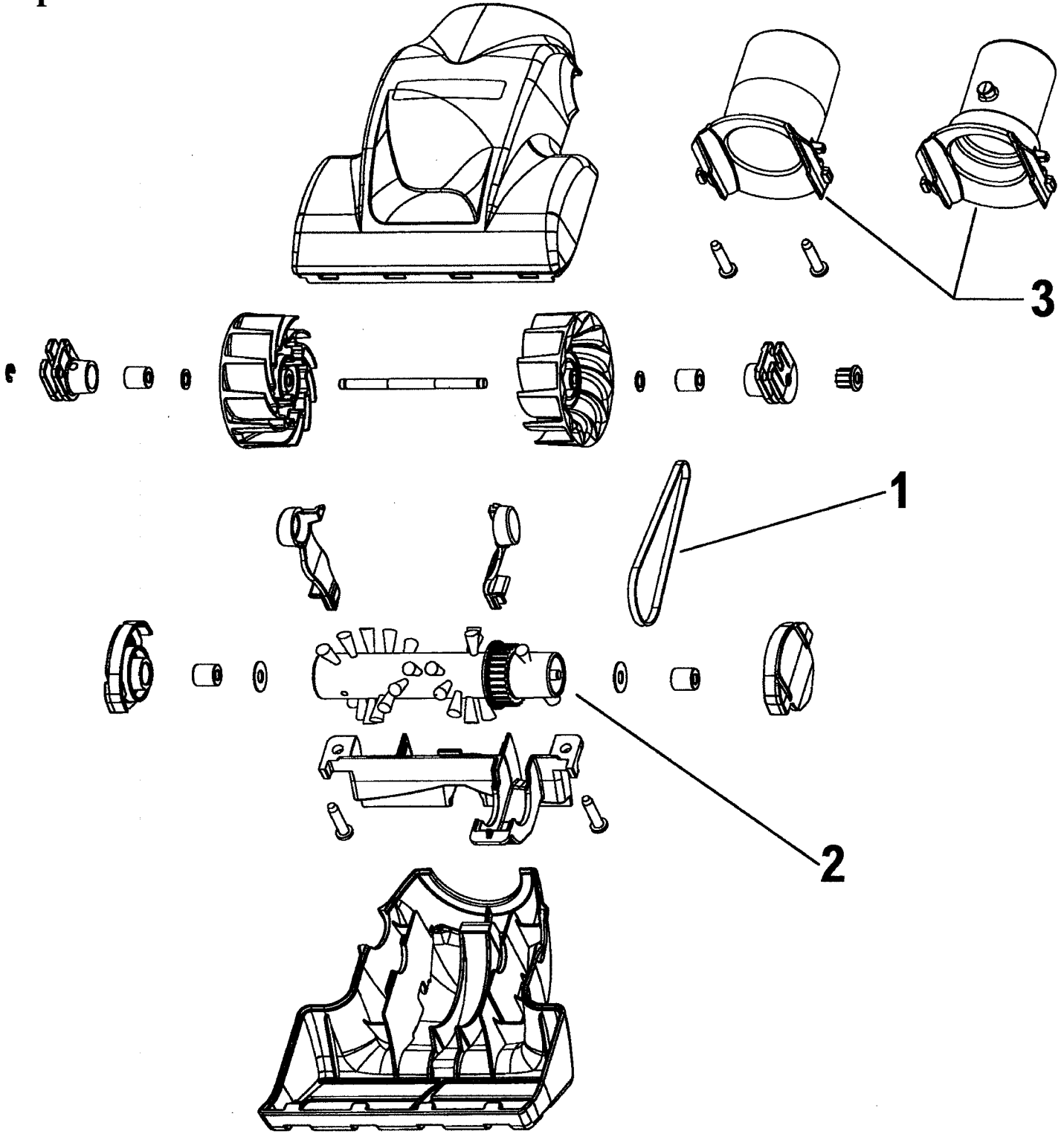
**Tools**

43414162 Dusting Brush Assembly  
43414174 Dusting Brush Assembly - U6451-960  
3861401E Furniture Nozzle  
38617027 Crevice Tool  
38634078 Extension Tube (1)  
43434042 Hose Assem. -Extra U6431-900, U6445-900 (See note 1), U6451-900,  
U6455-900, U6449-900, U6450-900, U6455-960, U6470-90  
42129007 Turbine Powered Hand Tool - U6455-960, U6470-900  
42129010 Turbine Powered Hand Tool - U6425-920, U6458-900

**Packaging**

56511A36 Owner Manual - U6431-900, U6458-900  
56511A74 Owner Manual - U6455-900  
56511A49 Owner Manual  
56511A98 Owner Manual - U6425-920, U6445-920, U6470-900  
56511B01 Owner Manual - U6455-960  
58186039 Carton  
58186041 Carton - U6455-900  
58186046 Carton - U6431-900  
Note 1: Extra Hose Assem. not included with model U6445-900  
produced after 07/23/99  
Note 2: Models produced after June 2000 incorporated 14 gauge wiring  
and associated electrical components with 1/4" terminals. Ref.  
Service Bulletin 4-00.  
\* Model U6451-960 is similar to model U6451-900 except for  
additional (9) type Y Allergen Bags, (1) Crevice Tool, (1) Final Filter, (2)  
flat belts.

VacshopUSA.com  
e-mail parts@vacsrus.com



- 1 38528037
- 2 48414088
- 3 38632011

Turbine Driven Hand Tool - U5750-900, U5755-900, U6455-960,  
U5761-900, U5757-900, U6446-900, U6455-960, U6470-90  
Belt  
Agitator Assembly  
Connector - Friction Fit Style