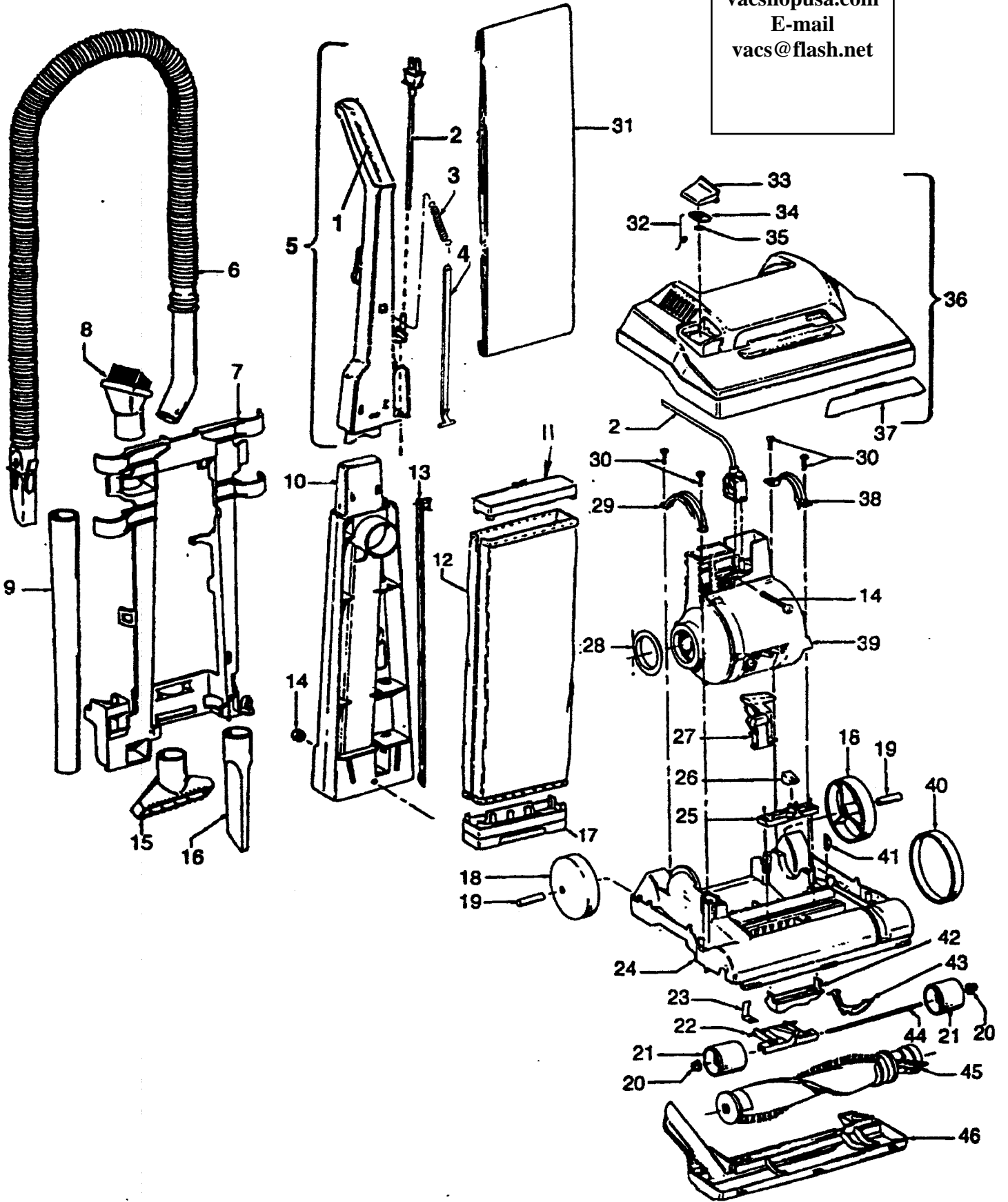


1-800-353-9991
vacshopusa.com
E-mail
vacs@flash.net



Elite II
 Model U4264-930, U4272-930, U4293-930, U4299-930, U4299-980, U4295-930, U4266-930,
 U4268-93

1	39458057		Handle Grip - ABE
	37911079		Handle Cap - U4266-930, U4268-930, U4272-930, U4264-930
2	46388027		Attach Cord - AG - 35 Ft.
3	38335020		Bag Strap Spring
4	36425072		Bag Strap - ABE
5	48663152		Upper Handle Assem. - ABE
	48663141		Upper Handle Assem. - U4264-930, U4266-930, U4268-930, U4272-930
6	43434237		Hose Assem. - ABX/AG
7	36433110		Tool Rack - ABE
	36433098		Tool Rack - U4264-930, U4266-930, U4268-930
8	43414145		Dusting Brush Assem. - AG
9	38634078		Extension Tube - AG
10	39464005		Lower Handle - ABE
11	36425064		Jacket Support Upper - ABE
12	43686192		Outer Jacket - ABM
	43686202		Outer Jacket - U4299-930, U4299-980
	43686207		Outer jacket - U4295-930
	43686213		Outer Jacket - U4272-930
	43686223		Outer Jacket - U4266-930, U4268-930
	43686229		Outer Jacket - U4264-930
13	38456036		Switch Control Rod - ABB
14	40201085		Nut & Bolt
15	38614029		Furniture Nozzle - AG
16	38617024		Crevice Tool - AG
17	36425063		Jacket Support Lower - ABE
18	38522011		Rear Wheel - AG
19	31523012		Rear Wheel Shaft
20	36131056	*	Wheel Retainer
21	N/A		Wheel - AG (Use 43248054)
22	43248054		Front Wheel Assem. (Incl. It. 21,43, 44)
23	34572002		Cam Actuator Spring
24	42243001		Main Body Assembly - (Incl. Items 18, 19, 27, 41)
	42243002		Main Body Assembly - U4264-930, U4266-930, U4268-930 -(Incl. Items
25	38567008		Cam Actuator
26	38421070		Indicator Knob - ABE
27	38458022		Handle Release Lever - ABE
28	38784016		Seal
29	36131057		Motor Retainer Cap - R.H. -
30	21447217	*	Screw
31	4010001A		Throw Away Bag (3 Pak)
32	38351013		Spring
33	37257022		Door Assem. - ABM - U4293-930
	37257027		Door Assem. - AAY - U4299-930, U4299-980, U4295-930
	37257143		Door Assem. - AG - U4266-930, U4272-930
	37257253		Door Assem. - ABM - U4264-930
34	38785013		Seal
35	21362006		Speed Nut
36	42252381		Hood Assem. - ABM - U4293-930
	42252388		Hood Assem. - AAY - U4299-930, U4299-980, U4295-930
	42252A38		Hood Assem. - AG - U4272-930
	42252A74		Hood Assem. - AAY - U4266-930
	42252A84		Hood Assem. - ABM - U4264-930
	42252A86		Hood Assem. - AAY - U4268-930
37	39383098		Lens
	39383099		Lens - U4266-930, U4264-930
38	36131090		Motor Retainer Cap - L.H. - ABE
39	43576142		Motor (P-202)
	43576141		Motor (P-201) U4268-930
40	38528027		Belt
41	13261AY	*	Rug Nozzle Rib Shoe
42	38563011		Nozzle Height Adj. Cam
43	38452089	+	Lever (Use wheel assem. 43248054)
44	32563012	+	Wheel Shaft (Use 43248054)
45	48414079		Agitator Comp. - (P-203)

1-800-353-9991
vacshopusa.com
E-mail
vac@flash.net

46 37245017
37245108
Items Not Illustrated

Bottom Plate
Bottom plate U4268-930, U4295-930, U4272-930

3944201P
27313101
Packaging Material

Cord Wrap (on upper handle)
Dirt Finder Lamp - All models except U4268-930

56511A01
56511A33
58346004
58347019
58347022
58353009
58185184

+
+
+
+

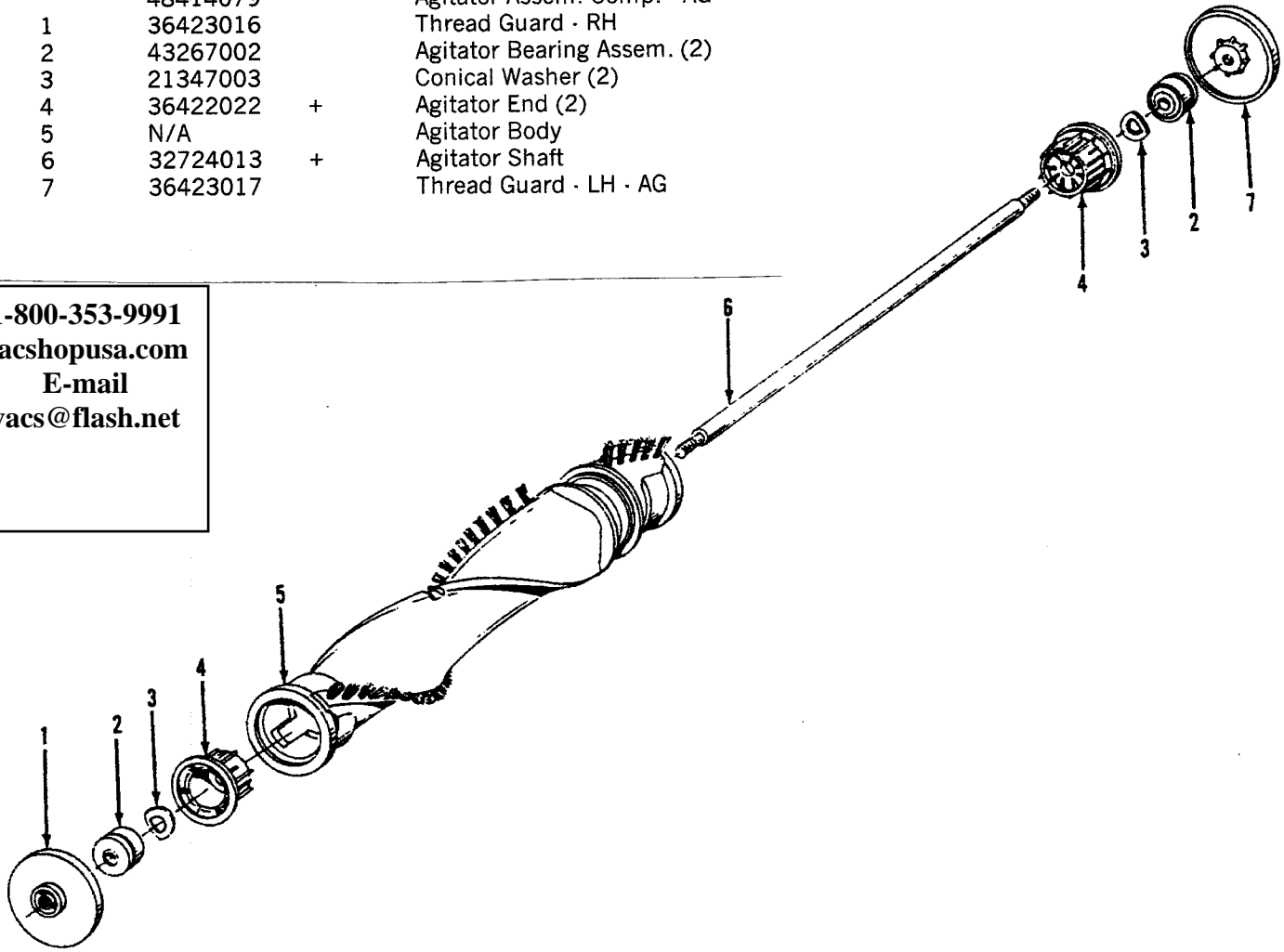
Owner Manual
Owner Manual - U4266-930, U4268-930, U4272-930, U4264-930
Front Support
Cleaning Tool Carton - U4264-930
Cleaning Tool Carton
Rear Support
Carton - Common - Plain Brown
* Model U4299-980 is the same as model U4299-930 which includes a
model S1103

Agitator - 48414079
Elite/Legacy - Two Brush

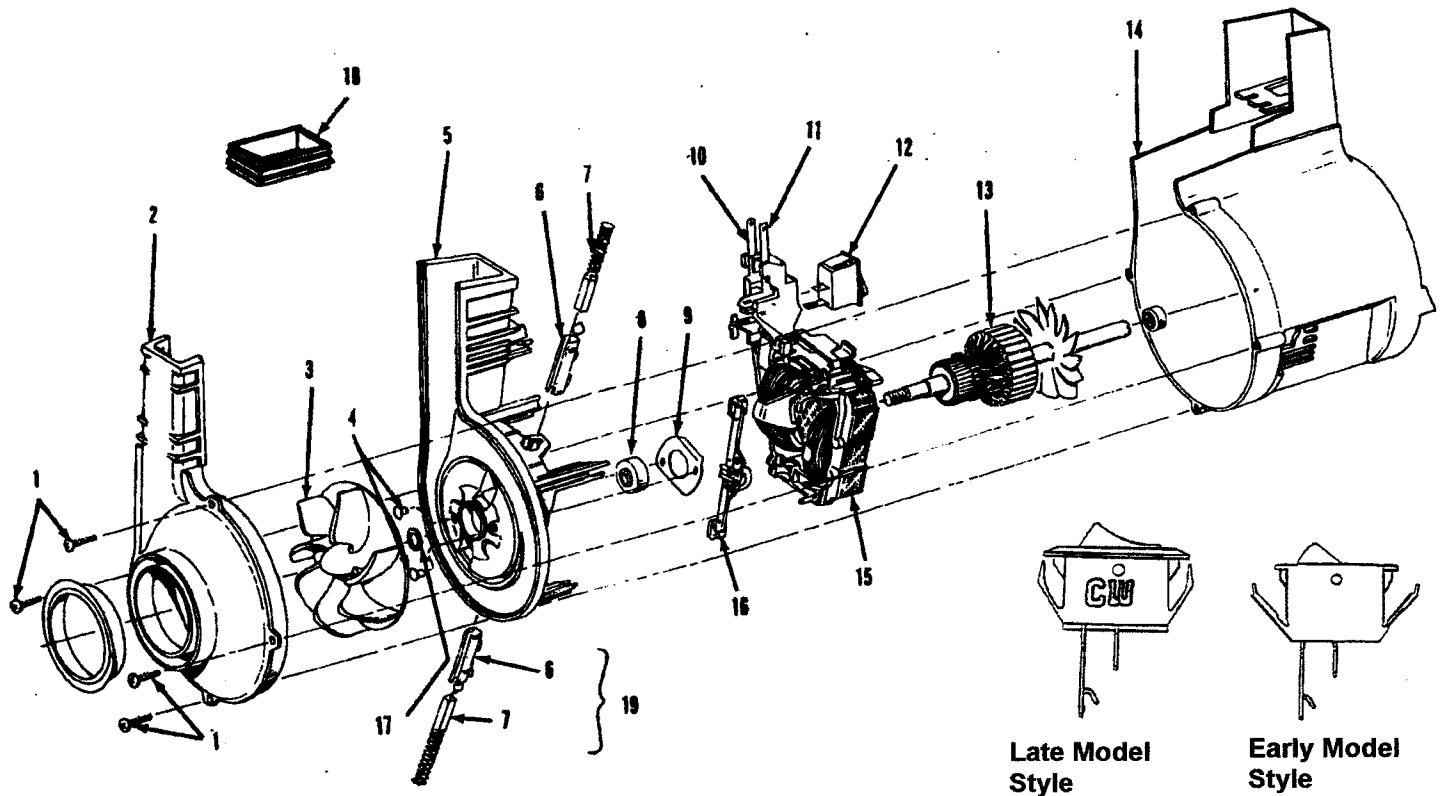
Agitator - 48414079
Elite/Legacy - Two Brush

	48414079		Agitator Assem. Comp. - AG
1	36423016		Thread Guard - RH
2	43267002		Agitator Bearing Assem. (2)
3	21347003		Conical Washer (2)
4	36422022	+	Agitator End (2)
5	N/A		Agitator Body
6	32724013	+	Agitator Shaft
7	36423017		Thread Guard - LH - AG

1-800-353-9991
vacshopusa.com
E-mail
vacs@flash.net



Motor - 43576142
 Elite/Legacy w/Headlight
 Motor - 43576181 Breathe Easy Models



Motor - 43576142
 Elite/Legacy w/Headlight
 Motor - 43576181 Breathe Easy Models

1	43576142		Motor Assem. Comp.
2	214793DA		Screw-Self Tapping (4)
3	38736033		Fan Chamber
4	38755030		Fan
5	N/A		Rivet - Semi Tubular (2)
6	N/A		Motor Housing Assem.
7	N/A		Motor Brush Holder (2)
8	N/A		Motor Brush Assem. (2)
9	N/A		Bearing
10	N/A		Bearing Retainer
11	36914004		Switch Bus Bar
12	39116005	+	Attachment Terminal
13	28218043		Switch Assem. - Early Models (Prior to 5/96)
14	28161062		Switch Asem. - Late Models (After 5/96)
15	N/A		Armature/Bearing Assem.
16	37194034		Motor End Cap Assem. - MW
17	N/A		Field Assem.
18	N/A		Lamp Holder Assem.
19	21312793	*	Washer
	38783020		Duct Seal
	41311016		Motor Brush Holder Assem.

ITEMS NOT ILLUSTRATED

38781013 Duct Seal
 54821001 Tape (Roll)

1-800-353-9991
vacshopusa.com
E-mail
vacs@flash.net