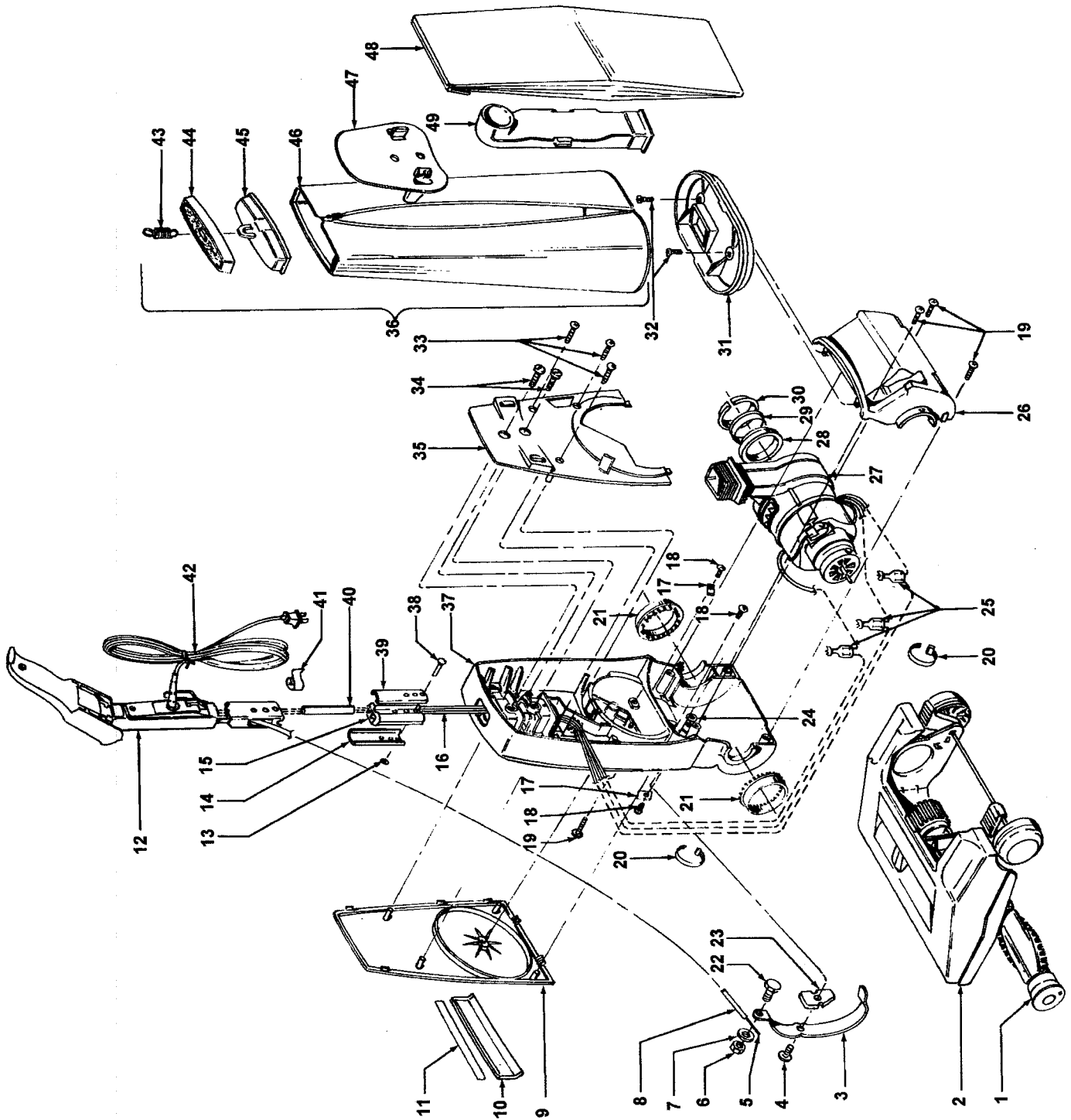


800-353-9991 VacshopUSA.com e-mail vacsrus@VacshopUSA.com



Front Housing & Bag
 Models U3315, U3315-070, U3341-900

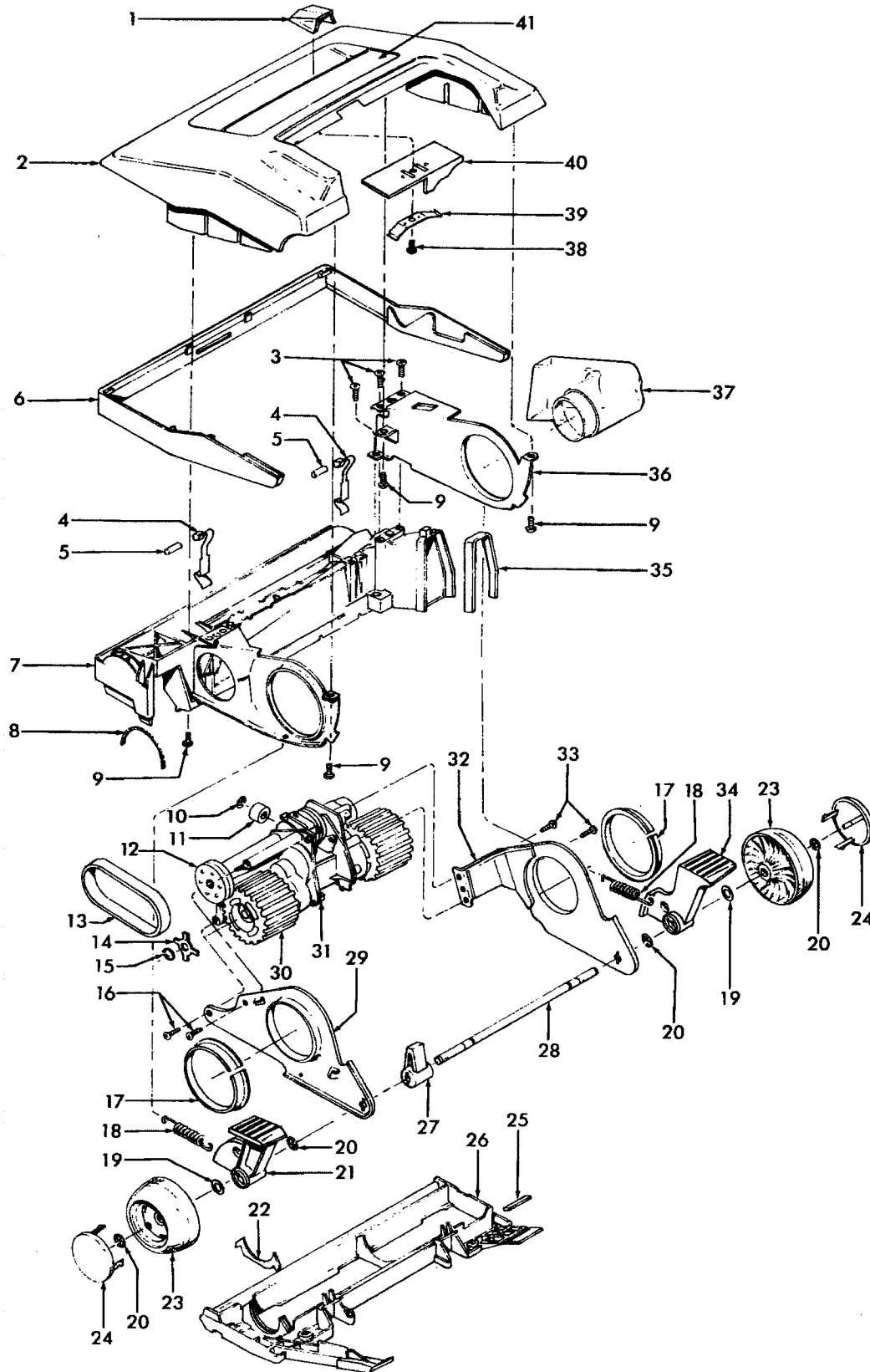
1	48416009		Agitator Assem. Comp. - HE (P-187)
	48414019		Agitator Assem. Comp. - U3315-070, U3341-900 (P-187)
2			Agitator Housing - (P-174)
3	43143096		Actuator Bar Assem.
4	160079AW		Nut - Special
5	43211010		Control Cable
6	21641623		Nut
7	160059	+*	Washer
8	66661203		Control Cable Tube - AG
9	42253061		Front Cover Assem. - MR
	42253062		Front Cover Assem. - U3341-900
10	37246089		Panel - MR
	37246122	+	Panel - ABC - U3341-900
11	52115133		Front Cover Nameplate
	52115170	+	Front Cover Nameplate - U3341-900
12			Handle Assem. (P-172)
13	168278AY	+*	Washer
14	35152008		Handle Mounting Bracket - Front Half
15	36913016		Handle Insulator Support - BZ
16	46513007	+	Lead Wire Assem.
17	34124011	+	Retainer - AY (2)
18	21447003		Machine Screw (3)
19	21447013		Screw - Self Tapping (4)
20	27479307		Lead Wire Tie (2)
21	38511002		Bearing - BZ (2)
22	160058	+	Bolt - Special
23	38511027		Pivot Bearing - AG
24	19555		Spring Washer
25	12227		Insulated Terminal (3)
26	37195072		Motor Cover - AAK
	37195072		Motor Cover - AAK
27	43576074		Motor Assem. (P-1 88)
28	32175011		Motor Mount - RH
29	32156007		Seal Ring
30	32155006		Mount Ring - FW
31	36425008		Jacket Bottom - BZ
32	21447012		Screw - Self Tapping (2)
33	21447020		Screw - Self Tapping (3)
34	21563001		Machine Screw (2)
35	37257125		Rear Housing Cover - JM
	37257157	+	Rear Housing Cover - ABC - U3341-900
36	43677316		Outer Bag Comp. - MP/MR - U3315, U3315-070
	43677339		Outer Bag Comp. - ABC - U3341-900
37	42253159		Front Housing Assem. - AAK
	42253161	+	Front Housing Assem. - ABC -
38	21254008		Rivet
39	35152011		Handle Mounting Bracket - Rear Half
40	31735007		Insulating Tube
41			Tape
42	46363195		Cord
42	46363195		Cord
	46363195		Attach. Cord Assem. - U3341-900□
43	38334002		Spring - AW
44	37959055		Bag Cover - MR
	37959075	+	Bag Cover - ABC
45	37959095		Hanger
46	43677323		Outer Bag - AAK - MR
	43677338		Outer Bag - ABC - U3341-900
47	36425012		Jacket Support - JM
48	4010001A		Throw Away Bag (3 Pk.)
49	38657010		Top Fill Tube - AG

800-353-9991
VacshopUSA.com e-mail
vacsrus@VacshopUSA.com

ITEMS NOT ILLUSTRATED

170975 + Wrench - Special (This is a 1/2", 12 point, deep offset box wrench used on lt. 22, Part #1 60058, Bolt, in conjunction with the adjustment

800-353-9991 VacshopUSA.com e-mail vacsrus@VacshopUSA.com



Agitator Housing
 Models U3315, U3315-070, U3329, U3335, U3341-900

1	38421038		Nozzle Adj. Lever - AAK
	38421036		Nozzle Adj. Lever - MT - U3329
	38421073	+	Nozzle Adj. Lever - ABC - U3341-900
2	37253239		Hood - AAK
	37253116		Hood - MT - U3329
	37253238		Hood - ABC - U3341-900
3	21447003	*	Machine Screw (3)
4	34788001		Agitator Clip (2)
5	31522016		Pin (2)
6	36235082		Furniture Guard - MW - U3315-070, U3329, U3341-900
7	42246064		Agitator Housing Assem.
8	12173	*	Agitator Pulley Seal - Upper
9	21447014	*	Screw - Self Tapping (4)
10	163699	*	Retaining Ring
11	31142014	+*	Roller
12	38537001		Drive Pulley
13	160147AG		Belt
14	160040AY		Keylock
15	160014	*	Retaining Ring
16	17001FW	*	Screw - Self Tapping (2)
17	32155004		Bearing (2)
18	38335014		Spring (2)
19	21312772	*	Washer (2)
20	13730	*	Lock Ring (4)
21	38452071		Handle Release Lever - LH - AG
22	38781006	*	Agitator Pulley Seal - Lower
23	38522032		Rear Wheel
24	37912013		Wheel Cover (2)
25	34122019		Bottom Plate Duct Seal
26	37245087		Bottom Plate
27	38452048	+	Handle Release
28	32547002		Rear Axle - AW
29	35476012		Frame - LH
30	163340AG		Drive Wheel Assem.
31	43124009		Power Drive Unit
32	41967004		Right Hand Frame Assem.
33	17001FW	*	Screw - Self Tapping (2)
34	38452059		Handle Release Lever - RH - AG
	36131018		Spring Retainer - U3315-070, U3341-900
35	34123003		Duct Seal
36	35476027		Agitator Housing Bracket - RH - AY
37	38656023		Air Duct
38	21447015		Screw - Self Tapping
39	34751002		Detent Spring
40	38563015		Cam
41	52115146	+	Hood Nameplate
	52115177	+	Hood Nameplate

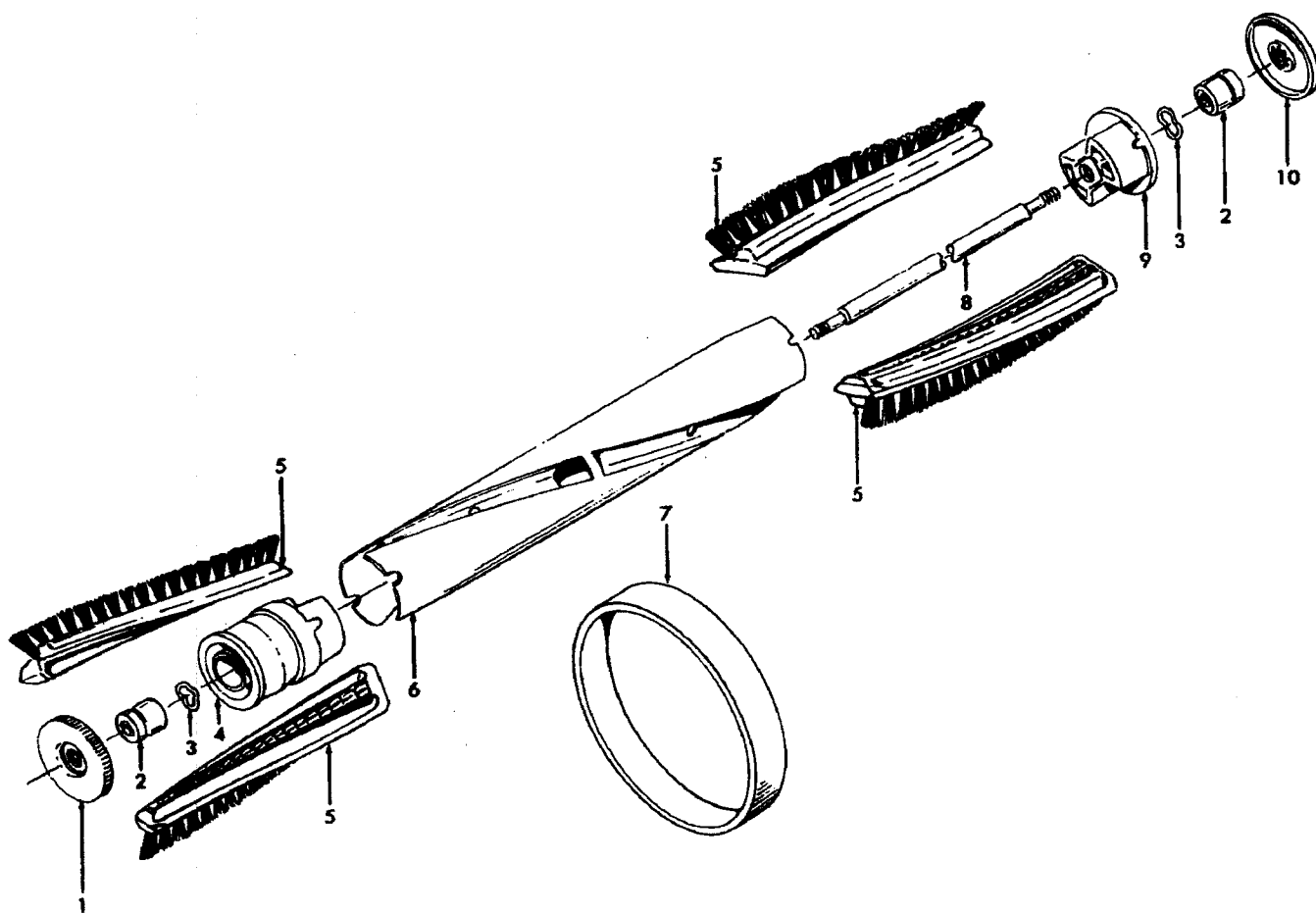
PACKAGING MATERIAL

	56511267		Owner Manual□
	56511278	+	Owner Manual - U3329
	56511345	+	Owner Manual - U3315-070, U3341-900
	58366094		Carton
	58366081	+	Carton - U3329
	58366083	+	Carton - U3341-900
	58366084	+	Carton - U3315-070
	58366086	+	Carton - U3335
	58219007	+	Front Support
	58341002	+	Handle Support

ITEMS NOT ILLUSTRATED

	160031	*	Nut (Power Drive Unit - Drive Shaft/ Drive Pulley)
--	--------	---	--

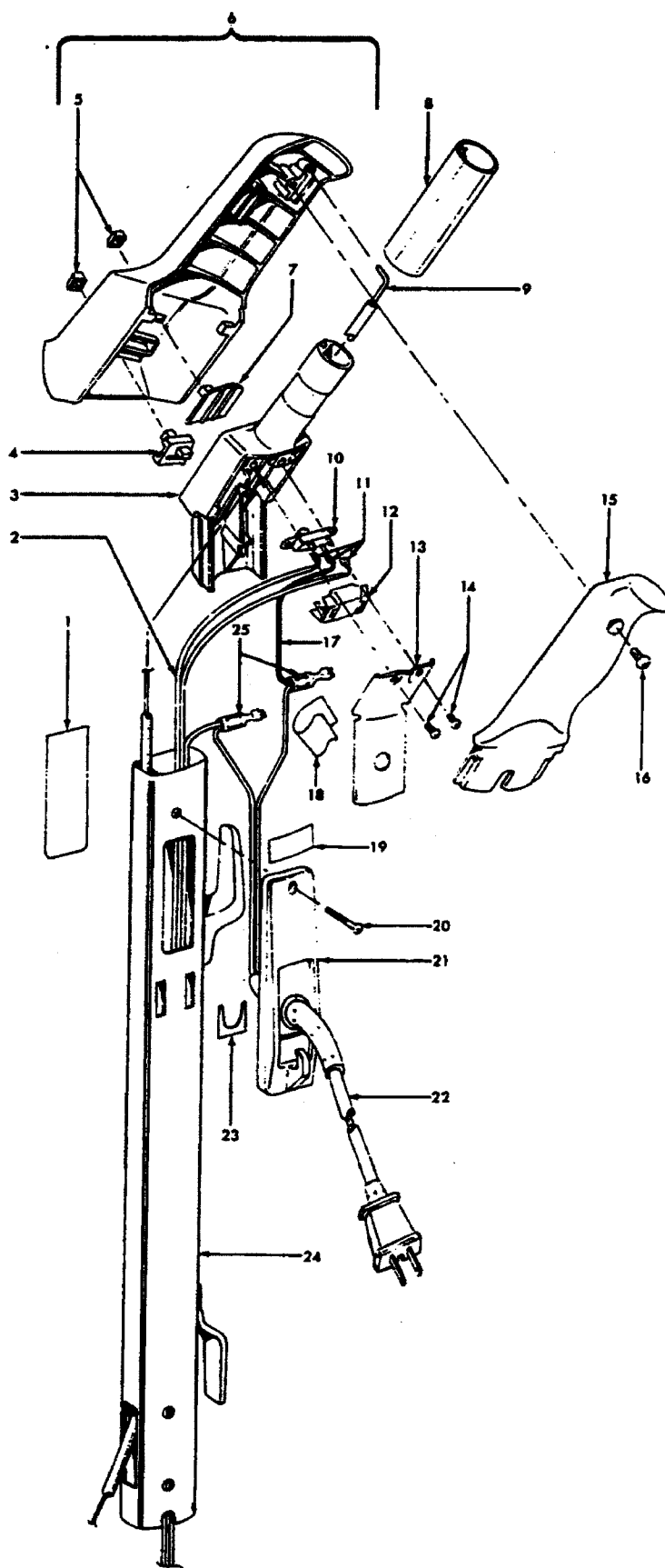
Agitator
 Models U3315, U3315-070, U3317, U3319-9, U3319-970, U3321, U3323, U3329, U3331,
 U3335, U3341-900, U3721-910, U3721-930, U3729-910, U3737-910, U3745-91



800-353-9991 VacshopUSA.com e-mail vacsrus@VacshopUSA.com

Agitator
 Models U3315, U3315-070, U3317, U3319-9, U3319-970, U3321, U3323, U3329, U3331,
 U3335, U3341-900, U3721-910, U3721-930, U3729-910, U3737-910, U3745-91

48414019	Agitator Assem. Comp. - U3315-070, U3341-900, U3721-910, U3729-910
48416009	Agitator Assem. Comp. - U3315, U3317, U3319-9, U3319-970, U3321, U3323, U3329, U3331, U3335, U3721-930, U3737-910, U3745-91
1	41435021 Thread Guard
2	43267002 Agitator Bearing Assem. (2)
3	21347003 * Conical Washer (2)
4	38537002 Agitator End Pulley
5	48445019 Agitator Brush (4)
	48445016 Agitator Brush (2) - U3315-070, U3341-900, U3721-910, U3729-910
6	(Not Available)
7	38528008 Agitator Belt
8	160070 Agitator Shaft
9	41435023 Agitator End
10	41435018 Thread Guard



Handle
Models U3315, U3315-070, U3329, U3335, U3341-900

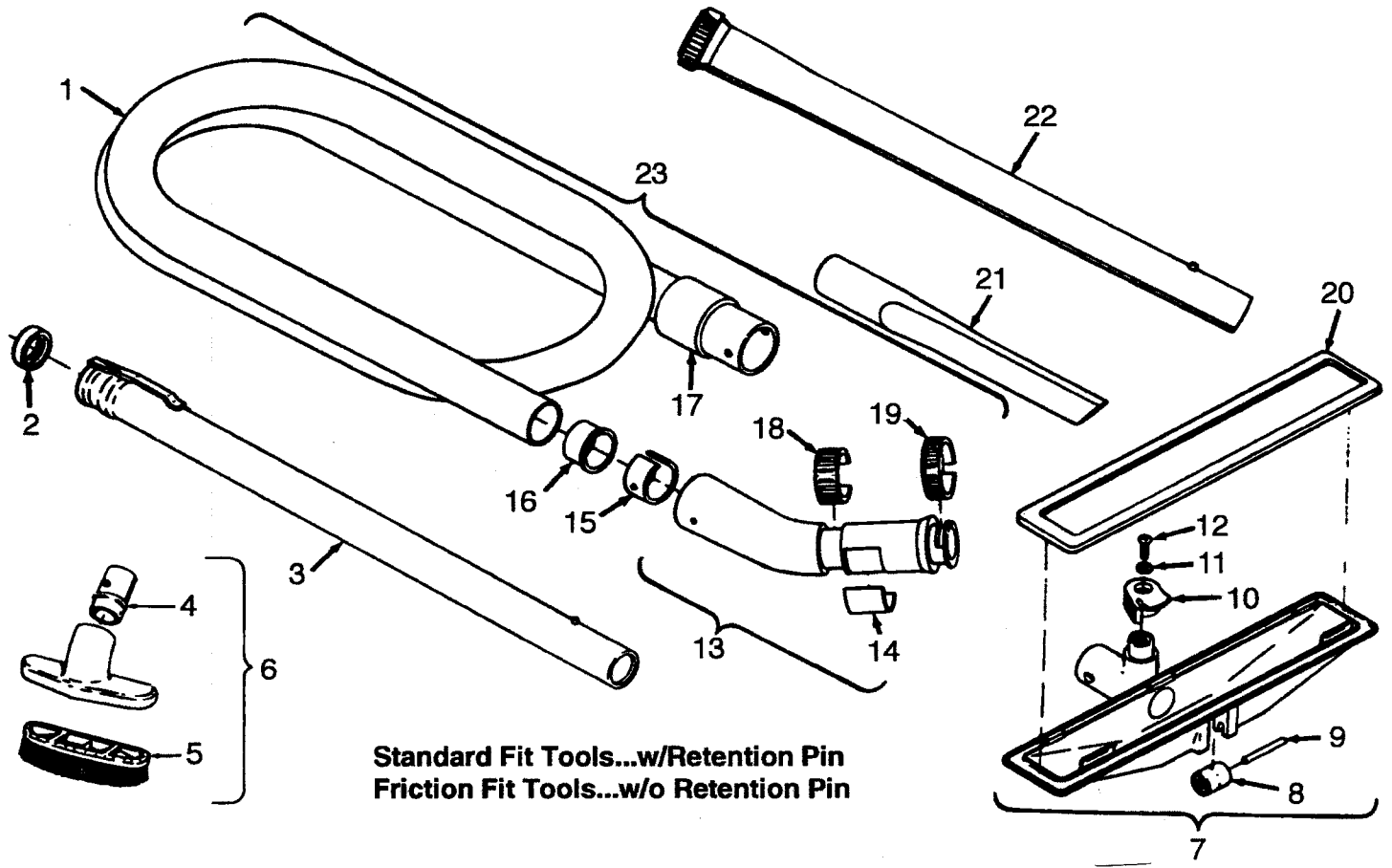
1	51639058		Handle Tube Nameplate - U3341-900
	51639095		Handle Tube Nameplate
2	46513007	+	Lead Wire Assem.
3	36957012		Handle Support - AG
4	36142001		Drive Control Pin - AG
5	38421021		Switch Button - AG (2)
6	48663153		Handle Grip - Upper Half Assem. - MR U3315, U3315-070, U3335 (Incl. It 4,5,7
7	38421042		Switch Actuator - AG
8	31754002		Handle Sleeve
9	43211010		Control Cable
10	28179021		Switch
11	27666702	*	Terminal (3)
12	37258082		Terminal Shield
13	34777017		Handle Support Plate
14	21447125	*	Screw - Self Tapping (2)
15	39458033		Handle Grip - Lower - AG U3329, U3341-900
16	21447041	*	Screw - Self Tapping
17	46143068		Black Lead Wire Assem.
18			Tape
19	51869001		Warning Label
20	21447122	+*	Screw - Self Tapping
21	37258077		Handle Cover - AAK
	37258078		Handle Cover - KT - U3329
	37258116		Handle Cover - WW - U3341-900
22	46363195		Cord
	46363195		Attach. Cord Assem. Comp. - U3341-900
23	34253010	*	Retainer
24	48643097	+	Handle Tube Assem.
	48643098		Handle Tube Assem.
	48631123		Handle Tube Assem. - U3341-900
25	12227		Insulated Terminal (2)

800-353-9991
VacshopUSA.com e-mail
vacsrus@VacshopUSA.com

Motor

Models U3315, U3315-070, U3317, U3319-9, U3319-970, U3321, U3323, U3329, U3331,
U3335, U3341-900, U3715-930, U3721-910, U3721-930, U3725-930, U3729-910, U3729-930, U3737-910, U3737-930

	43576074		Motor Assem. Comp.
1	21479573		Screw - Self Tapping (2)
2	32162003		Motor Mount
3	47315010		Brush & Terminal Assem. (2)
4	47318008		Brush Carrier Assem. (2)
5	38353004		Spring (2)
6	21479302	+	Screw - Self Tapping (2)
7	42193004	*	Motor Housing Assem.
8	44765065		Armature Assem. Comp. □
9	45317027		Field Assem. Comp.
10	12854		Spring
11	43588001		Fan Chamber Assem.
12	38785002		Seal
13	54821001		Tape
14	38755003		Fan
15	166563	*	Washer (3)
16	33426001		Nut
17	38736015		Fan Cover Assem.



Standard Fit Tools...w/Retention Pin
Friction Fit Tools...w/o Retention Pin

800-353-9991 VacshopUSA.com e-mail vacsrus@VacshopUSA.com

Cleaning Tools - Concept
Model U3903 (Standard)

1	43431069	+	Hose Less Ends (Continuous Convolutions) - (Std. Fit Ends)
	43434203		Hose Assembly Complete
	38671001		Hose Less Ends (Circular Ribbed) - (Std. Fit Ends)
	38671030		Hose Less Ends (Circular Ribbed) - (Friction Fit Ends)
2	12845JM		Gasket
3	43453027		Extension Tube
4	13149JM		Nozzle Connector Tube (Use w/161852JM)
5	13254BZ	+	Brush Back Comp. (Use w/161852JM)
6	161852JM	+	Furniture Brush Comp.
	43414016		Furniture Brush - AG (Std. Fit)
7	43482077		Converter - (Standard & Friction Fit)
8	32761008		Wheel
9	21155119		Roller Shaft
10	38452054		Latch Lever
11	31142012		Washer
12	17001FW		Screw
13	43466044		Hose Grip - AAP - with suction control (Use w/Continuous Convolution Hose) (Std. Fit)
	43466055	+	Hose Connector Curved w/Ring (w/o Suction Regulator) (Use with Circular Ribbed Hose) - (Std. Fit)
	39454059		Hose Connector Curved - AAP - (Hand Grip) (Friction Fit)
14	51869006		Hose Connector Label
15	36116006		Hose Connector Collar (Use w/Continuous Convolution Hose) - (Std. Fit. Hose)
	36171025		Hose Connector Collar (Use w/Circular Ribbed Hose) - (Std. Fit Hose)
16	32156010		Hose Sleeve (Std. Fit Hose)
17	32288007		Hose Connector (Use w/Continuous Convolution Hose) - (Std. Fit)
	32288003		Hose Connector (Use w/Circular Ribbed Hose) - (Std. Fit)
	32288004		Hose Connector - AAP - (Friction Fit)
18	38711006		Suction Control Ring - (Standard)
19	36153009		Latch Ring - (Standard)
20	43548006		Converter Sea]
21	38617017		Crevice Tool - (Std. Fit)
	38617024		Crevice Tool
22	3863801P		Ext. Tube - AG - Poly - Std. Fit
	38634078		Ext. Tube (Polystyrene) - (Friction Fit)
23	43434203		Hose Comp.-Front Conversion (Continuous Convolutions) (w/o Suction Regulator) - (Std. Fit)
	43434209		Hose Comp. - Front Conversion (Circular Ribbed) (w/o Suction Regulator)- (Std. Fit)
	43434225	+	Hose Comp. - AAP - (Friction Fit)
	43414057		Furniture Nozzle - (Std. Fit)
	38614029		Furniture Nozzle - (Friction Fit)
	43466040		Ext. Tube - Curved
	170110	+	Shag Rake
	43414145		Dusting Brush - Friction
	43414135		Floor Brush - Friction

800-353-9991 VacshopUSA.com e-mail vacsrus@VacshopUSA.com