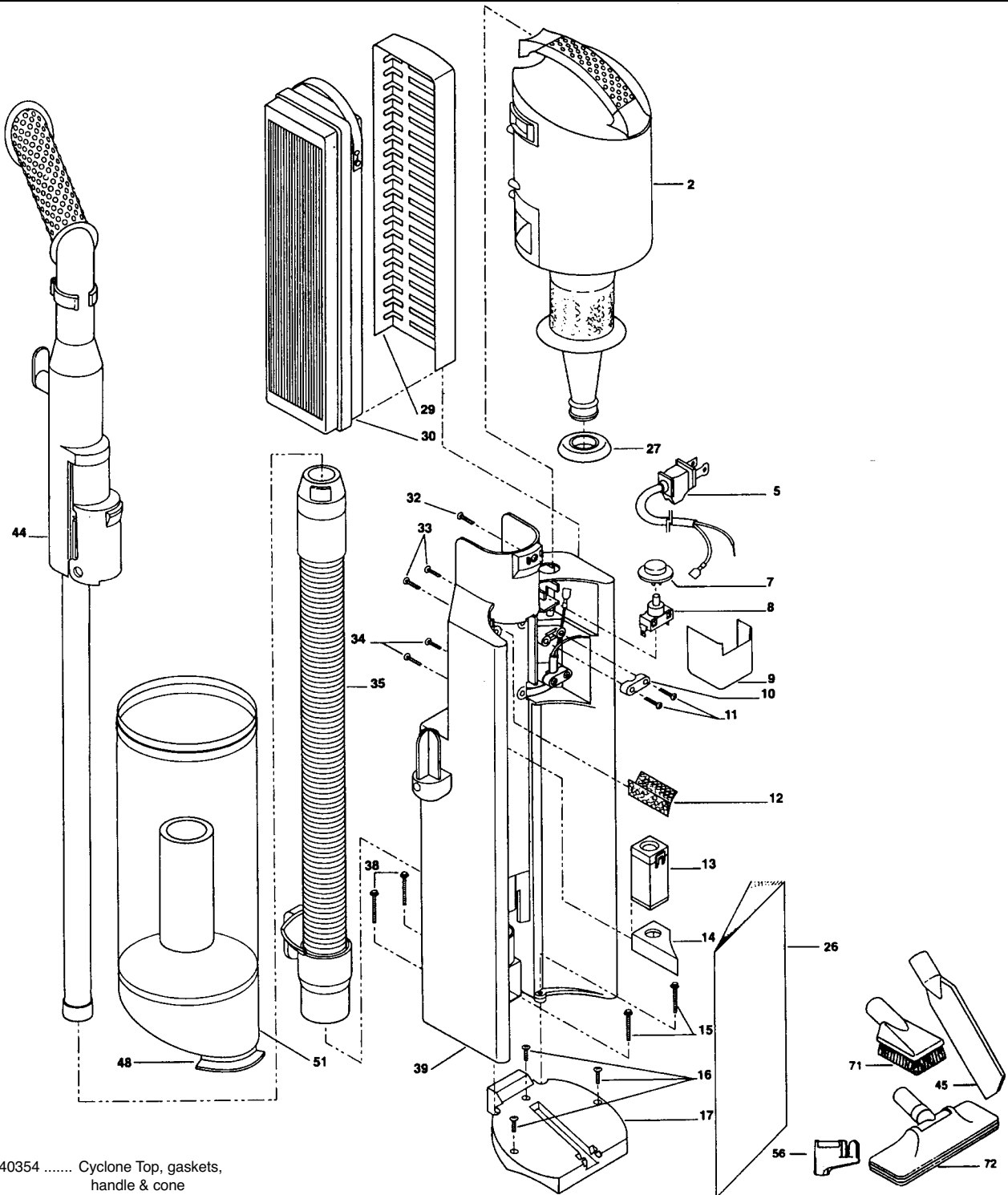


# FANTOM

Models: FYXX01 Fury



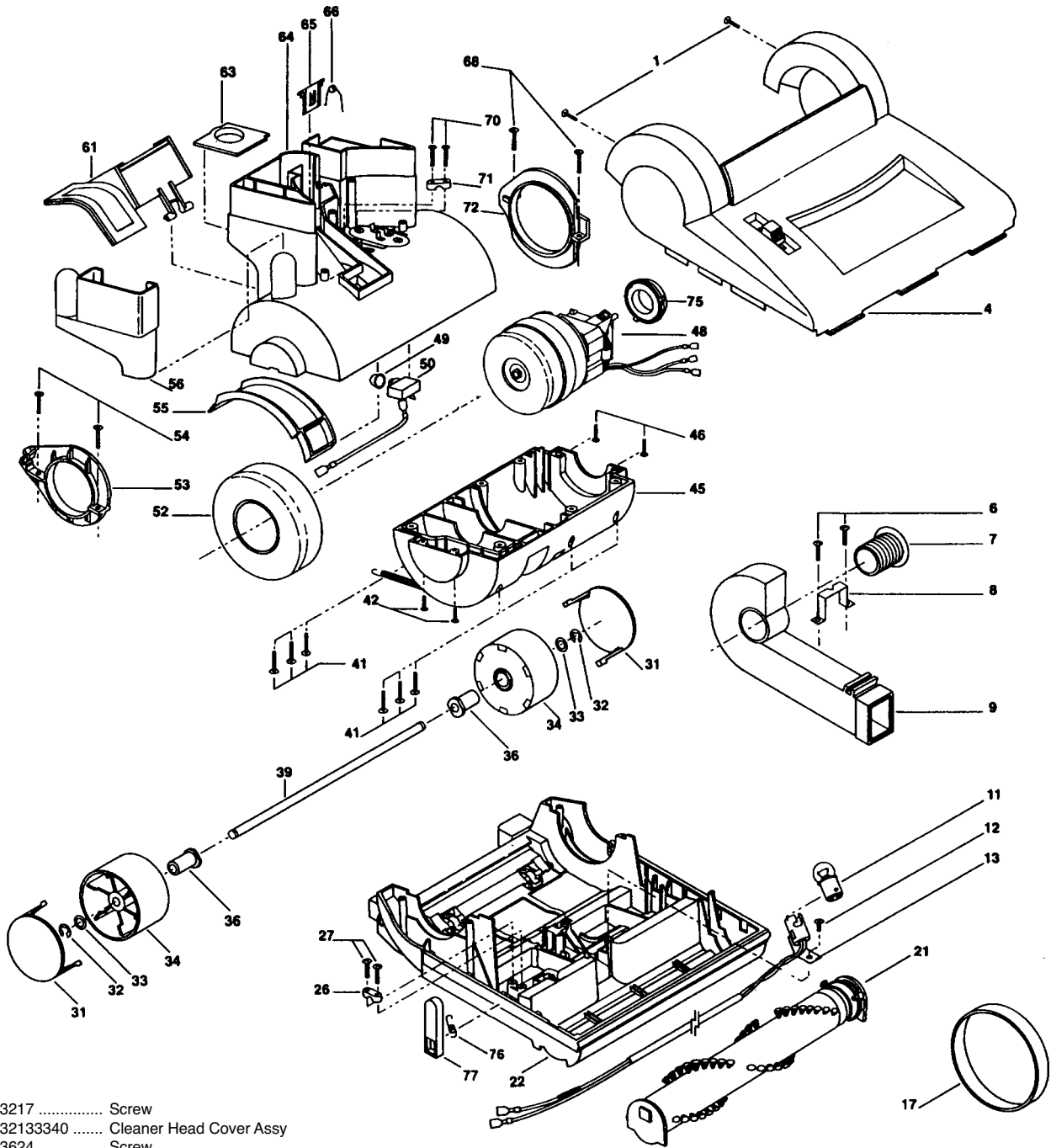
- 2 ..... FT-733940354 ..... Cyclone Top, gaskets, handle & cone
- 5 ..... FT-732741 ..... Power Cord, 30'
- 7 ..... FT-731300353 ..... Switch Button, on/off
- 8 ..... FT-73169 ..... Switch, on/off
- 9 ..... FT-73266 ..... Insulator, switch
- 10 ..... FT-70070 ..... Cord Clamp
- 11 ..... FT-03493 ..... Screw
- 12 ..... FT-73120 ..... Motor Fluff Screen
- 13 ..... FT-73304 ..... Augmenter Assy
- 14 ..... FT-731390340 ..... Augmenter extension
- 15 ..... FT-73265 ..... Screw

- 16 ..... FT-63628 ..... Screw
- 17 ..... FT-731930340 ..... UMC Cap & Seal Assy
- 27 ..... FT-712400340 ..... Cone Seal
- 29 ..... FT-73432 ..... Filter Cover, english
- 30 ..... FT-731710353 ..... Filter Cartridge
- 32 ..... FT-63704 ..... Screw
- 33 ..... FT-63704 ..... Screw
- 34 ..... FT-63704 ..... Screw
- 35 ..... FT-73423 ..... Hose Assy
- 38 ..... FT-63740 ..... Screw

- 39 ..... FT-733950340 ..... Air Duct Assy
- 44 ..... FT-734240340 ..... Handle & Wand Assy
- 45 ..... FT-711900340 ..... Crevice Tool
- 48 ..... FT-731480353 ..... Bin Catch
- 51 ..... FT-734390353 ..... Bin Assy
- 56 ..... FT-731520340 ..... Holster
- 71 ..... FT-711860340 ..... Dusting Brush Assy
- 72 ..... FT-711892340 ..... Floor Nozzle Assy

# FANTOM

Models: FYXX01 Fury



- 1 ..... FT-73217 ..... Screw
- 4 ..... FT-732133340 ..... Cleaner Head Cover Assy
- 6 ..... FT-63624 ..... Screw
- 7 ..... FT-73140 ..... Transfer Tube
- 8 ..... FT-73246 ..... Rotary Valve Clamp
- 9 ..... FT-733300340 ..... Rotary Valve & Gasket Assy
- 11 ..... FT-63635 ..... Light Bulb
- 12 ..... FT-63650 ..... Screw
- 13 ..... FT-73467 ..... Bulb Socket / Leads
- 17 ..... FT-73108 ..... Brush Belt
- 21 ..... FT-73397 ..... Brush Roll Assy
- 22 ..... FT-733980340 ..... Base Assy
- 26 ..... FT-70070 ..... Cord Clamp
- 27 ..... FT-03493 ..... Screw
- 31 ..... FT-731120340 ..... Wheel Cap
- 32 ..... FT-03353 ..... "E" Clip
- 33 ..... FT-64079 ..... Washer

- 34 ..... FT-731130340 ..... Rear Wheel
- 36 ..... FT-71085 ..... Sleeve Bearing
- 39 ..... FT-731600007 ..... Rear Axle
- 41 ..... FT-63393 ..... Screw
- 42 ..... FT-63021 ..... Screw
- 45 ..... FT-733990340 ..... Lower Motor Cover, balance spring & seals assy
- 46 ..... FT-63021 ..... Screw
- 48 ..... FT-73472 ..... Motor & Gasket Assy
- 49 ..... FT-71292 ..... Thermal Reset Seal
- 50 ..... FT-73400 ..... Thermal Reset Seal & leads
- 52 ..... FT-73162 ..... Motor Mount, fan end
- 53 ..... FT-73269 ..... Pivot Bearing Assy, LH
- 54 ..... FT-63624 ..... Screw

- 55 ..... FT-73123 ..... Rotary Valve Seal
- 56 ..... FT-731520340 ..... Holster
- 61 ..... FT-734010340 ..... Inspection Plate, seal, flap
- 64 ..... FT-734020340 ..... Upper Motor Cover Terminal Board & Seal Assy
- 65 ..... FT-731190340 ..... Bypass Door
- 66 ..... FT-73164 ..... Bypass Door Spring
- 68 ..... FT-63624 ..... Screw
- 70 ..... FT-03493 ..... Screw
- 71 ..... FT-70070 ..... Cord Clamp
- 72 ..... FT-73268 ..... Pivot Bearing Assy, RH
- 75 ..... FT-73357 ..... Motor Mount Assy
- 76 ..... FT-73190 ..... Plunger Spring
- 77 ..... FT-731890340 ..... Plunger