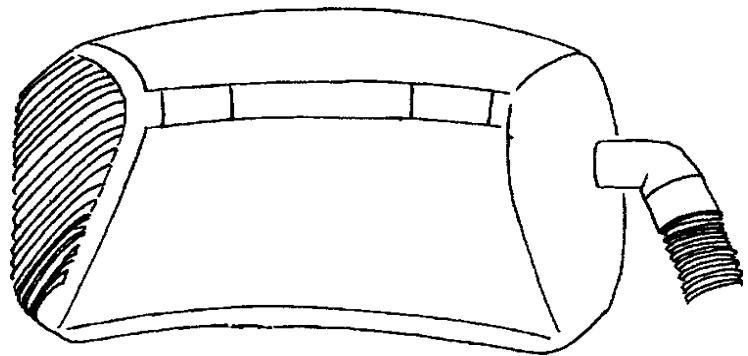
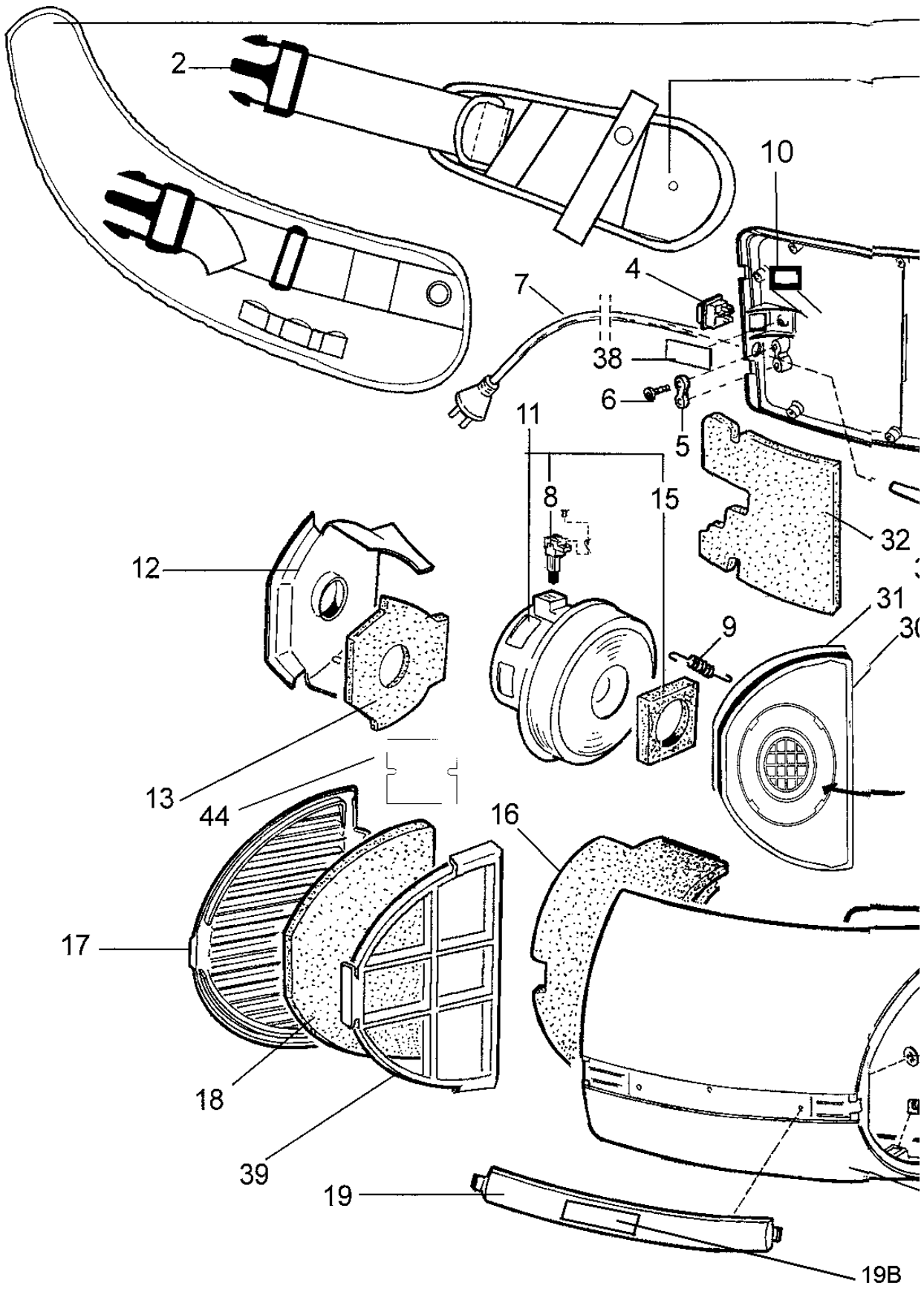


# UZ 964

Ergoclean, HipVac™



## SPARE PARTS LIST

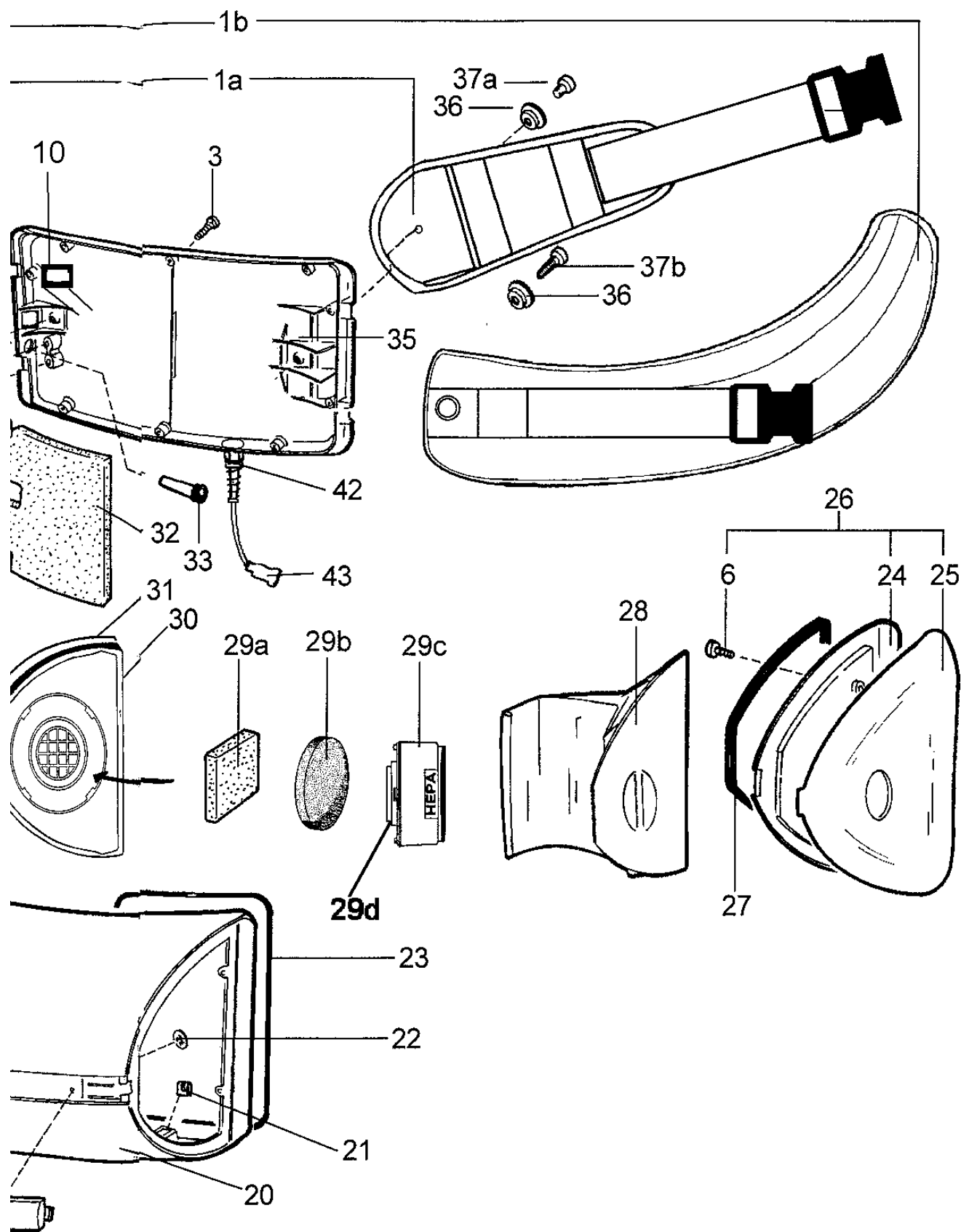


ItemNo	Qty.	Part No	Description
1a	1	140 7096 000	Belt cpl.w.locking
1b	1	140 7343 000	Belt cpl.w.locking (US-version)
2	1	140 7074 000	Locking cpl.
3	10	140 9214 150	Screw
4	1	140 5496 000	Switch
5	1	056 1014 060	Anti strain clip
	1	140 6560 000	Anti strain clip, UL-approved
6	4	140 9214 040	Screw
7	1	See table	Cord set
8	2	142 0947 000	Carbon brush, for 230-240V, old type of fan unit
	2	142 0947 010	Carbon brush, for 115-120V, old type of fan unit
	2	142 0947 020	Carbon brush, for 100-110V, old type of fan unit
	2	140 9885 000	Carbon brush, for 140 7143 010 400Hz motor
	2	>>140 8092 500	Carbon brush kit, for all 140 8077 xxx new type of fan units
9	4	140 6792 000	Spring
10	1	140 6916 000	Suppressor - Capicator, for old fan unit
	1	>> 140 8166 010	Suppressor - Capicator, for 140 8077 xxx new type of fan units
11	1	See table	Fan unit
12	1	140 6633 000	Silencer
	1	140 6633 010	Silencer, UL-approved
13	1	140 6558 000	Insulation, silencer
14	1	<b>P</b> 140 4325 000	Grounding plate
15	1	140 6791 000	Gasket
16	1	140 6556 000	Insulation, cover
17	1	140 6448 000	Exhaust gable, blue
	1	140 6448 030	Exhaust gable, grey
18	1	140 6597 000	Exhaust filter
19	1	<b>P</b> 140 6426 000	Cover strip, orange
	1	<b>P</b> 140 6426 010	Cover strip, orange UL-approved
	1	140 6426 030	Cover strip, grey
19b	1	140 7768 000	Label, Euroclean by N-A
	1	140 7861 010	Label, Euroclean HipVac Sr
	1	140 7769 000	Label, Nilfisk by N-A
20	1	140 6443 000	Cover, blue
	1	140 6443 020	Cover blue, UL-approved
	1	140 6443 040	Cover, grey
	1	140 6443 050	Cover, grey UI-approved
21	6	140 6796 000	C-clip
22	3	140 6797 000	Spring nut
23	1	140 6798 000	Gasket
24	1	140 6446 000	Inner suction gable, blue UL-approved
	1	140 6446 030	Inner suction gable, grey
25	1	140 6447 000	Outer suction gable, blue UL-approved
	1	140 6447 030	Outer suction gable, grey
26	1	140 6699 000	Suction gable compl. blue
	1	140 6699 030	Suction gable compl. grey
27	1	140 7302 000	Gasket
28	1	140 6554 010	Dust bag 5-pack
	1	140 6554 020	Dust bag 10-pack
	1	140 6554 030	Dust bag high filtration, 1-pack
	1	140 6554 040	Dust bag high filtration, 5-pack
	1	140 6554 050	Dust bag high filtration, 10-pack
29a	1	140 6794 000	Pre filter, older version
29b	1	140 6794 010*	Pre filter, new version
29c	1	140 7160 010*	Hepa-filter, cpl.
29d	1	140 5666 000	Gasket
30	1	140 7148 000	Partition wall
	1	140 7148 010	Partition wall, UL-approved
31	1	140 6799 000	Gasket

\* Only for machines from  
serial no. 951400001/51400001

>> Means: New or changed ref. number or/and changed/new specifications.

**P** Means: Depleted when no longer on stock



PRINTED PARTS LIST	SPARE PARTS			
02-08	PARTS NUMBER			5

ItemNo	Qty.	Part No	Description
32	1	140 6557 000	Insulation, back
33	1	See table	Sleeve
35	1	140 6444 000	Back part, blue
	1	140 6444 020	Back part, blue, UL-approved
	1	140 6444 040	Back part, blue UL-appr. w. hole for outlet
	1	140 6444 050	Back part, grey
	1	140 6444 060	Back part, grey, UL-approved
		140 6906 000	Back part cpl. blue
		140 6906 020	Back part cpl. blue UL-approved
		140 6906 030	Back part cpl. grey
		140 6906 040	Back part cpl. grey UL-approved
		140 6906 050	Back part cpl. blue UL-approved w. hole for outlet
36	2	140 7696 000	Washer
37a	2	140 6559 000	Screw for belt 140 7096-000
37b	2	140 6559 010	Screw for belt 140 7343-000
38	1	140 5358 000	Insulation
39	1	140 6824 000	Filter holder
40	1	P 140 3894 000	Thermo protector, for old type of fan unit
42	1	140 5674 010	Connect.w.sleeve only for 905 2419, 905 2420
43	1	140 7311 000	Outlet f. power nozzle only for 905 2419
	1	140 7692 000	Outlet f.power nozzle only for 905 2420
44	1	140 7691 000	Insulating plate,110VAirpl.model

>> Means: New or changed ref. number or/and changed/new specifications.

P Means: Depleted when no longer on stock.

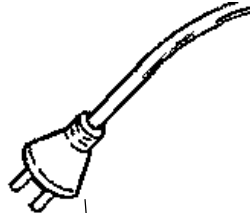
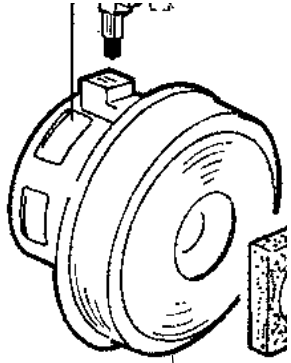
**Notes:**

The washer 140 6790 000 and spacer 140 7318 000 for fastening the belt to the back cover, is replaced by washer 140 7696 000.

6

FAN UNITS, CORD & SLEEVES

02-08



11

7

33

PRINTED PARTS LIST	SPARE PARTS UZ 964			
02-08	FAN UNITS, CORD & SLEEVES, TABLE			7

PROD. NO	VOLTAGE	FAN UNIT ITEM 11	CORD ITEM 7	SLEEVE IT.33
905 2401	230V >>	140 8077 500	140 6423 090	140 7035 000
905 2402	240V >>	140 8077 500	140 6423 110	140 7035 000
905 2403	120V >>	140 8077 510	140 6423 100	093 1027 010
905 2404	100V >>	140 8077 520	140 6423 050	093 1027 010
905 2405	230V >>	140 8077 500	140 6423 090	140 7035 000
905 2406	240V >>	140 8077 500	140 6423 110	140 7035 000
905 2407	120V >>	140 8077 510	140 6423 100	093 1027 010
905 2408	100V >>	140 8077 520	140 6423 050	093 1027 010
905 2409	240V >>	140 8077 500	140 6676 020	140 7035 000
905 2410	240V >>	140 8077 500	140 6676 020	140 7035 000
905 2411	120V >>	140 8077 510	140 3859 050	093 1027 010
905 2412	240V >>	140 8077 500	140 6423 190	093 1027 010
				+093 1043 020
905 2413	110V/400HZ	140 7143 010	140 6423 200	093 1027 010
905 2414	230V >>	140 8077 500	140 6423 120	140 7035 000
905 2416	110V >>	140 8077 520	140 6423 090	140 7035 000
905 2418	110V >>	140 8077 520	140 6423 100	093 1027 010
905 2419	120V >>	140 8077 510	140 3859 050	093 1027 010
905 2420	120V >>	140 8077 510	140 3859 050	093 1027 010
905 2421	230V >>	140 8077 500	140 6423 090	140 7035 000
905 2422	230V >>	140 8077 500	140 6423 120	140 7035 000
905 2423	240V >>	140 8077 500	140 6423 110	140 7035 000
905 2424	240V >>	140 8077 500	140 6676 020	140 7035 000
905 2425	100V >>	140 8077 520	140 6423 050	093 1027 010
905 2426	110V >>	140 8077 520	140 6423 100	093 1027 010
905 2427	110V/400HZ	140 7143 010	140 6423 200	093 1027 010
905 2428	120V/1000W>>	140 8077 530	140 3859 050	093 1027 010
905 2429	120V >>	140 8077 530	140 3859 050	093 1027 010

>> Means new or changed part numbers or/and new specifications.

**WHEN ORDERING PARTS ALWAYS STATE:**

- \* The 10 digit part numbers
- \* Quantity,
- \* Specify the model and serial numbers of the machine.

**For Electrical details also:**

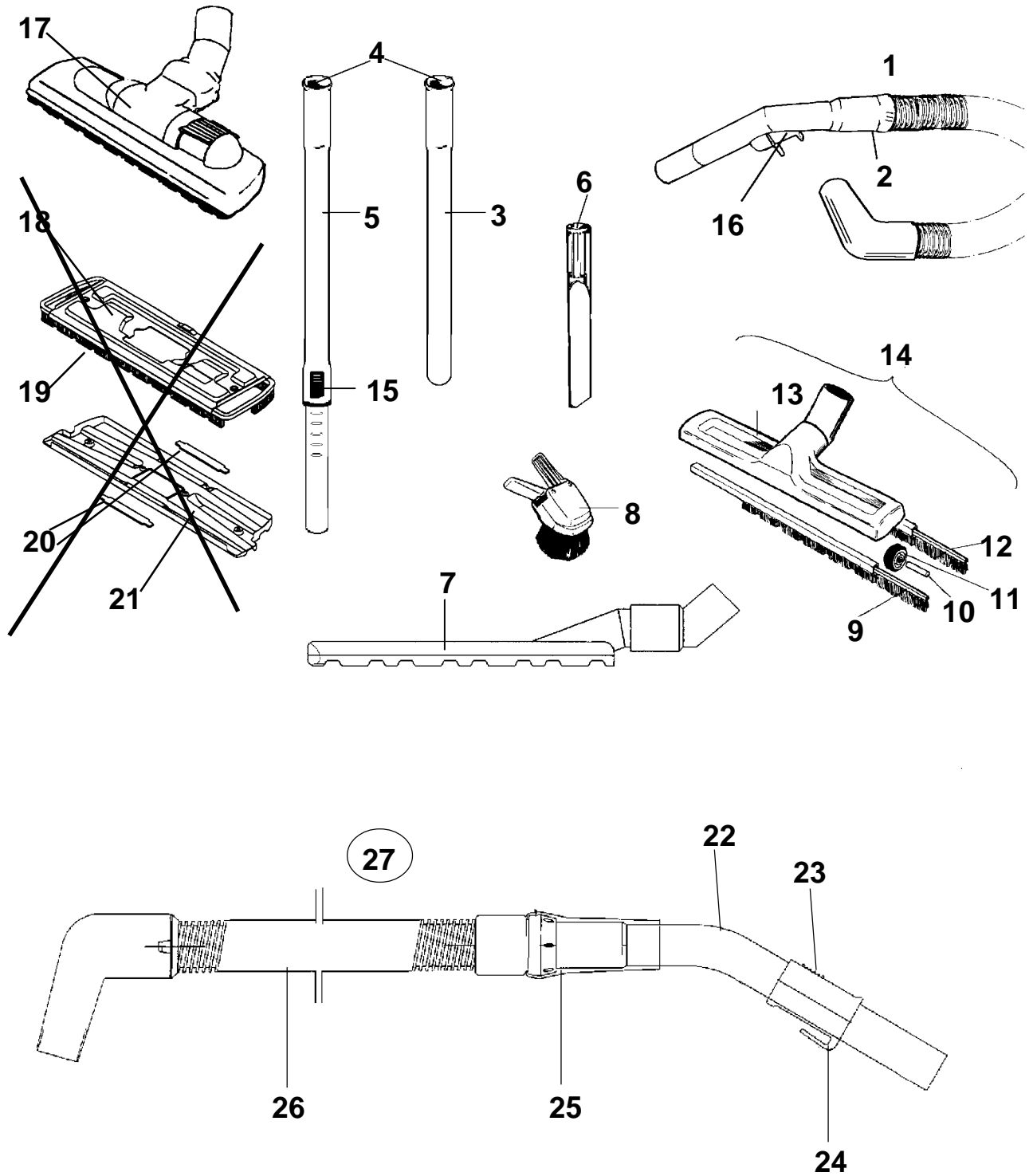
- \* Voltage
- \* Wattage

SPARE PARTS

8

NOZZLES & HOSE, LINE DRAWING

02-08



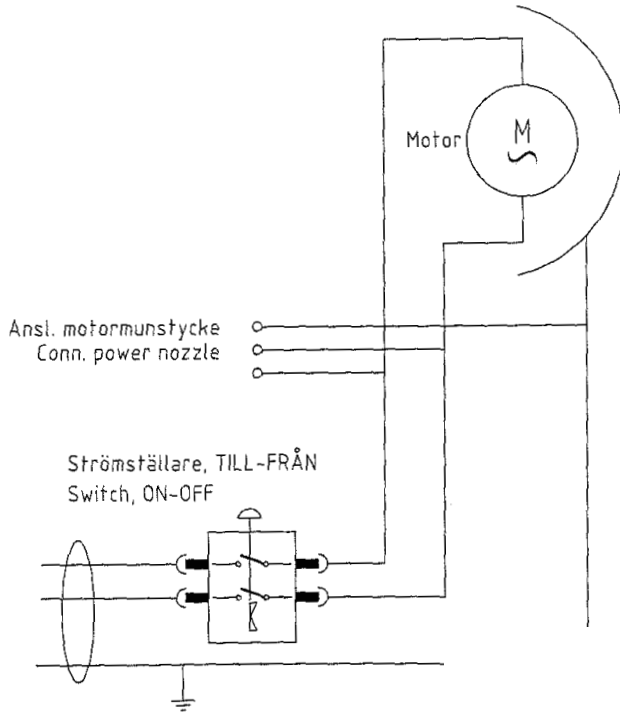


Item.	Qty.	Part No	Description
1	1	140 7082 000	Hose with sleeve
	1	140 5691 000	Hose cpl. With bent end piece and sleeve.
2	1	140 7584 000	Bent end piece cpl. Plastic
3	2	011 6431 040	Extension tube, al. 50 cm -19.6 in
	2	032 3290 010	Extension tube, pl.
4	2	011 3199 010	Insert, for aluminum extension tubes
5	1	011 8130 040	Telescopic extension tube aluminium 630 -950 mm
6	1	010 3098 250	Crevice nozzle
7	1	140 7547 000	Paddle nozzle
8	1	011 3104 230	Small comb. nozzle
9	1	140 8741 000	Brush strip, front
10	2	140 8744 000	Shaft
11	2	140 8743 000	Wheel
12	1	140 8741 010	Brush strip, rear
13	1	140 8740 000	Top
14	1	140 6700 010	Nozzle compl.
15	1	011 8136 020	Regulator
16	1	012 5475 000	Rubber packing
17	1	140 7087 000	Combination nozzle
18	1	<b>P</b> 145 9928 000	Base plate cpl.
19	1	<b>P</b> 145 9929 000	Brush
20	2	<b>P</b> 0931813 000	Little Picker
21	1	<b>P</b> 145 9930-000	Bottom plate
22	1	>> 011 6432 510	Bent end piece. Aluminium
23	1	>> 010 9613 080	Suction control
24	1	>> 010 9614 080	Retainer
25	1	>> 011 8209 030	Sleeve
26	1	>> 140 7082 000	Hose with sleeve
27		>> 140 8070 000	Hose cpl. with bent end

>> Means: New or changed ref. number or/and changed/new specifications.

**(P)** Means: depleted when no longer on stock

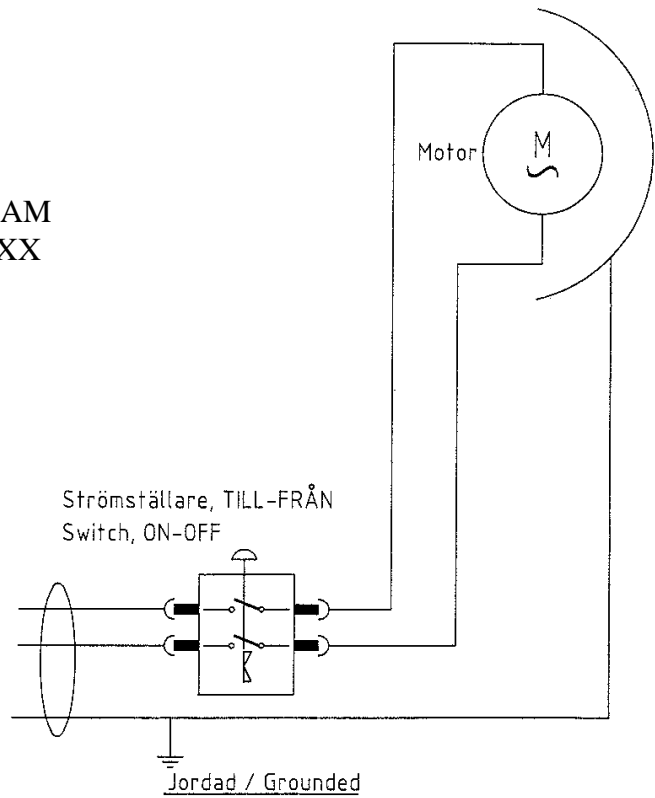
Termoskydd ingår i motorn.  
Thermal protection incl. in motor.



Jordad med motormunstycke  
Grounded with power nozzle

WIRING DIAGRAM  
FOR 140 8077 XXX  
FAN UNITS

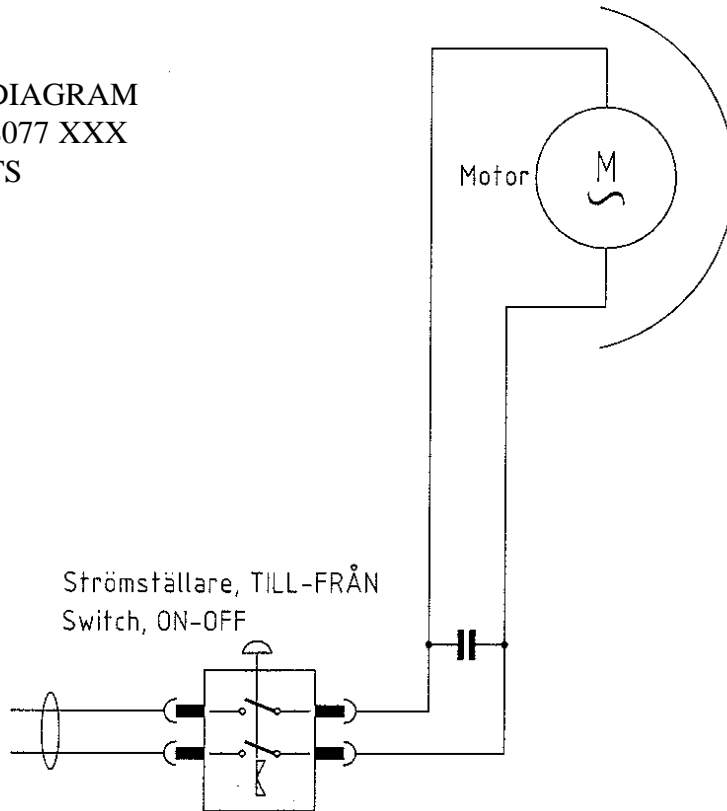
Termoskydd ingår i motorn.  
Thermal protection incl. in motor.



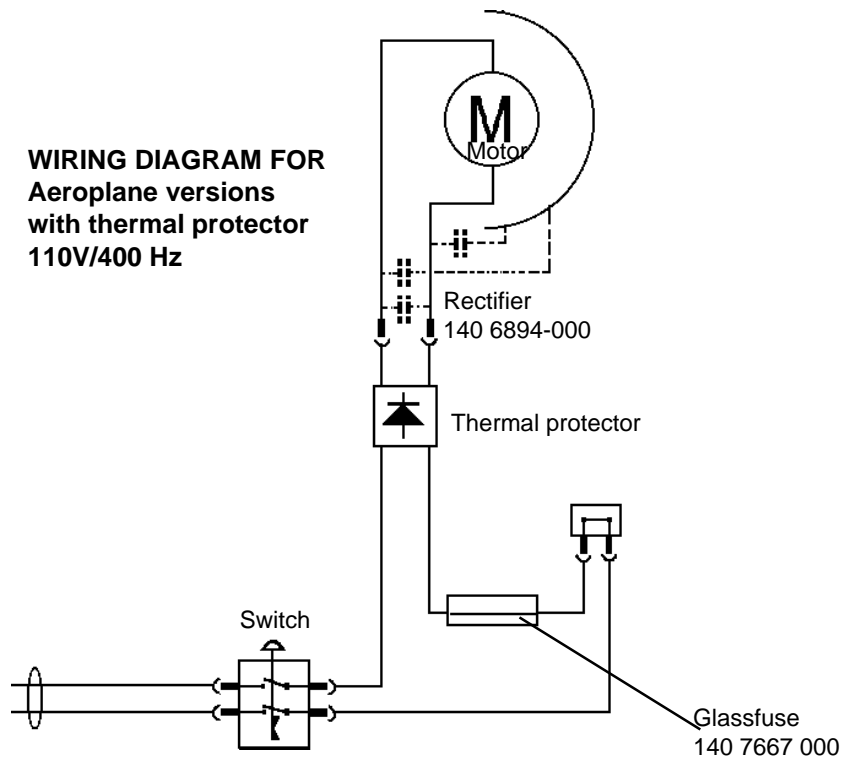
WIRING DIAGRAM  
FOR 140 8077 XXX  
FAN UNITS

Termoskydd ingår i motorn.  
Thermal protection incl. in motor.

WIRING DIAGRAM  
FOR 140 8077 XXX  
FAN UNITS



WIRING DIAGRAM FOR  
Aeroplane versions  
with thermal protector  
110V/400 Hz



SPARE PARTS LIST

--	--	--

UZ 964 ERGOCLEAN, HIPVAC™

02-08

**NOTES:** \_\_\_\_\_

\_\_\_\_\_

\_\_\_\_\_

\_\_\_\_\_

\_\_\_\_\_

\_\_\_\_\_

\_\_\_\_\_

\_\_\_\_\_

\_\_\_\_\_

\_\_\_\_\_

\_\_\_\_\_

\_\_\_\_\_

\_\_\_\_\_

\_\_\_\_\_

\_\_\_\_\_

\_\_\_\_\_

\_\_\_\_\_

**WHEN ORDERING PARTS ALWAYS STATE:**

- \* The 10 digit part numbers
- \* Quantity,
- \* Specify the model and serial numbers of the machine.

**For Electrical details also:**

- \* Voltage
- \* Wattage