

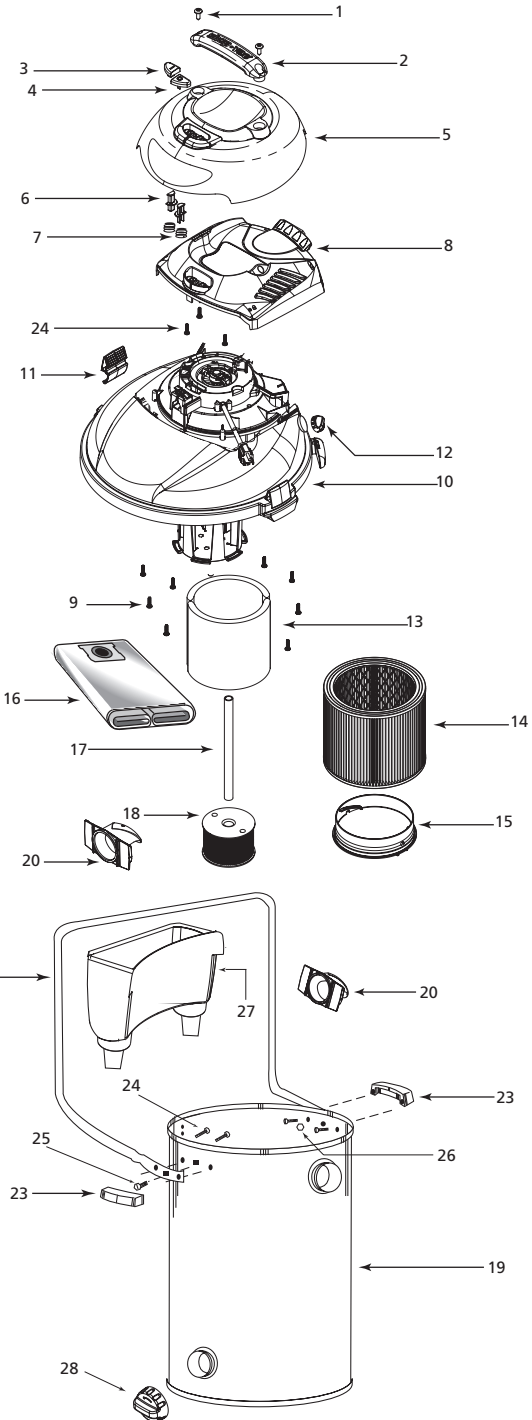


Advanced Search - [Click here](#) to locate parts below that are not linked to the shopping cart.
Or you can email us at sales@vacshopusa.com and request the part to be added to the database with price and availability.

Model 92P650A



ITEM	DESCRIPTION	PART NO.
1	Screw 1/4" x 3/4" Trilobe 30 HD	1516499
2	Handle	7444400
3	Switch Button - I	7414200
4	Switch Button - O	7414210
5	Outer Motor Cover Assembly	1944232
6	Switch Button Extension	7414250
7	Spring	2802899
8	Inner Motor Cover	3743050
9	Screw 10 - 3/4" Trilobe T25 HD	1516599
10	Power Unit Assembly	1944233
11	Lid Latch	7444500
12	Outlet Fitting Cap	7443300
13	Foam Sleeve	9058500
14	Cartridge Filter	9030400
15	Filter Retainer	3008000
16	Collection Bag	9190610
17	Pickup Tube	2723103
18	Pickup Cage Assembly	7412250
19	Tank Assembly	1092097
20	Inlet Deflector	7413100
21	Carriage Handle	2088600
22	Handle & Hardware Package (Includes 23-26)	9355596
23	Side Tank Handle	9355100
24	Screw #10 x 3/4 Hex Head	1503999
25	Bolt 1/4 - 20 x 1/2"	6401299
26	1/4 - 20 Hex Head	1300199
27	Accessory Basket	9194900
28	Drain Cover	7446520



*Replacement parts may differ from original equipment.

Standard Accessories:

- 8' (2.44 m) x 1 1/4" (3.18 cm) Locking swivel end hose
- 2 - 1 1/4" (3.18 cm) Extension wands
- 10" (25.4 cm) Wet/Dry nozzle
- 6' (1.83 m) x 2 1/2" (6.35 cm) Locking swivel end hose
- 2 - 2 1/2" (6.35 cm) Extension wands
- 14" (35.56 cm) Wet/Dry floor nozzle
- 8" (20.32 cm) Utility nozzle
- 2 1/2" (6.35 cm) Crevice tool
- Concentrator nozzle
- Hose holder
- Elbow grip



ITEM	DESCRIPTION	PART NO.
1	Cap nut	4300299
2	8" Wheel	2425010
3	Axle	2442100
4	Rear frame	9393100
5	Caster socket	7540500
6	Front frame	9393000
7	#8 x 1/2" lg. Screw	1501599
8	1/4 - 20 x 3/4" lg. machine screw	0902999
9	1/4" Flatwasher	0700399
10	1/4 - 20 Hex nut	1300199
11	Caster	6773900
12	Hardware Package (Includes 1, 5, 7-11)	4201496

