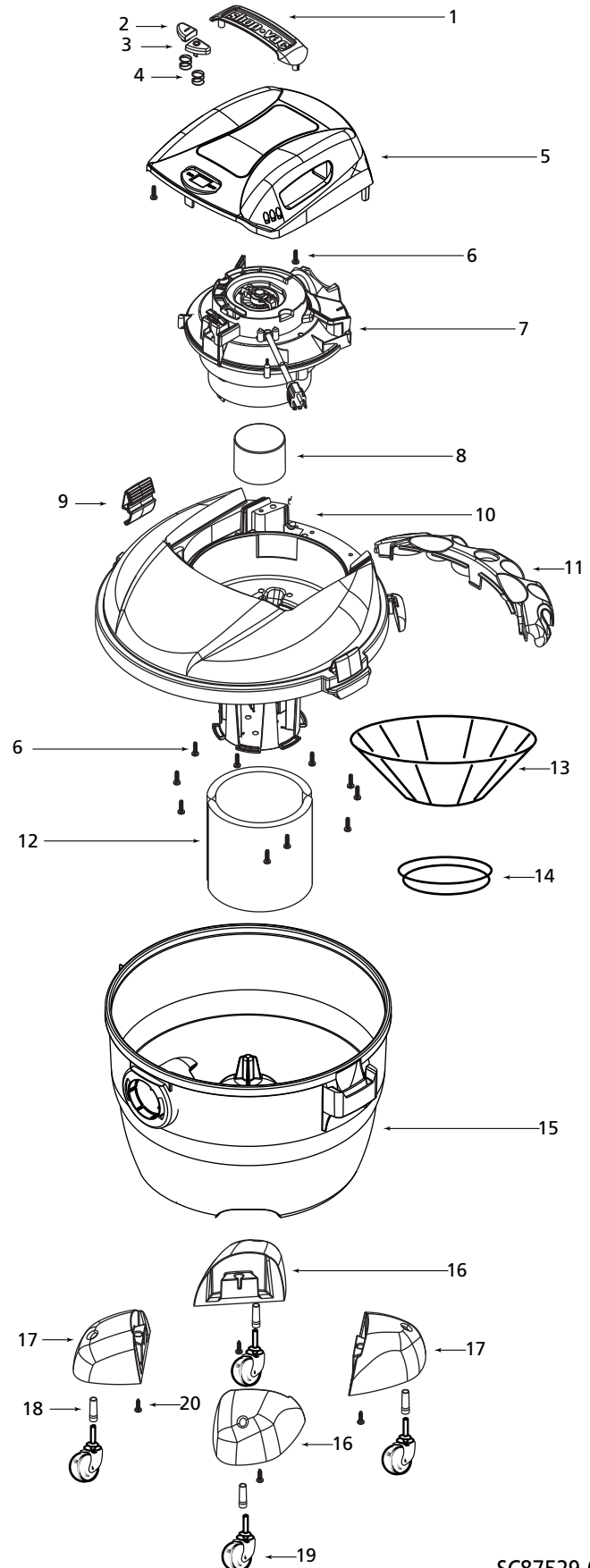
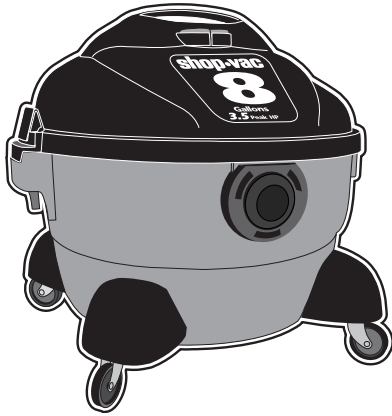


shop-vac®

# Model - 85L350

Catalog 5850800  
(8 Gal.)



ITEM	DESCRIPTION	PART NO.
1	Handle	3751000
2	Switch Button – On	7414200
3	Switch Button – Off	7414210
4	Spring	2802899
5	Motor Cover Assembly (Includes item 1-5)	1944110
6	Screw 10 x 3/4" Trilobe T25 Head	1516599
7	Power Unit Assembly	8130397
8	Float	3545000
9	Lid latch	7444500
10	Lid Cage and Latch Assembly	1944111
11	Tool Holder	8412000
12	Foam Sleeve	9058562
13	Reusable Dry Filter (Includes item 14)	9010762
14	Filter Ring	3006500
15	Tank Assembly	1025597
16	Caster Foot A	8567000
17	Caster Foot B	8567010
18	Retainer	8565500
19	Caster	6771200
20	Screw 10 x 3/4" SL Hex Head	1503999

**STANDARD ACCESSORIES**

- 7' x 1-1/4" hose
- 2 - 1-1/4" extension wands
- 10" wet/dry nozzle
- 10" squeegee insert

**TWO-YEAR HOME USE WARRANTY**

Your Shop-Vac® vacuum cleaner is warranted in normal household use, in accordance with the User Manual, against original defects in material and workmanship for a period of two years from date of purchase. Should this product be used for commercial or rental use, a 90 day limited warranty will apply. Shop-Vac Corporation warrants placing this vacuum cleaner in correct operating condition, by repair or parts replacement, during the warranty period, without charge. This warranty does not cover accessories. Use of non-recommended filters and/or accessories may void the manufacturer's warranty.