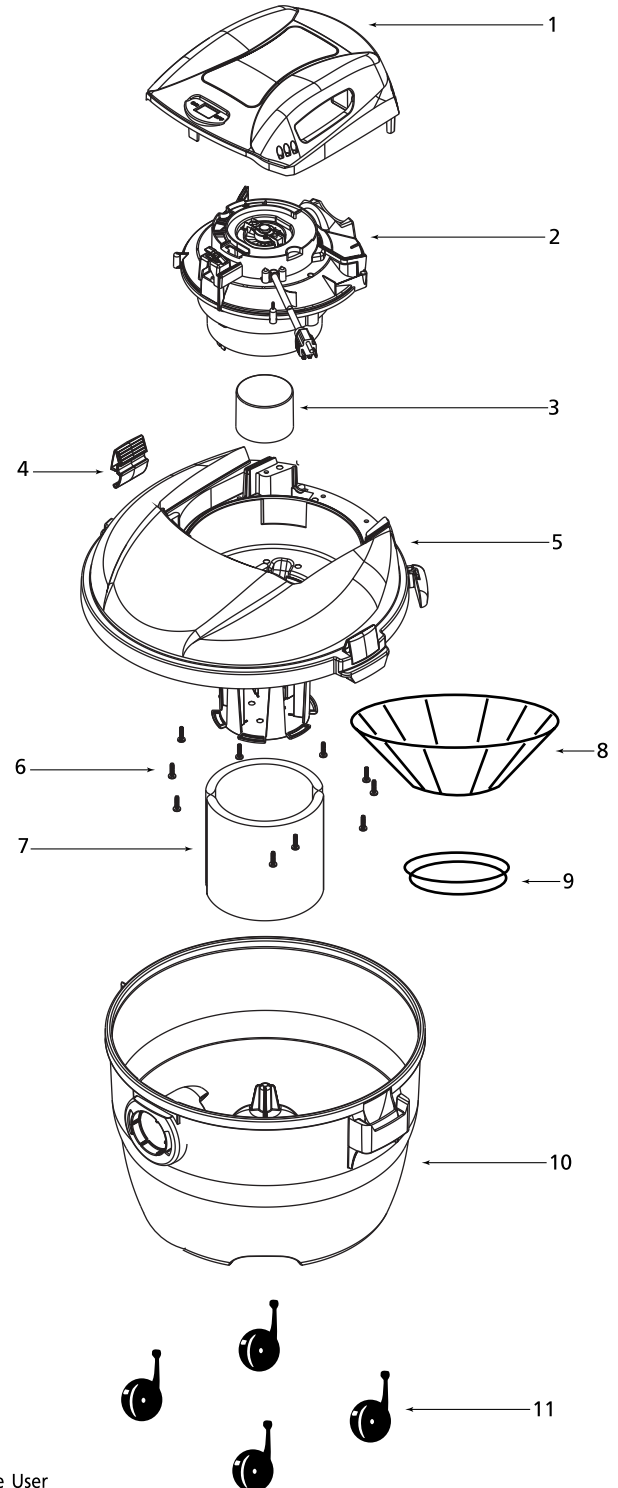


shop-vac®

Catalog 5840631 Kmart
(6 Gal.)

Model - 84M150



ITEM	DESCRIPTION	PART NO.
1	Motor cover	3740001
2	Power Unit Assembly	8131697
3	Float	3545000
4	Lid Latch	7444500
5	Lid Cage and Latch Assembly	1944095
6	Screw 10 x 3/4" Trilobe T25 Hd	1516599
7	Foam Sleeve	9058500
8	Reusable Dry Filter (Includes item 9)	9010762
9	Filter Ring	3006500
10	Tank Assembly	1024897
11	Caster	6773596

STANDARD ACCESSORIES

- 6' x 1-1/4" hose
- 2 - 1-1/4" extension wands
- 10" wet/dry nozzle
- 10" squeegee insert

TWO-YEAR HOME USE WARRANTY

Your Shop-Vac® vacuum cleaner is warranted in normal household use, in accordance with the User Manual, against original defects in material and workmanship for a period of two years from date of purchase. Should this product be used for commercial or rental use, a 90 day limited warranty will apply. Shop-Vac Corporation warrants placing this vacuum cleaner in correct operating condition, by repair or parts replacement, during the warranty period, without charge. This warranty does not cover accessories. Use of non-recommended filters and/or accessories may void the manufacturer's warranty.