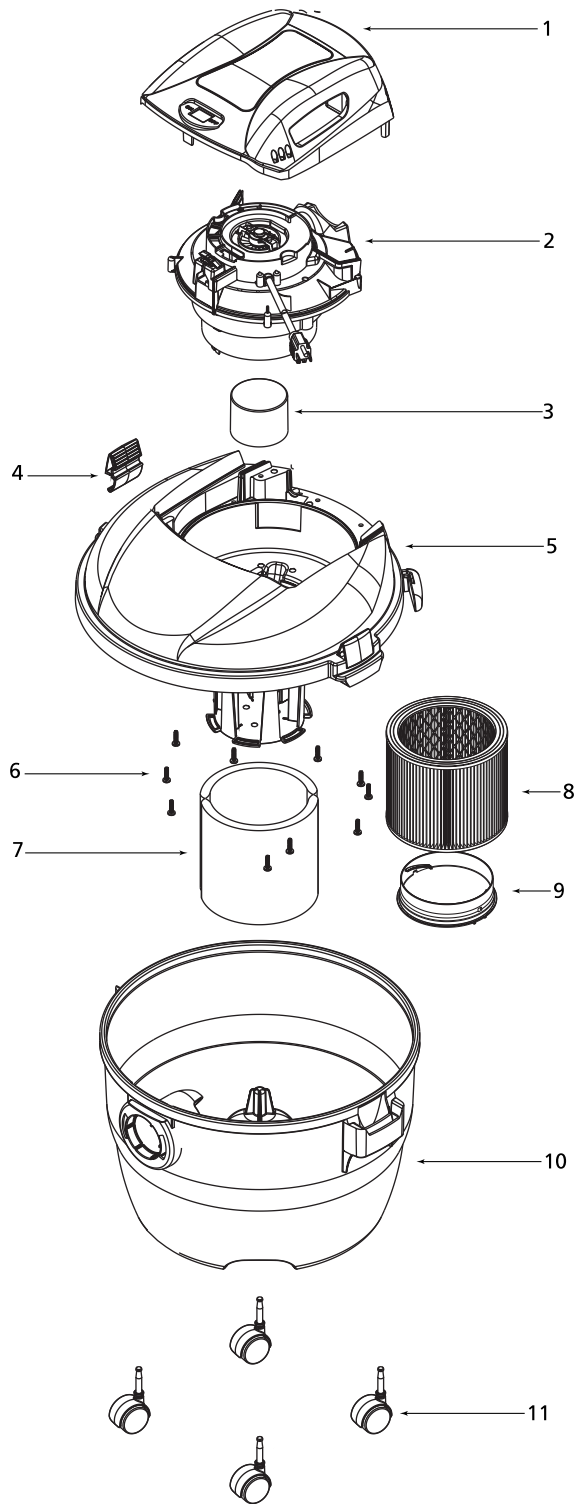
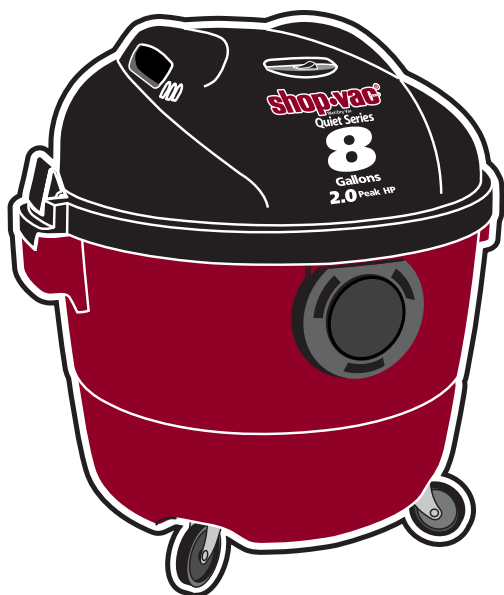


shop-vac®

Catalog 5840831 Kmart
(8 Gal.)

Model - 84L200



ITEM	DESCRIPTION	PART NO.
1	Motor cover	3742000
2	Power Unit Assembly	8131197
3	Float	3545000
4	Lid Latch	7444500
5	Lid Cage and Latch Assembly	1944094
6	Screw 10 x 3/4" Trilobe T25 Hd	1516599
7	Foam Sleeve	9058562
8	Cartridge Filter (Includes item 9)	9030462
9	Filter Retainer	3008000
10	Tank Assembly	1024797
11	Caster	6774200

STANDARD ACCESSORIES

- 6' x 1-1/4" hose
- 2 - 1-1/4" extension wands
- 10" wet/dry nozzle
- 10" squeegee insert

TWO-YEAR HOME USE WARRANTY

Your Shop-Vac® vacuum cleaner is warranted in normal household use, in accordance with the User Manual, against original defects in material and workmanship for a period of two years from date of purchase. Should this product be used for commercial or rental use, a 90 day limited warranty will apply. Shop-Vac Corporation warrants placing this vacuum cleaner in correct operating condition, by repair or parts replacement, during the warranty period, without charge. This warranty does not cover accessories. Use of non-recommended filters and/or accessories may void the manufacturer's warranty.