

# **REPAIR PARTS LIST**

## **SANITAIRE**

**COMMERCIAL UPRIGHT**

# **MODEL SC887-B**

800-353-9991 [VacshopUSA.com](http://VacshopUSA.com) e-mail [sales@VacshopUSA.com](mailto:sales@VacshopUSA.com)

53143 SHOULDER SCREW (PKG. 10 1 USED) →

53122 STRAIN RELIEF BUSHING (PKG. 10 1 USED) →

26833-1 ADJUSTMENT KNOB →

54097-2 HOOD & NAMEPLATE ASS'Y. →

37654 NAMEPLATE

55754 DECAL

60192-1 WIRE SPLICE (PKG. 5 3 USED) →

53228-2 SCREW (PKG. 10 1 USED) →

53160 CABLE CLAMP (PKG. 5 1 USED) →

53238-13 SCREW (PKG. 10 1 USED) →

36409-13 PUSH SWITCH

55446 SWITCH NUT

53102 WASHER (PKG. 10 1 USED)

53238-14 SCREW (PKG. 10 3 USED)

56379 AIR INLET DUCT ASS'Y. (R.H.) →

49052-3 FOAM TAPE

54352-11 MOTOR ASS'Y. →

56380 AIR INLET DUCT ASS'Y.

49052-3 FOAM TAPE

30517 MOTOR MTG. GASKET →

53228-2 SCREW (PKG. 10 1 USED)

53213-4 NUT (PKG. 10 1 USED)

24834A-1 FOOT PEDAL →

53097 FOOT PEDAL SPRING (PKG. 5 1 USED) →

55296 WIRE & TERMINAL →

48820-1 GROUNDING WIRE ASS'Y →

53238-14 CLAMP SCREW (PKG. 10 4 USED) →

53140 CLAMP & SCREW ASS'Y. (PKG. 6 2 USED) →

53228-7 SCREW (PKG. 10 2 USED)

38288-1 CLAMP □

36263 WHEEL COVER →

14763-1 BELLOWS □

53117 HOOD SPRING (PKG. 10 2 USED) →

53425-12 BASE ASS'Y. NOT ILLUSTRATED

24964A-1 CAM (R.H.)

24965A-1 CAM (L.H.)

53118 RIVET CAM (PKG. 10 2 USED)

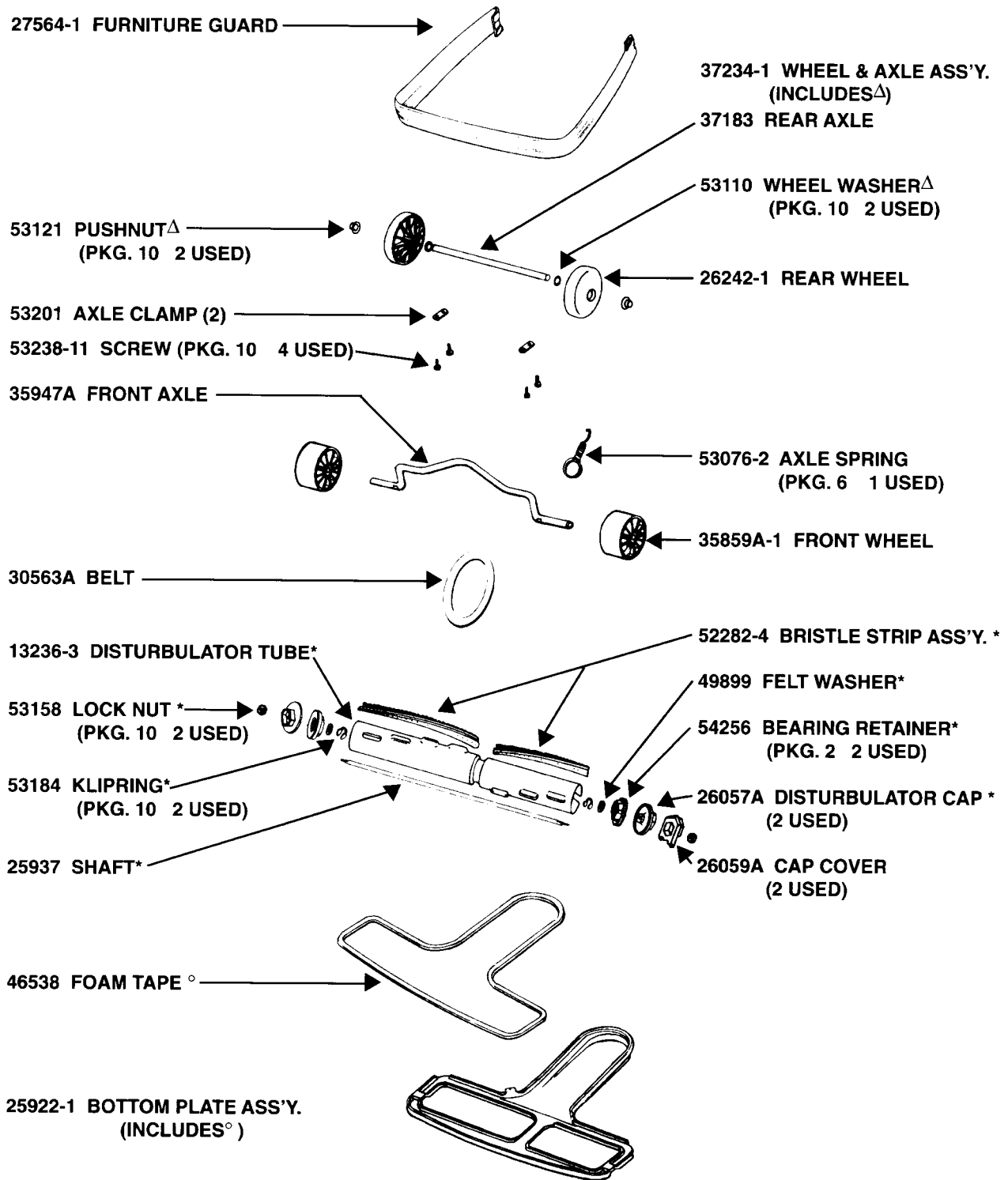
53133 WASHER (PKG. 10 2 USED)

30517 MOTOR SEAL GASKET Δ →

13770-1 FAN CHAMBER COVER Δ →

53238-14 SCREW Δ (PKG. 10 2 USED) →

52334 FAN CHAMBER REPLACEMENT KIT (INCLUDES Δ)



**NOTE**  
 PT. NO. 53270  
 DISTURBULATOR ASS'Y.  
 (INCLUDES\*)

# 54352-11 MOTOR ASSEMBLY

53138

~~53158~~ RETAINER SCREW  
(PKG. 10 3 USED)

20217E RETAINER ASSEMBLY

53213-4 HEX NUT  
(PKG. 10 4 USED)

53222-3 LOCKWASHER  
(PKG. 10 2 USED)

53219-2 BRUSH SCREW  
(PKG. 10 2 USED)

30478 MOTOR BRUSH ASSEMBLY (2)

54396 MOTOR COVER

54395-4 ARM, FAN & BEARING ASSEMBLY  
53088-1 BEARING (PKG. 5 1 USED)  
30474A FAN

53441-10 FIELD ASSEMBLY

54169-1 MOTOR BASE ASSEMBLY  
42875 BEARING & RETAINER ASS'Y.  
53088-1 BEARING (PKG. 5 1 USED)  
53187-1 RIVET (PKG. 10 3 USED)

46713-1 TIE FASTENER

53142 ORLO THD. SCREW  
(PKG. 10 2 USED)

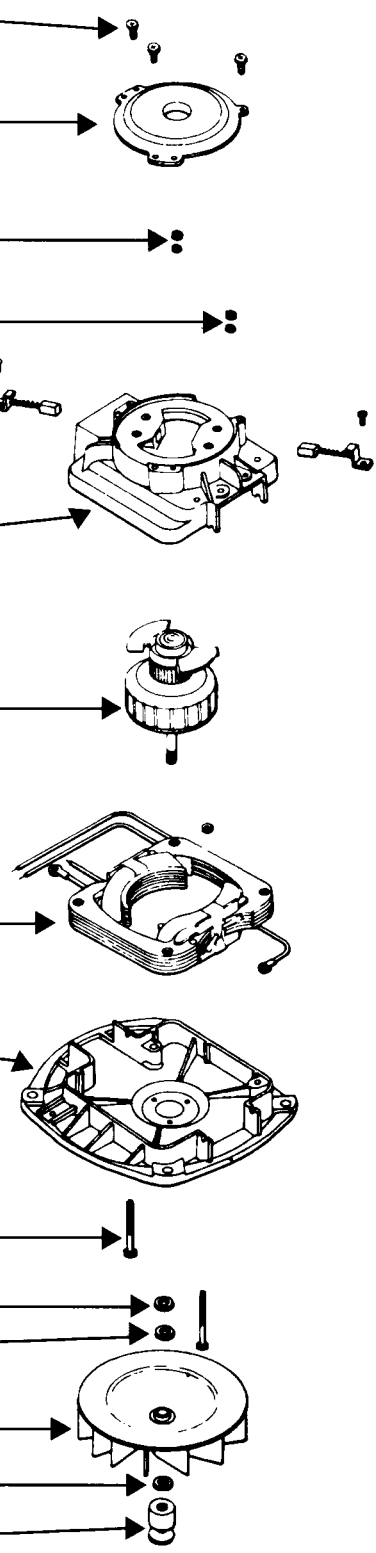
53188-1 WASHER  
(PKG. 10 1 USED)

53148 FAN WASHER  
(PKG. 10 1 USED)

12988 FAN

53148 FAN WASHER  
(PKG. 10 1 USED)

37012-2 PULLEY



800-353-9991 VacshopUSA.com e-mail sales@VacshopUSA.com

35293-6 HANDLE GRIP<sup>Δ</sup>

14766-2 CORD RETAINER

25329-35 UPPER HANDLE ASS'Y.  
(INCLUDES<sup>Δ</sup>)

53198-1 SCREW & NUT ASS'Y.  
(PKG. 6 1 USED)

27261-2 LOWER HANDLE TUBE

52370-12 SUPPLY CORD

53228-2 SCREW  
(PKG. 10 1 USED)

38495 SPRING

53198-1 SCREW & NUT ASS'Y.  
(PKG. 6 1 USED)

38183-1 HANDLE SOCKET ASS'Y.

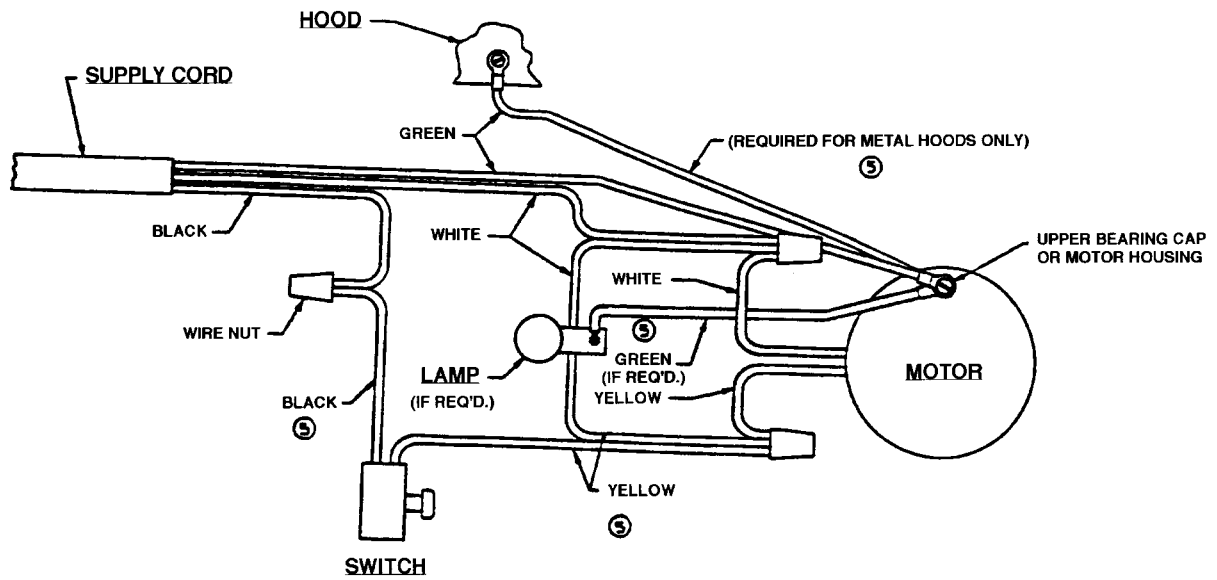
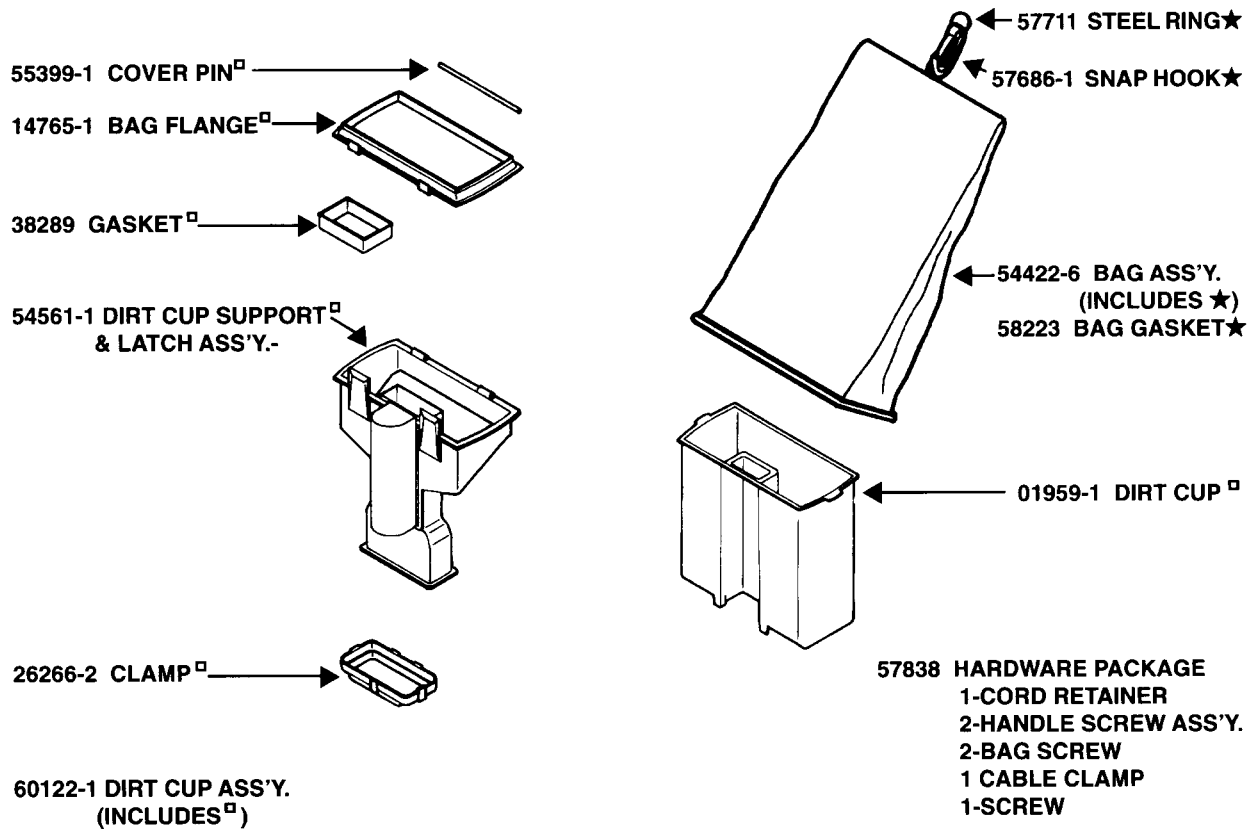
53238-13 SCREW  
(PKG. 10 2 USED)

53213-5 NUT  
(PKG. 10 2 USED)

36439 HDLE. SOCKET SHIELD

53145 BOLT  
(PKG. 10 2 USED)

800-353-9991 VacshopUSA.com e-mail sales@VacshopUSA.com



36575 WIRING DIAGRAM