

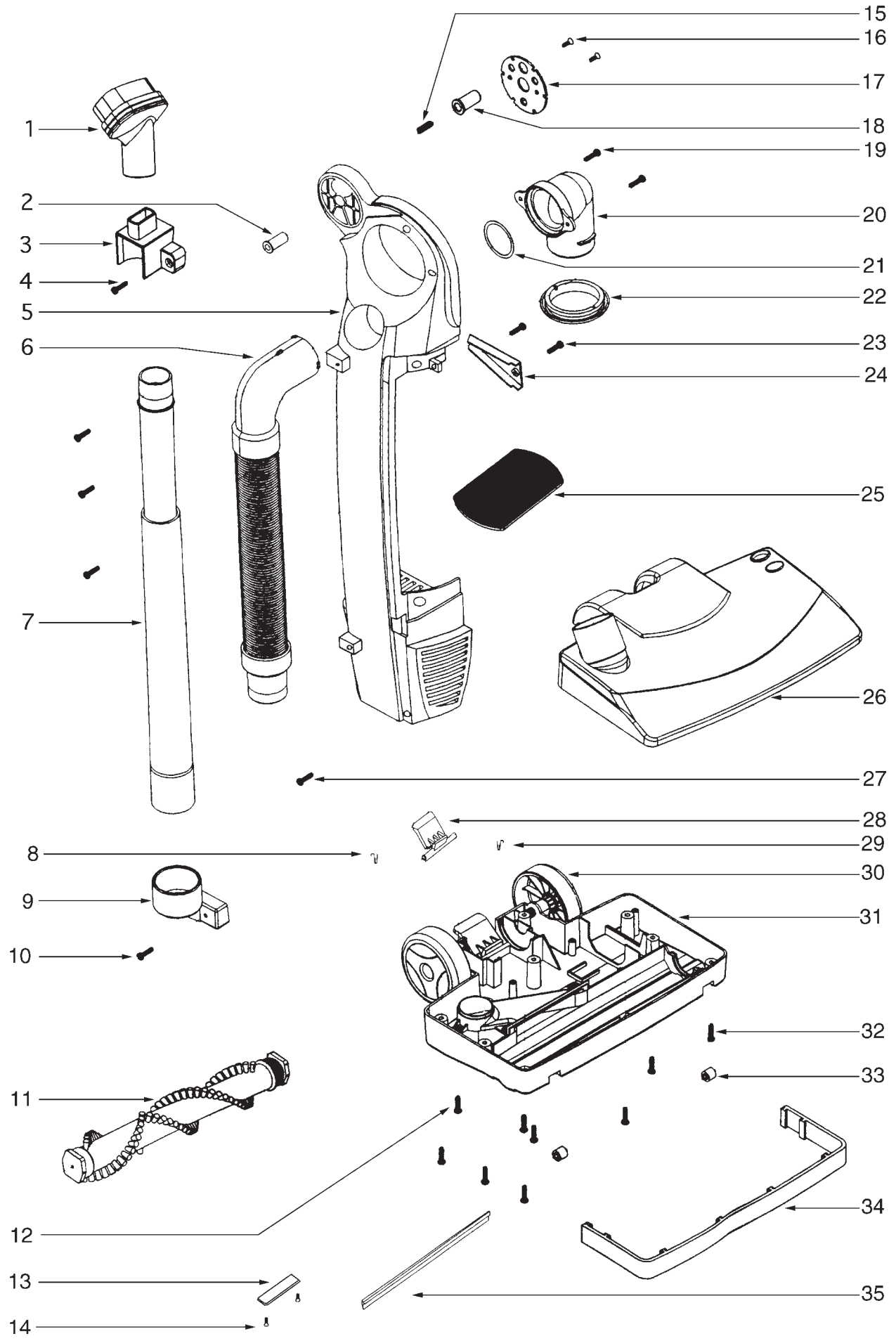
REPAIR PARTS LIST

SANITAIRE COMMERCIAL UPRIGHT MODEL

SC785AT-1

800-353-9991 VacshopUSA.com
e-mail sales@VacshopUSA.com

Date: June 4, 2002

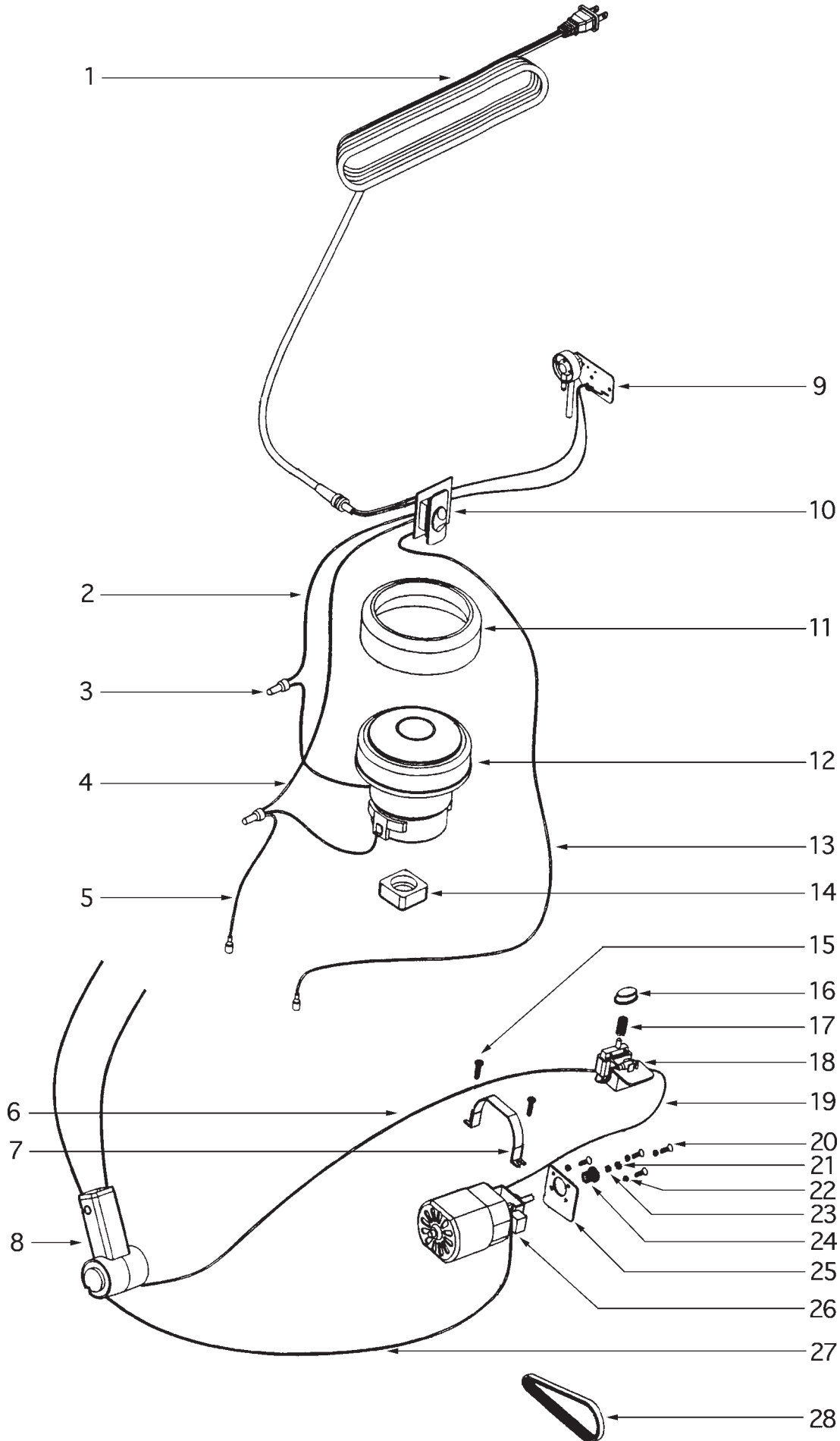


SC785AT-1

1.	61126	DUSTING BRUSH
2.	61159	INTERLINE
3.	61160	DUSTING BRUSH SUPPORT
4.	61165-1	SCREW - pkg of 10
5.	61204-4	MACHINE COVER (LH)
6.	61129-1	HOSE ASSEMBLY
7.	61127	NESTING WAND ASSEMBLY
8.	61163	WAND SUPPORT
9.	61680	TORQUE SPRING (LH) - pkg of 5
10.	61165-1	SCREW - pkg of 10
11.	61128-1	BRUSH ROLL ASSEMBLY
12.	61165-2	SCREW - pkg of 10
13.	61469-2	SQUEEGEE FIX PLATE
14.	61165-1	FIX PLATE SCREW - pkg of 10
15.	61180	SPRING - pkg of 5
16.	61165-3	SCREW - pkg of 10
17.	61174	FIX PLATE
18.	61173	HANDLE BUTTON
19.	61165-1	SCREW - pkg of 10
20.	61172-2	BEND PIPE
21.	61171	SEAL RING
22.	61169	SEAL RING
23.	61165-1	SCREW - pkg of 10
24.	61168-2	LEFT SIDE GUIDE
25.	61123	MOTOR FILTER
26.	61175-2	HOOD ASSEMBLY
27.	61165-1	SCREW - pkg of 10
28.	61463	FOOT PEDAL
29.	61681	TORQUE SPRING (RH) - pkg of 5
30.	61214	REAR WHEEL ASSEMBLY
31.	61170-2	BASE ASSEMBLY*
32.	61165-1	SCREW - pkg of 10
33.	61164	FRONT WHEEL ASSEMBLY
34.	61167	FURNITURE GUARD
35.	61465	SQUEEGEE

* INCLUDES ITEMS 8, 28, 29, 30 & 35

800-353-9991 VacshopUSA.com
e-mail sales@VacshopUSA.com



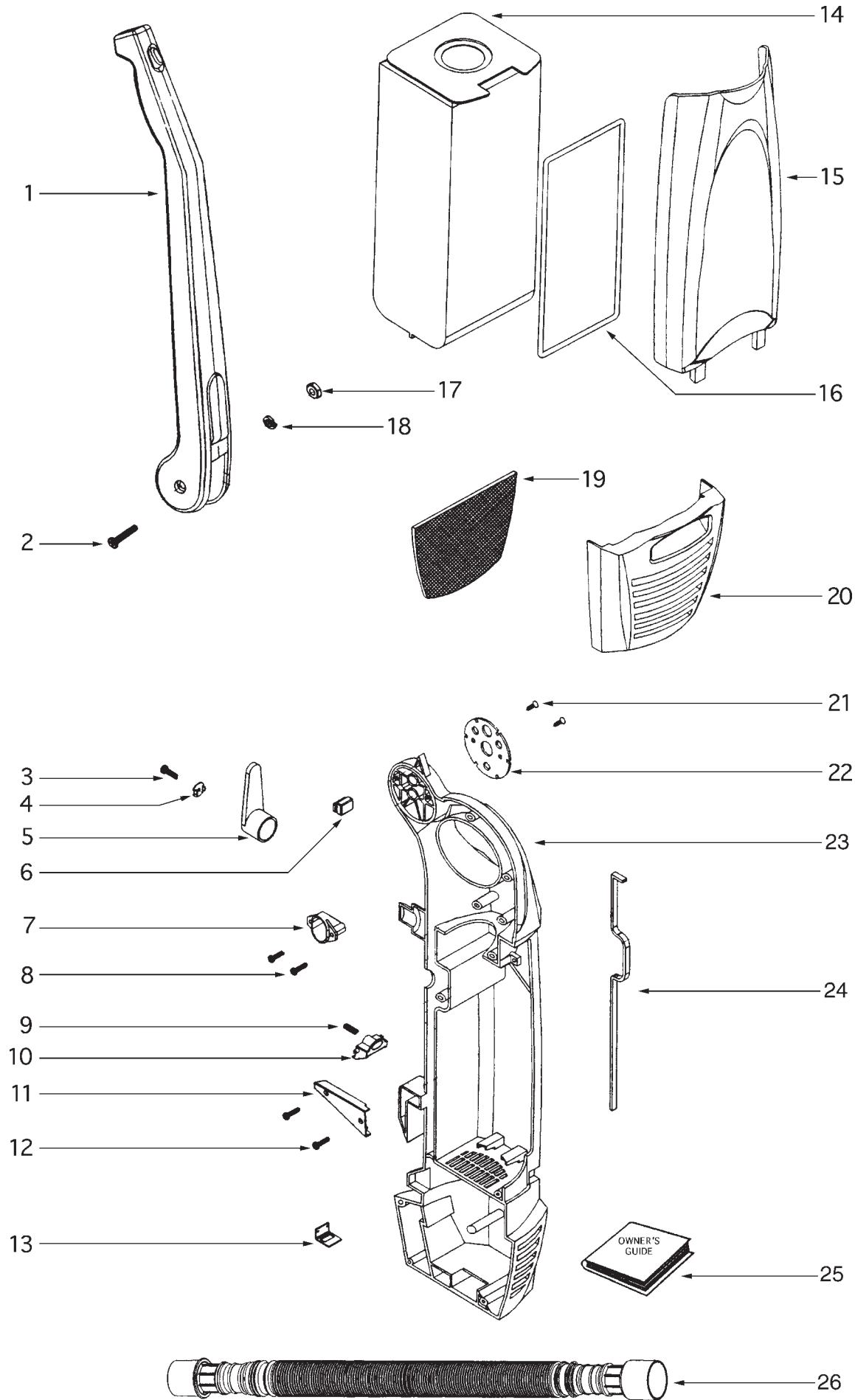
SC785AT-1

1.	61177-2	POWER CORD
2.	61183-1	CONNECT WIRE (red)
3.	61195	ELECTRICAL CONTACT - pkg of 5
4.	61183-2	CONNECT WIRE (yellow)
5.	61184-1	CONNECT WIRE (white)
6.	61184-3	CONNECT WIRE (black)
7.	61187	MOTOR FIX RING
8.	61186-2	NOZZLE JOINT
9.	61178-1	CIRCUIT BOARD ASSEMBLY WITH SWITCH*
10.	61178-1	CIRCUIT BOARD ASSEMBLY WITH SWITCH**
11.	61179-2	MOTOR HOLDER
12.	61185-1	MOTOR ASSEMBLY
13.	61184-2	CONNECT WIRE (black)
14.	61182-2	MOTOR SUPPORT
15.	61165-6	SCREW - pkg of 10
16.	61190	PUSH BUTTON
17.	61191	PUSH BUTTON SPRING
18.	61192	CIRCUIT BREAKER ASSEMBLY
19.	61183-3	CONNECT WIRE (black)
20.	61165-4	SCREW - pkg of 10
21.	61198-1	NUT - pkg of 10
22.	61199-2	SPRING WASHER - pkg of 10
23.	61199-1	SPRING WASHER - pkg of 10
24.	61194	MOTOR GEAR
25.	61189-1	FIX PLATE
26.	61188-1	BRISTLE MOTOR ASSEMBLY
27.	61184-4	CONNECT WIRE (white)
28.	61121	BELT

* INCLUDES ITEM 10

** INCLUDES ITEM 9

800-353-9991 VacshopUSA.com
e-mail sales@VacshopUSA.com



SC785AT-1

1.	61200-2	HANDLE ASSEMBLY
2.	61166	SCREW - pkg of 10
3.	61165-1	SCREW - pkg of 10
4.	61213	BRACKET
5.	61212-2	SWIVEL HOOK
6.	61211	FIX PAD
7.	61210	NEON LIGHT COVER
8.	61165-1	SCREW - pkg of 10
9.	61209	FIX SPRING
10.	61208	FIX SWITCH
11.	61207-2	RIGHT SIDE GUIDE
12.	61165-5	SCREW - pkg of 10
13.	61189-2	FIX PLATE
14.	61125	DISPOSABLE DUST BAG - pkg of 3
15.	61202-4	DUST CABINET COVER
16.	61203	GASKET
17.	61198-2	NUT - pkg of 10
18.	61199-3	SPRING WASHER - pkg of 10
19.	61124	EXHAUST FILTER
20.	61201-2	OUTLET AIR COVER
21.	61165-3	SCREW - pkg of 10
22.	61174	FIX PLATE
23.	61205-4	MACHINE COVER (RH)
24.	61206	GASKET
25.	70733	OWNER'S GUIDE
26.	61307	EXTENSION HOSE

800-353-9991 VacshopUSA.com e-mail sales@VacshopUSA.com