

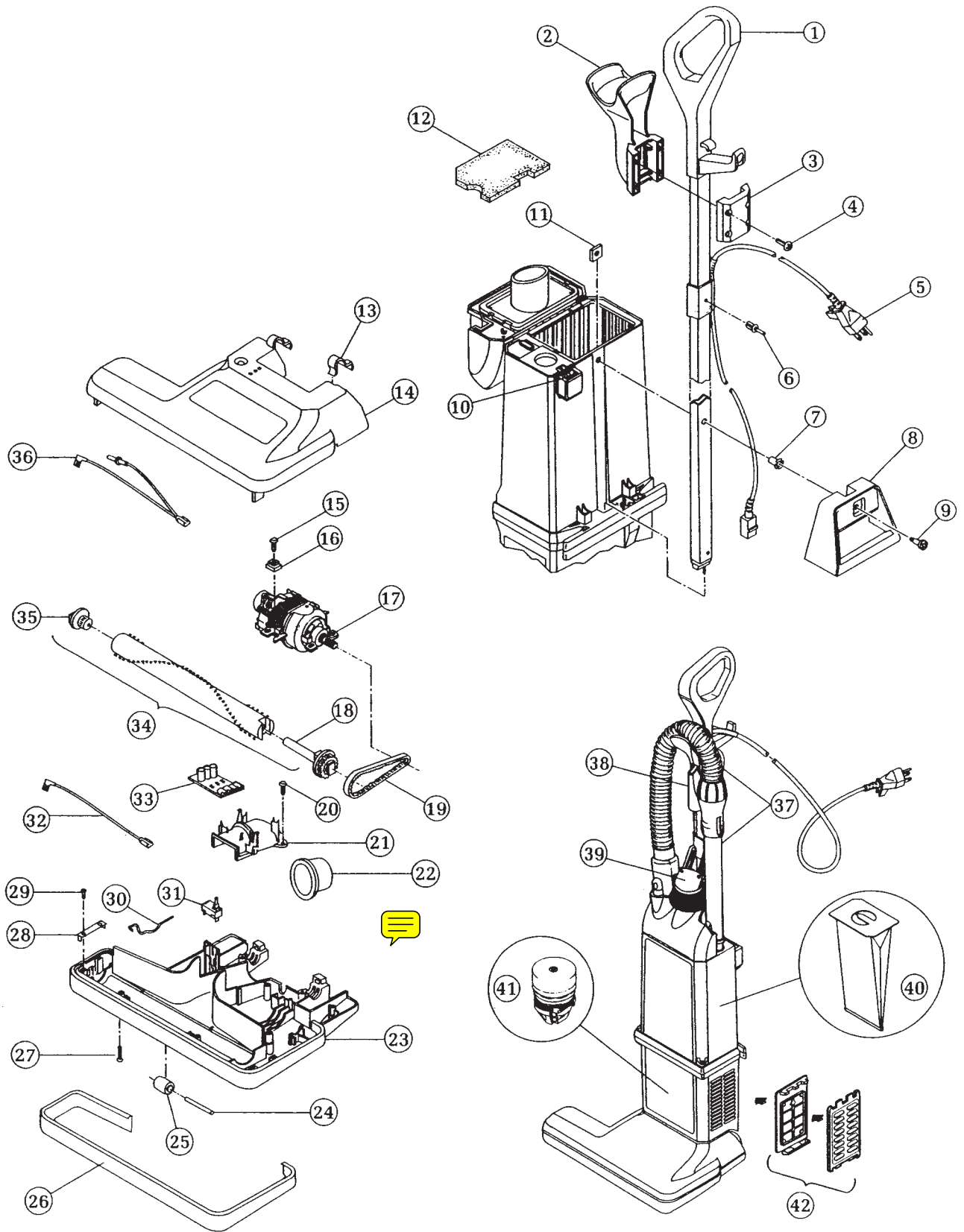


REPAIR PARTS LIST

SC6600A

COMMERCIAL TWO MOTOR UPRIGHT

Date: August 14, 2003



SC6600A

1.	05440-0216-0414	HANDLE ASSEMBLY
2.	09570-0107-0414	HOSE & TOOL CADDY (FRONT)
3.	09570-0108-0414	TOOL CADDY (REAR)
4.	00233-0051-18	SCREW FOR TOOL CADDY
	05440-0218	TOOL CADDY KIT*
5.	39857	SUPPLY CORD
6.	00438-0010	RIVET
7.	05332-0006-0000	HANDLE BUSHING
8.	05440-0172	CARRY HANDLE
9.	00209-0007-33	SCREW FOR HANDLE MOUNTING
10.	00941-0061	SWITCH - ON/OFF
11.	09765-0011	HANDLE NUT PLATE
12.	05501-0011	MOTOR FILTER
13.	07518-0011	DETENT SPRING
14.	07510-0153-0423	BASE COVER
15.	00253-0018-18	SCREW FOR MOTOR
16.	05148-0009-0262	GROMMET
17.	62058-1	BRUSHROLL MOTOR
18.		PULLEY - ONLY AVAILABLE WITH #34
19.	07527-0027	BELT
20.	00253-0018-18	SCREW FOR NOZZLE COVER
21.	07552-0036-0000	NOZZLE COVER
22.	07240-0041-0000	HOSE SLEEVE (HOSE NOT PICTURED Part # 07210-0128)
23.	07520-0132-0262	BASE
24.	07543-0025	FRONT ROLLER SHAFT
25.	07516-0025-0262	FRONT ROLLER
26.	05139-0140-0414	BUMPER
27.	00263-0019-23	SCREW FOR BASE
28.	07538-0020	BRUSH RETAINER
29.	00232-0018-18	SCREW FOR BRUSH RETAINER
30.	07529-0008	WIRE FORM
31.	00938-0091	CIRCUIT BREAKER
32.	06726-0959	LEAD ASSEMBLY - BLUE (SPI BOARD TO CIRCUIT BREAKER)
33.	00938-0141	PERFORMANCE INDICATOR - SPI BOARD
34.	62077-1	BRUSHROLL ASSEMBLY**
35.		BRUSH BEARING - ONLY AVAILABLE WITH #34
36.	06726-0886	LEAD ASSEMBLY - WHITE
37.	62079-1	HOSE ASSEMBLY COMPLETE***
37A.	39965-1	HOSE & COUPLING ASSEMBLY
37B.	39966-1	EXTENSION WAND & HANDLE ASSEMBLY
38.	08610-0016-0414	CREVICE TOOL
39.	07800-0066	COMBINATION UPHOLSTERY/DUSTING BRUSH
40.	62100	PAPER BAG - STYLE UP-1 (pkg of 5)
41.	62078-1	MOTOR ASSEMBLY
42.	39861	FILTER ASSEMBLY

* INCLUDES ITEMS 2, 3 & 4

** INCLUDES ITEMS 18 & 35

*** INCLUDES ITEMS 37A & 37B