

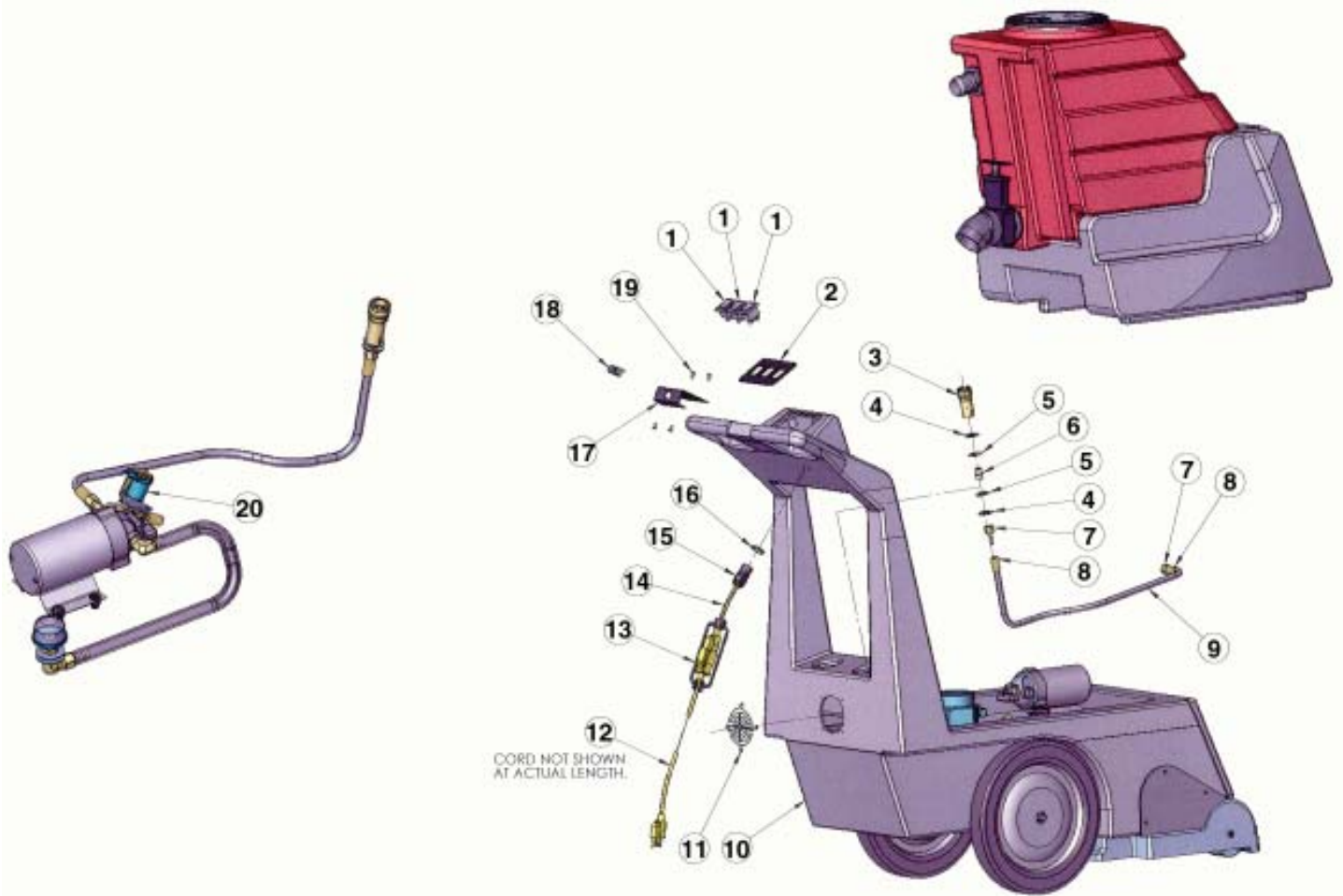


REPAIR PARTS LIST

SC6090

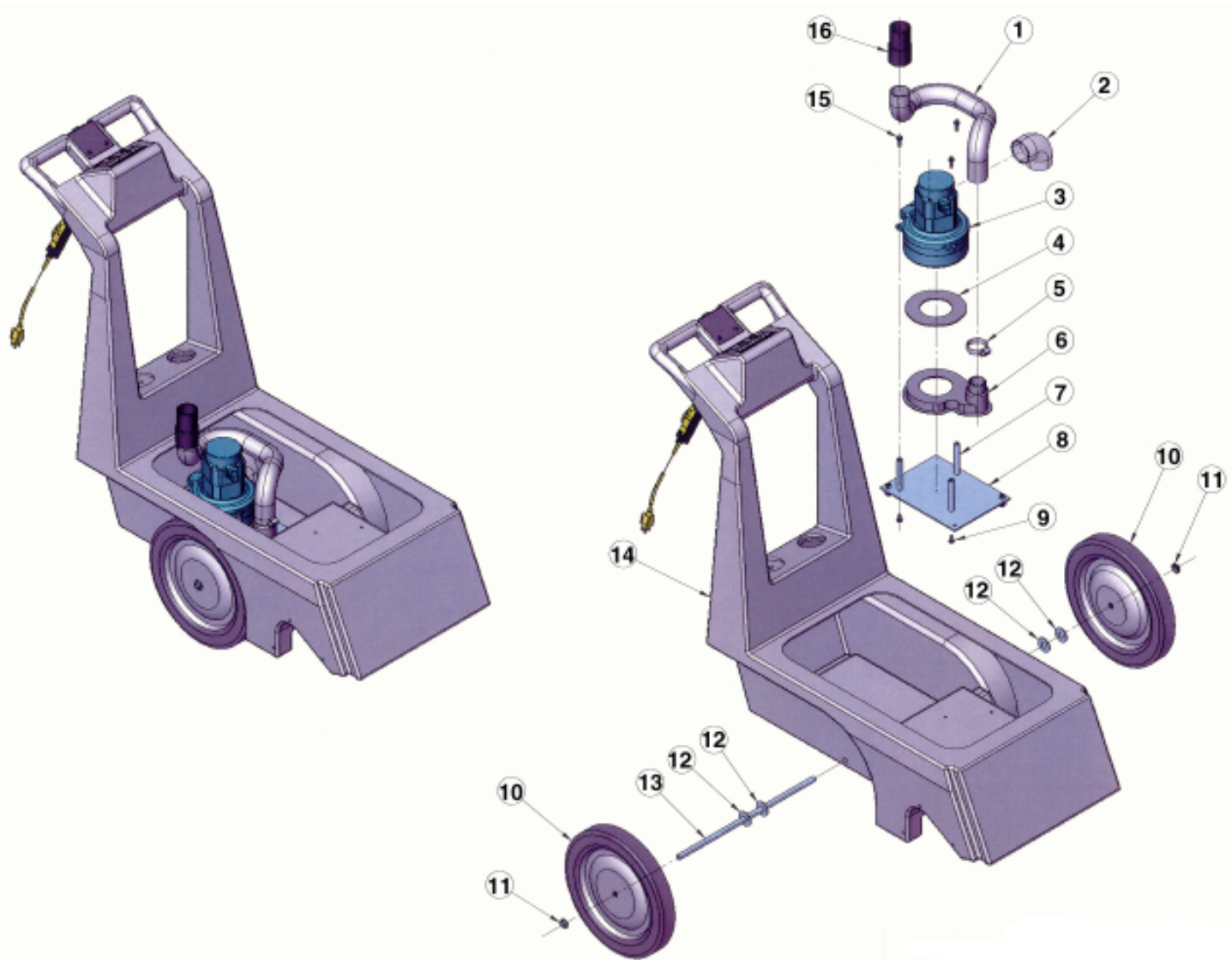
SELF-CONTAINED UPRIGHT CARPET CLEANER

Date: July 22, 2004



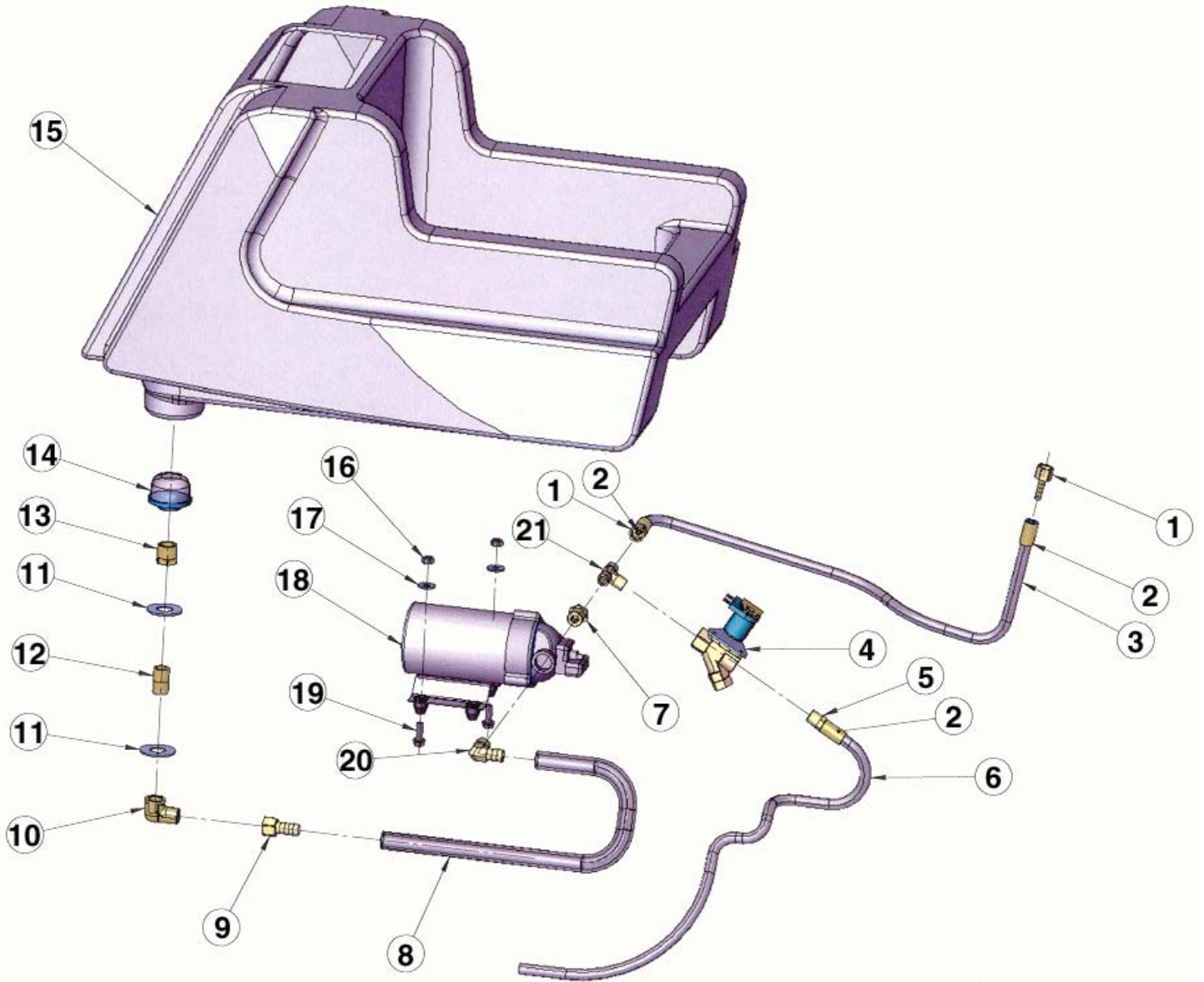
SC6090 [Click here for part prices](#)

1.	E516	3 POSITION ROCKER SWITCH
2.	H636	3-HOLE SWITCH PLATE
3.	B102	QUICK DISCONNECT, 1/4" FEMALE
4.	H212	WASHER, 9/16" ID
5.	H413	WASHER, NYLON
6.	B106	NIPPLE, 1/4" CLOSE
7.	B110	FITTING, 1/4 BARB x 1/4 FM SWIVEL
8.	B116	FERREL (FOR 1/4" HOSE)
9.	PH634 (SC6090)	HOSE, 1/4" KURITEK x 25" LG.
10.	P802	BASE
11.	H296	COOLING FAN WIRE GUARD
12.	E789	POWER CORD, 50' 14/3
13.	G131	CONNECTOR, CORD
14.	E790	PIGTAIL, 48" POWER CORD, 14/3
15.	H220	CORD STRAIN RELIEF FITTING
16.	H221	1/2" STEEL LOCK NUT
17.	H414	SELF-CONTAINED SWITCH PLATE
18.	E581	SELF-CONTAINED MOMENTARY SWITCH
19.	H424	#10-32 x 3/8" LG. BUTTON HD. SOCKET CAP SCREW
20.	B197	SOLENOID VALVE



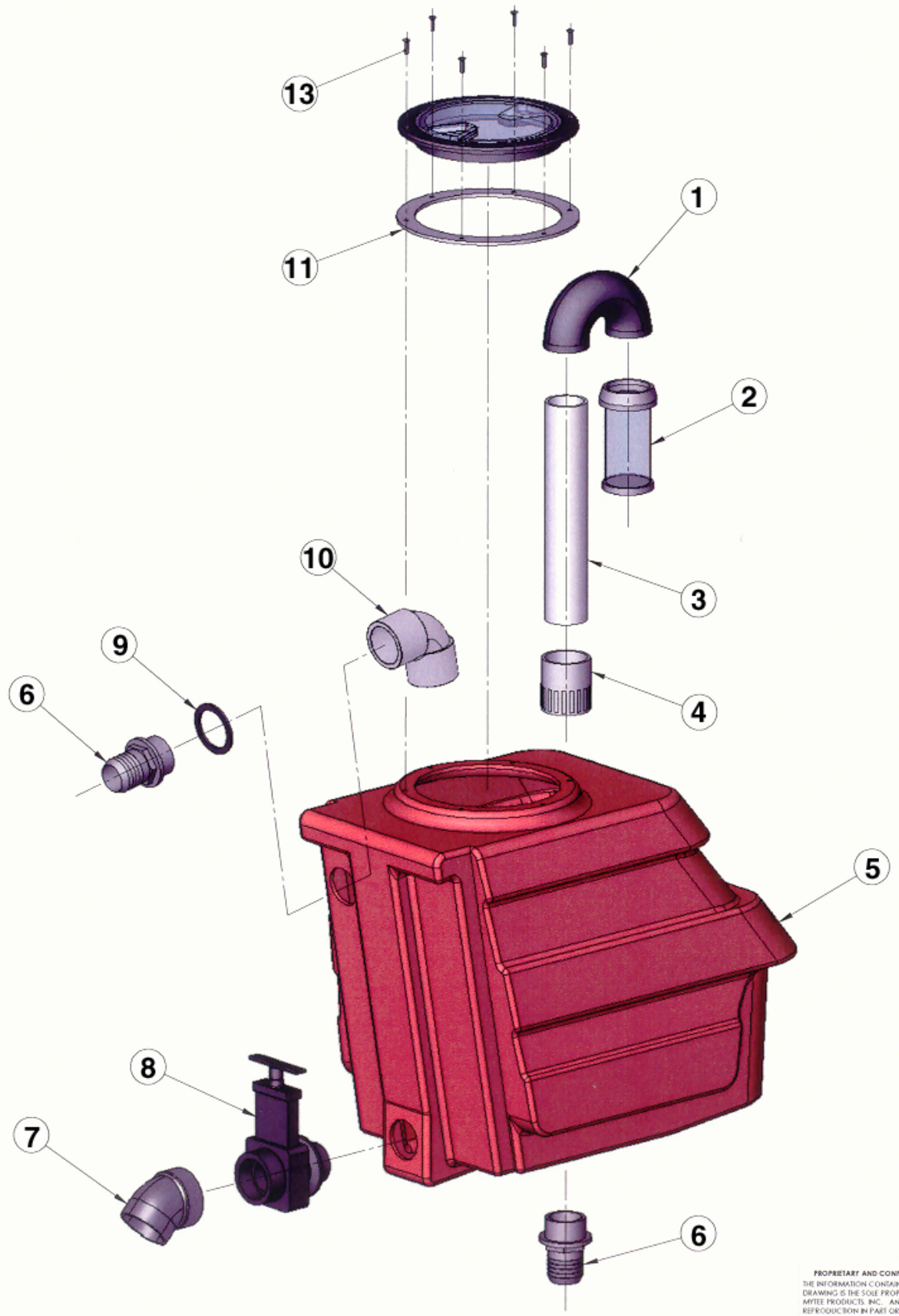
SC6090

1.	PH627-22	HOSE, VACUUM, 1-1/2" x 22" LG.
2.	H298	90 DEG. PVC ELBOW, 1-1/2" S x 1-1/2" S
3.	C310	MOTOR, HI-PERF. 2 STAGE 115V
4.	G004	GASKET, VACUUM MOTOR
5.	H217	HOSE CLAMP
6.	P735	SINGLE MANIFOLD
7.	H500	2-STAGE VACUUM SUPPORT
8.	H330	PLATE, SINGLE MANIFOLD
9.	H201	BOLT, 1/4-20 x 1/2" LG. HEX HEAD
10.	H251	WHEEL, 12"
11.	H219	1/2" AXLE CAP
12.	H254	WASHER, AXLE, 5/8" ID
13.	H385	AXLE, 1/2" x 16-1/2" LG.
14.	P802	BASE
15.	H768	BOLT, 1/4-20 x 3/4" LG. SERRATED FLANGE
16.	H300	HOSE CUFF, 1-1/2"



SC6090

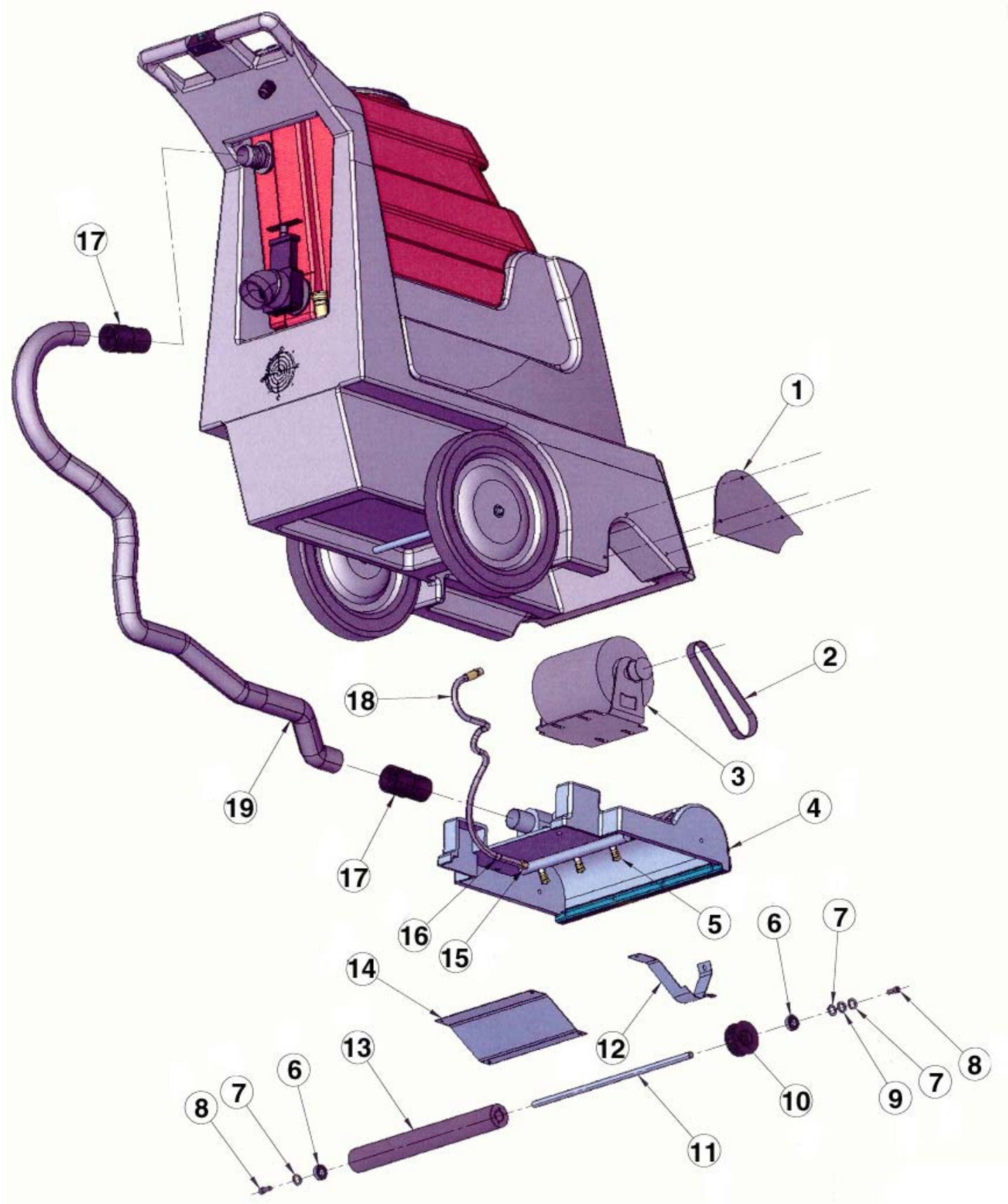
1.	B110	FITTING, 1/4 BARB x 1/4 FM SWIVEL
2.	B116	FERREL (FOR 1/4" HOSE)
3.	PH634 (SC6090)	HOSE, 1/4" KURITEK x 25" LG.
4.	B197	SOLENOID VALVE
5.	B109	FITTING, 1/4" BARB x 1/4" MPT
6.	PH634-17	HOSE, 1/4" KURITEK x 17" LG.
7.	B105	REDUCER, 3/8" M x 1/4" FM
8.	PH615-16	HOSE, 1/2" KURITEK x 16" LG.
9.	B160	FITTING, 1/2 BARB x 3/8 FM SWIVEL
10.	B186	ELBOW, 90 DEG, 3/8" M x FM
11.	H299	WASHER, .688 x 1.50 x .075
12.	B216	NIPPLE, 3/8" CLOSE
13.	B210	BUSHING, 1/2 M X 3/8 FM
14.	B119A	FILTER STRAINER, 1/2"
15.	P803	TANK, SOLUTION
16.	H215	1/4-20 HEX NUT
17.	H210	WASHER, FLAT, 1/4"
18.	C305	PUMP, 100 psi
19.	H768	BOLT, 1/4-20 x 3/4" LG. SERRATED FLANGE
20.	B172	90 DEG 1/2" B x 3/8" MP
21.	B135	1/4" TEE (ALL MALE)



PROPRIETARY AND CONFIDENTIAL
 THE INFORMATION CONTAINED
 HEREIN IS THE SOLE PROPERTY OF
 MYTEE PRODUCTS, INC. ANY
 REPRODUCTION IN PART OR
 WHOLE IS STRICTLY PROHIBITED.

SC6090

1. P755 ELBOW FOR FLOAT ASSEMBLY
2. H235 FLOAT CAGE
3. PH633-10 PIPE, PVC, 1-1/2" x 10" LG.
4. H244 ADAPTER, PVC, 1-1/2"
5. P804 TANK, VACUUM
6. H229 INLET FITTING, PVC, GRAY, 1-1/2"
7. H226 DRAIN SPOUT, 45 DEG.
8. H225 DRAIN VALVE, 1-1/2"
9. G001 GASKET, INLET, 1-1/2"
10. H243 ELBOW, PVC, 90 DEG, 1-1/2" SLIP x 1-1/2" FT
11. G060 VACUUM LID GASKET
12. G056 LID, VACUUM TANK
13. H304 SCREW, #8-32 x 5/8" LG. PHIL. OVAL



SC6090

1.	G139	SIDE BELT GUARD
2.	H676	BELT
3.	C379	MOTOR, 1/4 hp
4.	H673	POWER HEAD ASSEMBLY
5.	B220	JET, QSVV11002, 1/8 (QUICK)
6.	H435	BEARING, DOUBLE SEALED, 6001ZZ
7.	H426	WASHER, NYLON
8.	H429	SCREW, 5/16-24 x 3/4" LG. SOCKET HD. CAP
9.	H427	WASHER, WAVE
10.	H714	PULLEY, BRUSH (SUPPLIED WITH POWER HEAD ASSEMBLY)
11.	H428	SHAFT, BRUSH (SUPPLIED WITH POWER HEAD ASSEMBLY)
12.	H910	GUARD, PULLEY
13.	H430	BRUSH
14.	H911	GUARD, BRUSH PLATE
15.	B131	FITTING, 1/4" BARB x 1/8" FPT
16.	H916	CLIP, RETAINING, PLASTIC
17.	H300	HOSE CUFF, 1-1/2"
18.	PH634-17	HOSE, 1/4" KURITEK x 17" LG.
19.	PH627-48	HOSE, VACUUM, 1-1/2" x 48" LG.

Click here for more details on these optional attachments including parts and order information.



SC6090 -- Optional Items

- | | | |
|----|------|---|
| 1. | SC80 | INCLUDES: WAND, 12" S/S SINGLE BEND (8350) AND 15' VAC/SOL HOSE ASSEMBLY (8500) |
| 2. | SC81 | 8' ACCESSORY HOSE WITH 3" METAL NOZZLE |