

REPAIR PARTS LIST

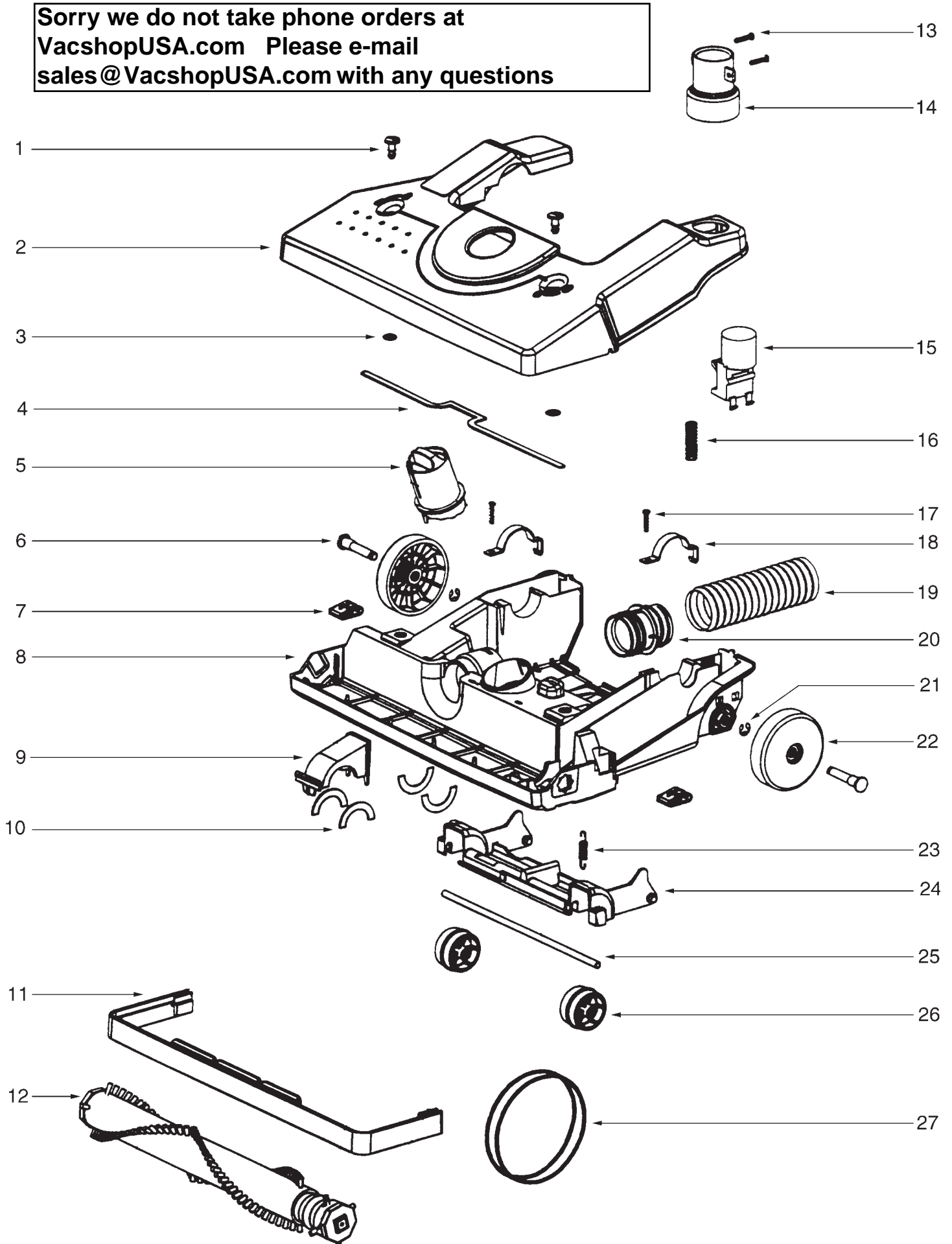
SANITAIRE
COMMERCIAL UPRIGHT

MODEL

SC4570BT

**Sorry we do not take phone orders at
VacshopUSA.com Please e-mail
sales@VacshopUSA.com with any
questions**

Sorry we do not take phone orders at
VacshopUSA.com Please e-mail
sales@VacshopUSA.com with any questions



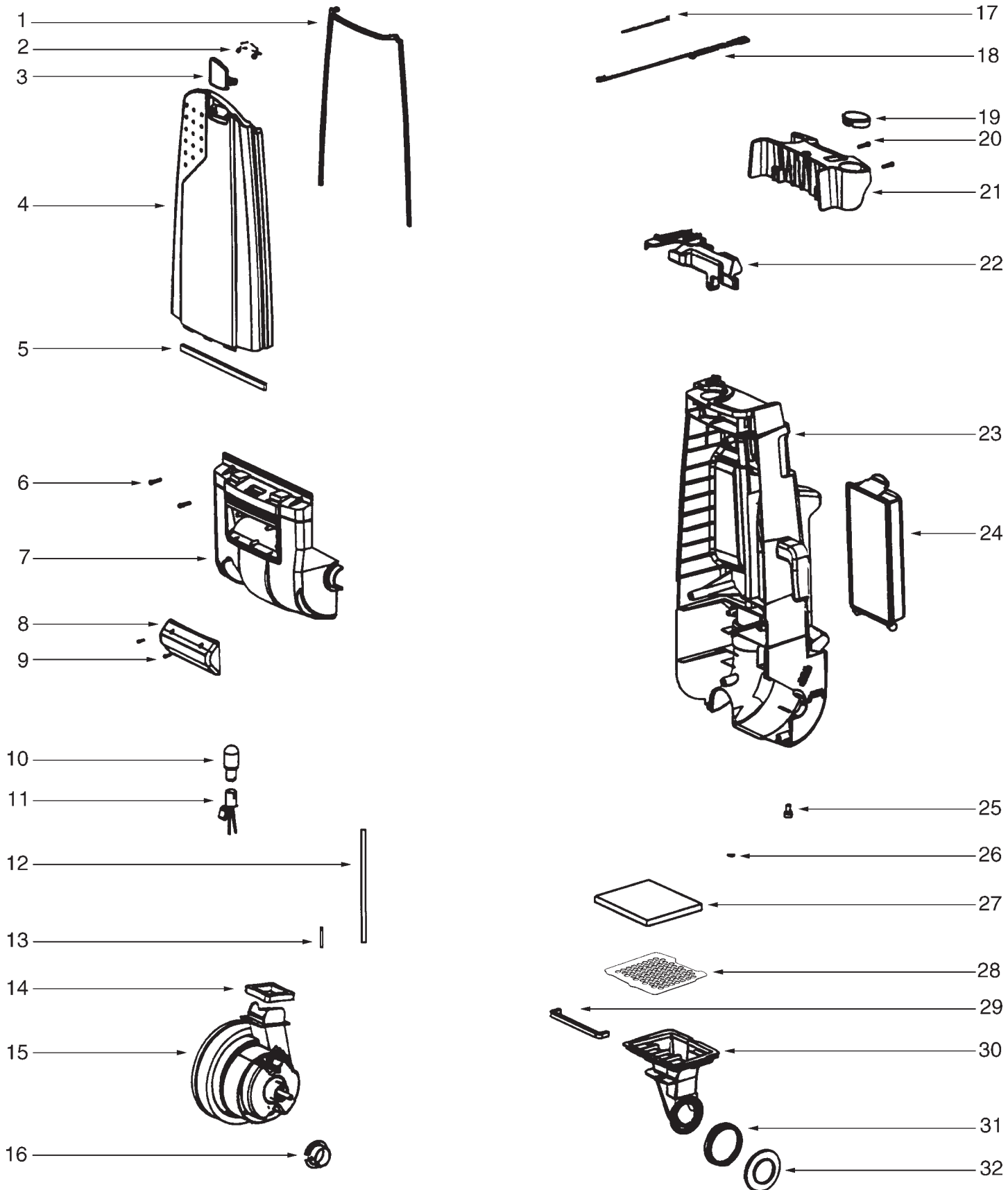
SC4570BT

ITEM#	PART#	DESCRIPTION
1.	60940	FASTENER - pkg of 10
2.	60249-1	HOOD ASSEMBLY
3.	60941	RETAINER - pkg of 10
4.	58506-3	GASKET
5.	27462C-288N	HEIGHT ADJUSTMENT KNOB
6.	38590	REAR AXLE
7.	60939	RECEPTACLE - pkg of 10
8.	60938-1	BASE ASSEMBLY*
9.	54376-2	BELT CAP ASSEMBLY**
10.	57569	GASKET - BELT CAP
11.	15591-288N	FURNITURE GUARD
12.	60909-3	BRUSH ROLL ASSEMBLY
13.	53197-1	SCREW - pkg of 10
14.	27468D-119N	HOSE CUFF
15.	27467A-288N	HANDLE RELEASE
16.	60133	COMPRESSION SPRING - pkg of 5
17.	53197-1	SCREW - pkg of 10
18.	38420-2	CLAMP
19.	38479-4	COMPRESSION HOSE
20.	28243A-316N	BASE ADAPTER
21.	54432	RETAINING RING - pkg of 10
22.	39260A-288N	REAR WHEEL
23.	54943	SPRING - pkg of 10
24.	14993C-119N	WHEEL CARRIAGE
25.	71551	FRONT AXLE
26.	39173A-119N	FRONT WHEEL
27.	61120	BELT - pkg of 2

* INCLUDES ITEMS 5, 6, 11, 20, 21, 22, 23, 24, 25 & 26

** INCLUDES ITEM 10

**Sorry we do not take phone orders at
VacshopUSA.com
Please e-mail sales@VacshopUSA.com with any questions**



**Sorry we do not take phone orders at VacshopUSA.com
 Please e-mail sales@VacshopUSA.com with any questions**

SC4570BT

ITEM#	PART#	DESCRIPTION
1.	58505	BAG COVER GASKET
2.	39268	LATCH SPRING
3.	28256-288N	BAG COVER LATCH
4.	60937-1	BAG COVER ASSEMBLY*
5.	38613	BAG GASKET - BOTTOM
6.	53197-1	SCREW - pkg of 10
7.	60942-1	MOTOR COVER ASSEMBLY**
8.	15407-313N	LENS
9.	60068-2	SCREW - pkg of 10
10.	48815	HEADLIGHT
11.	38611-1	LIGHT SOCKET
12.	59362B	TUBE - 7"
13.	59361A	ADAPTER TUBE
14.	59137	MOTOR EXHAUST GASKET
15.	60943-1	HEPA MOTOR ASSEMBLY***
16.	27552B	GROMMET
17.	46713-5	CABLE TIE
18.	39252-3	THERMOSTAT ASSEMBLY
19.	70133-119N	TOOL CADDY BUSHING
20.	53197-1	SCREW - pkg of 10
21.	15443B-119N	TOOL CADDY
22.	28290-333N	FLANGE RETAINER
23.	60944-2	REAR HOUSING
24.	61510	FILTER ASSEMBLY
25.	60192-1	SPLICE - pkg of 5
26.	60613	NUT - pkg of 10
27.	61333	MOTOR FILTER - pkg of 2
28.	28425	AIR DUCT GRILLE
29.	59297SV	AIR DUCT GASKET
30.	15408B-119N	AIR DUCT
31.	27171A	MOTOR INTAKE GASKET
32.	39023	MOTOR INTAKE FLANGE

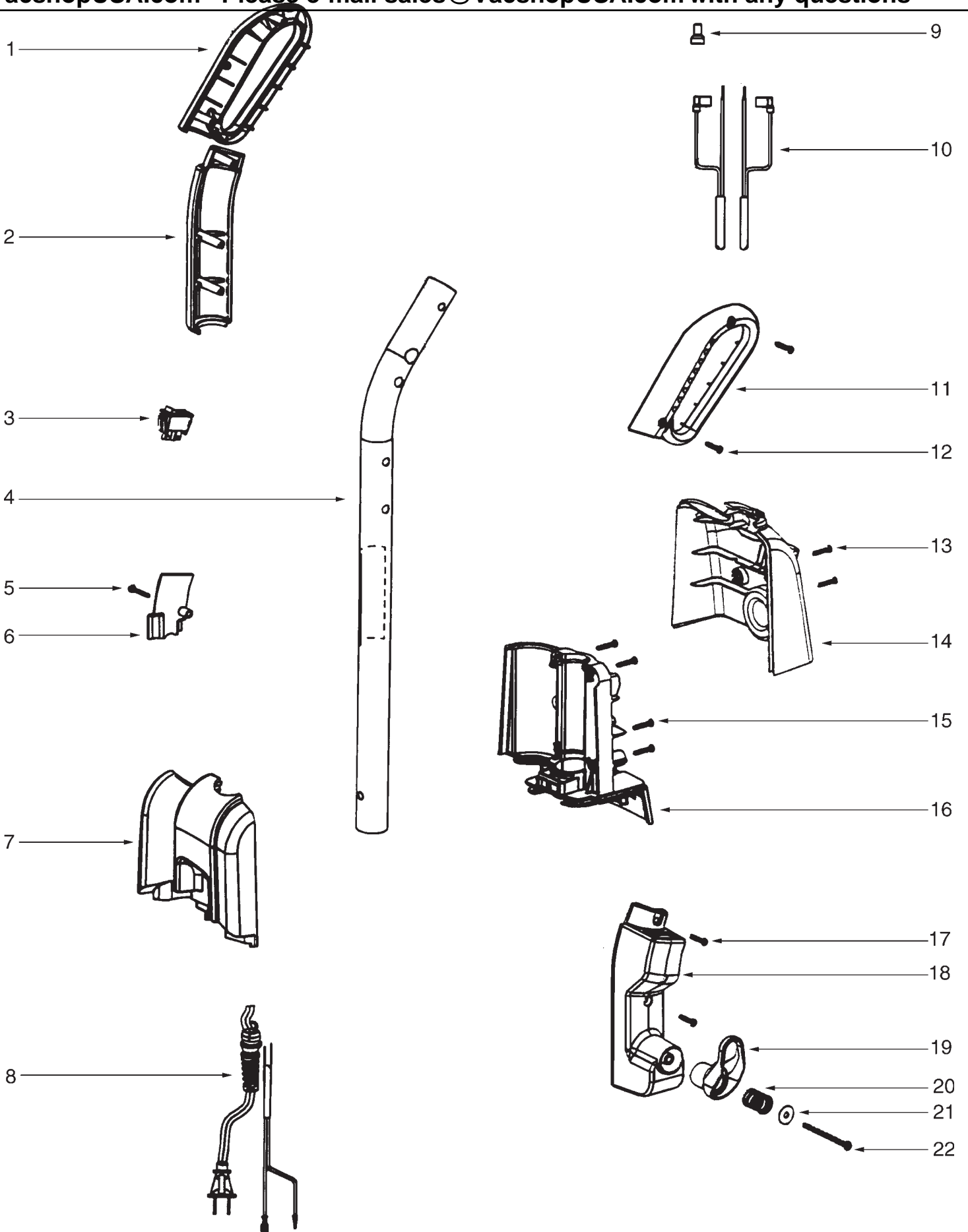
* INCLUDES ITEMS 1, 2, 3 & 5

** INCLUDES ITEMS 8 & 9

*** INCLUDES ITEMS 14 & 16

**Sorry we do not take phone orders at
VacshopUSA.com Please e-mail sales@VacshopUSA.com
with any questions**

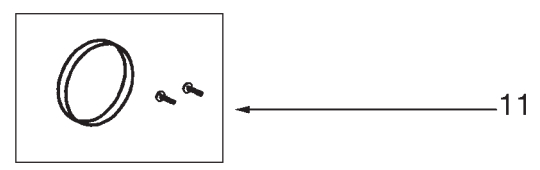
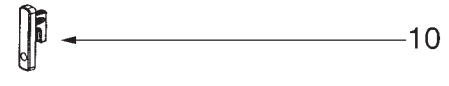
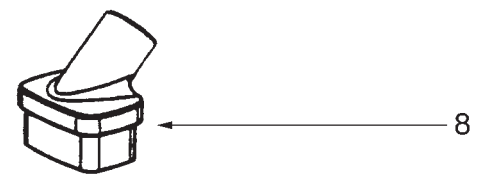
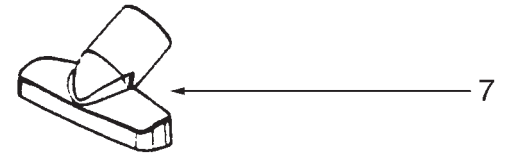
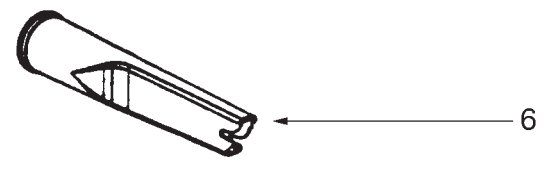
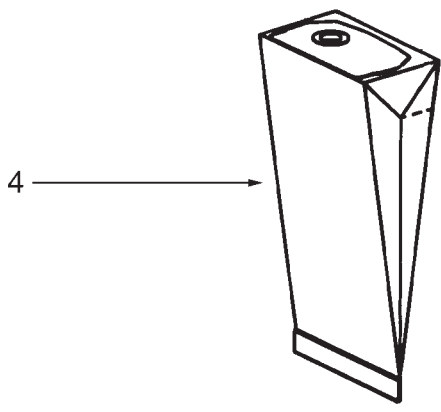
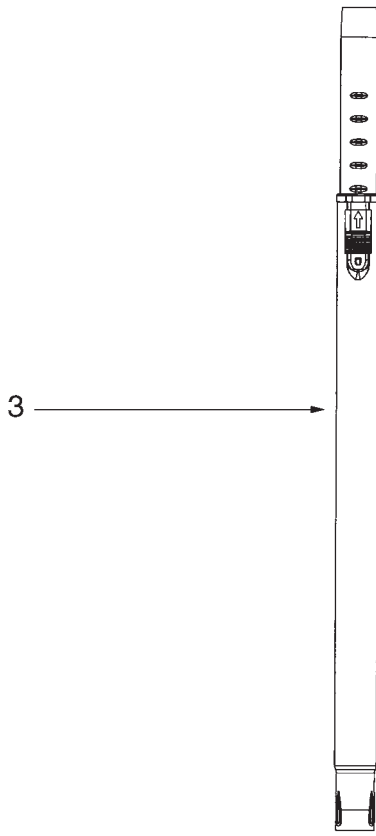
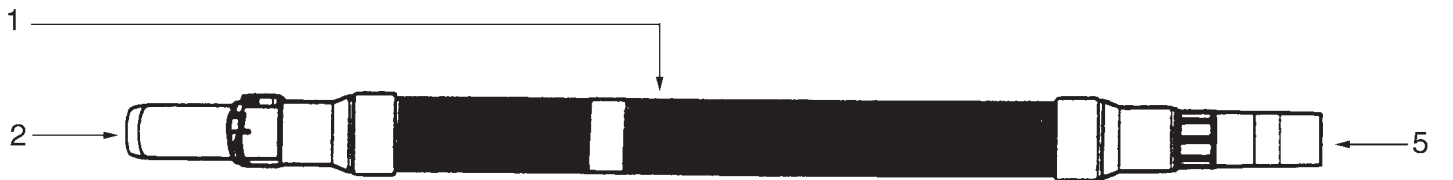
Sorry we do not take phone orders at
VacshopUSA.com Please e-mail sales@VacshopUSA.com with any questions



SC4570BT

ITEM#	PART#	DESCRIPTION
1.	15597-288N	GRIP (RH)
2.	02349-288N	SWITCH HOUSING (RH)
3.	28305	ROCKER SWITCH
4.	15580	HANDLE
5.	60947	SCREW - pkg of 10
6.	59741-316N	WIRING SHIELD
7.	15533-308N	FRONT HANDLE HOUSING
8.	38680-19	SUPPLY CORD ASSEMBLY
9.	60192-1	WIRE SPLICE - pkg of 5
10.	28011-2	UPPER CORD ASSEMBLY
11.	15596-288N	GRIP (LH)
12.	53197-1	SCREW - pkg of 10
13.	53197-1	SCREW - pkg of 10
14.	15581-119N	HANDLE COVER
15.	53197-1	SCREW - pkg of 10
16.	15534A-119N	REAR HANDLE HOUSING
17.	53197-1	SCREW - pkg of 10
18.	02348-288N	SWITCH HOUSING (LH)
19.	28316-288N	CORD RETAINER
20.	60945	SPRING - pkg of 10
21.	60946	WASHER - pkg of 10
22.	53238-18	SCREW - pkg of 10
	15605A	HANDLE ASSEMBLY COMPLETE-includes all above

**Sorry we do not take phone orders at
VacshopUSA.com Please e-mail sales@VacshopUSA.com with any
questions**



SC4570BT

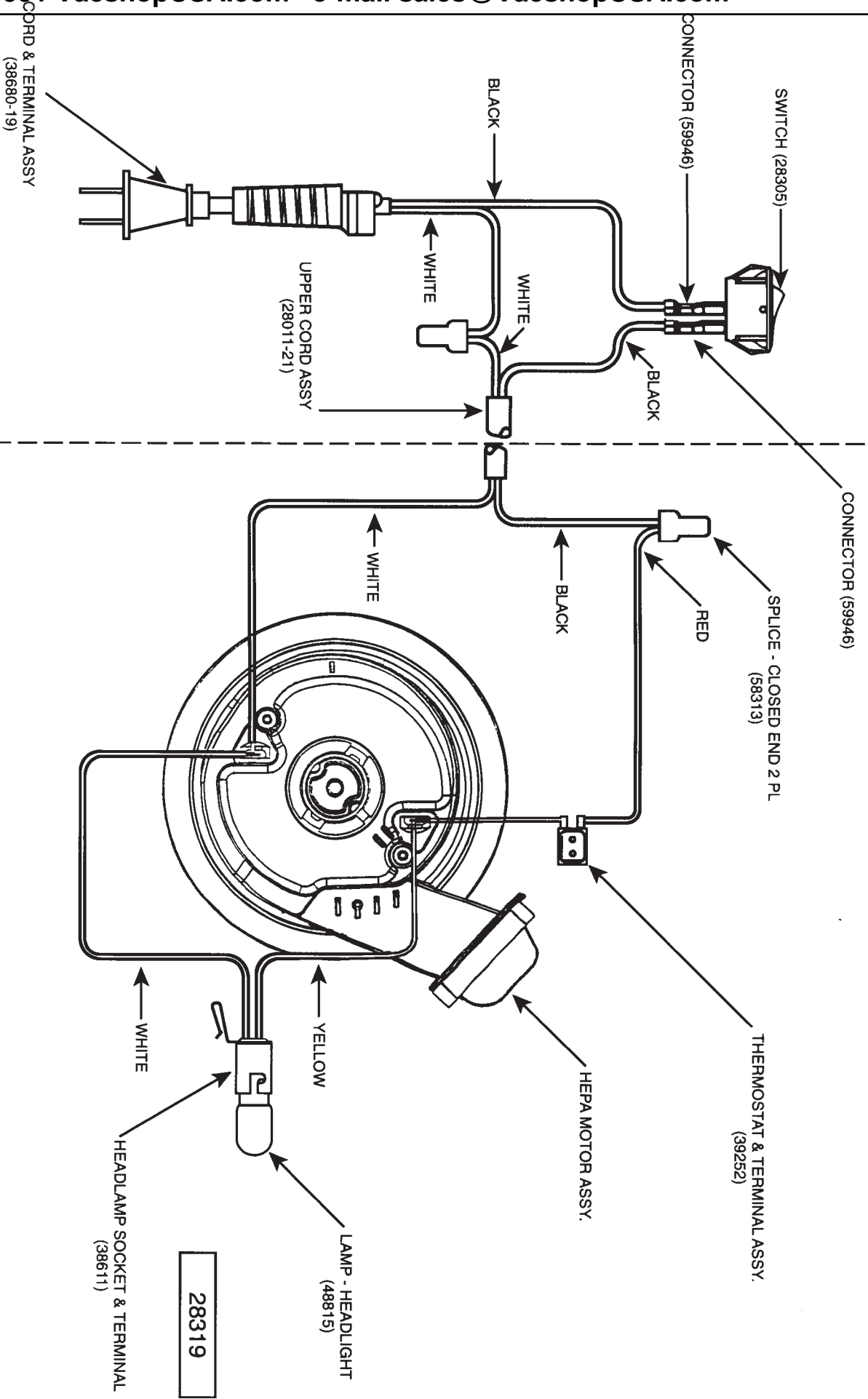
ITEM#	PART#	DESCRIPTION
1.	60920-2	HOSE ASSEMBLY*
2.	28375-119N	HOSE ADAPTER
3.	60424	TELESCOPIC WAND ASSEMBLY
4.	58623A	DISPOSABLE BAG (style AA FILTERAIRE) - pkg of 3
5.	37057A-3	HOSE COUPLING
6.	26708-119N	CREVICE TOOL
7.	38284-3	UPHOLSTERY NOZZLE ASSEMBLY
8.	60290-1	DUSTING BRUSH
9.	39231-2	HOSE STRAP
10.	39152A-333N	HOOK PLATE
11.	70124	HARDWARE PACKAGE
12.	59911A	OWNER'S GUIDE

* INCLUDES ITEMS 2 & 5

800-353-9991 VacshopUSA.com e-mail sales@VacshopUSA.com

SWITCH BOX

MOTOR COMPARTMENT



28319