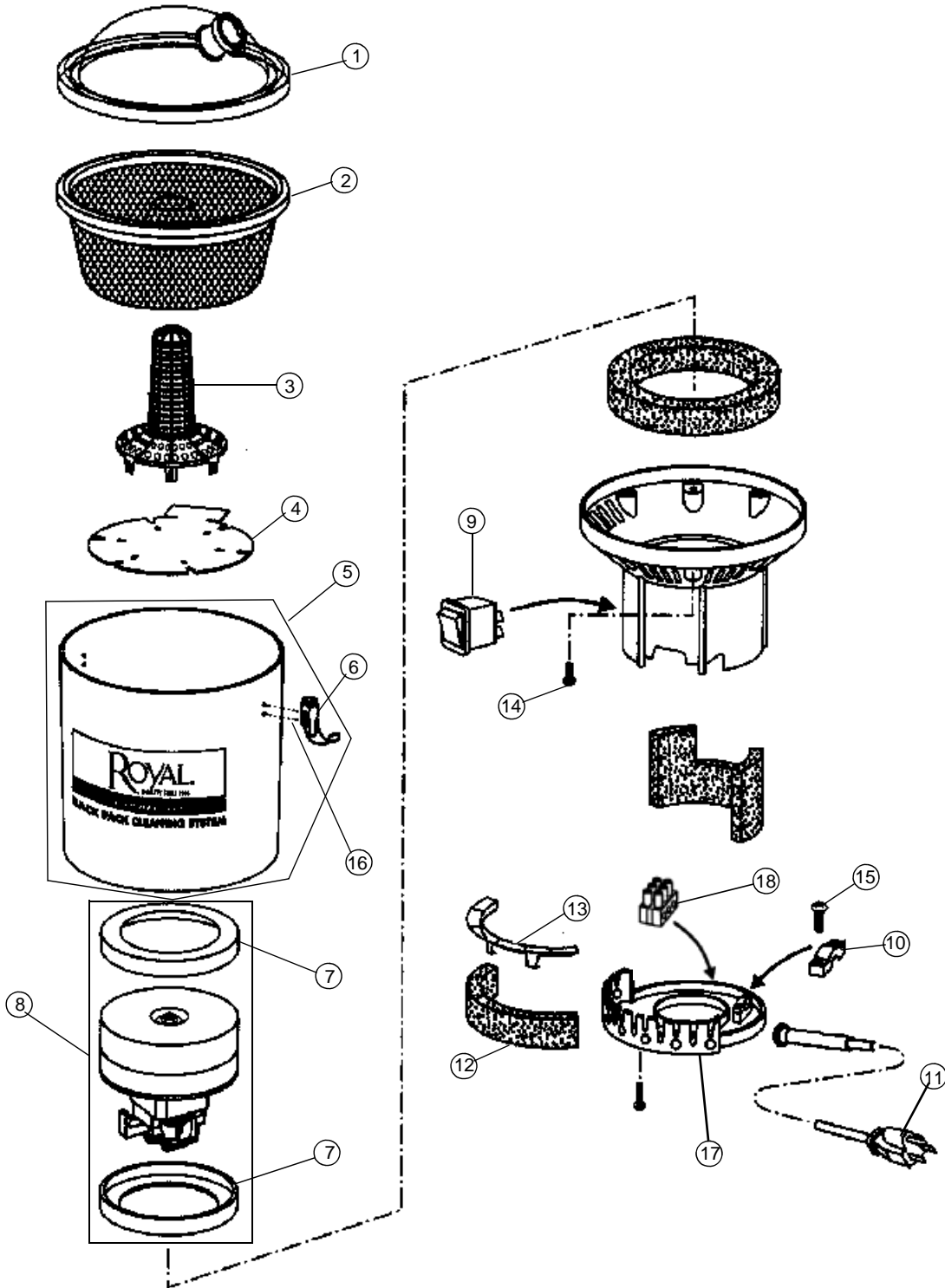


Assembly Schematic

Model No.
RY4000





BACK PACK CLEANING SYSTEM

9

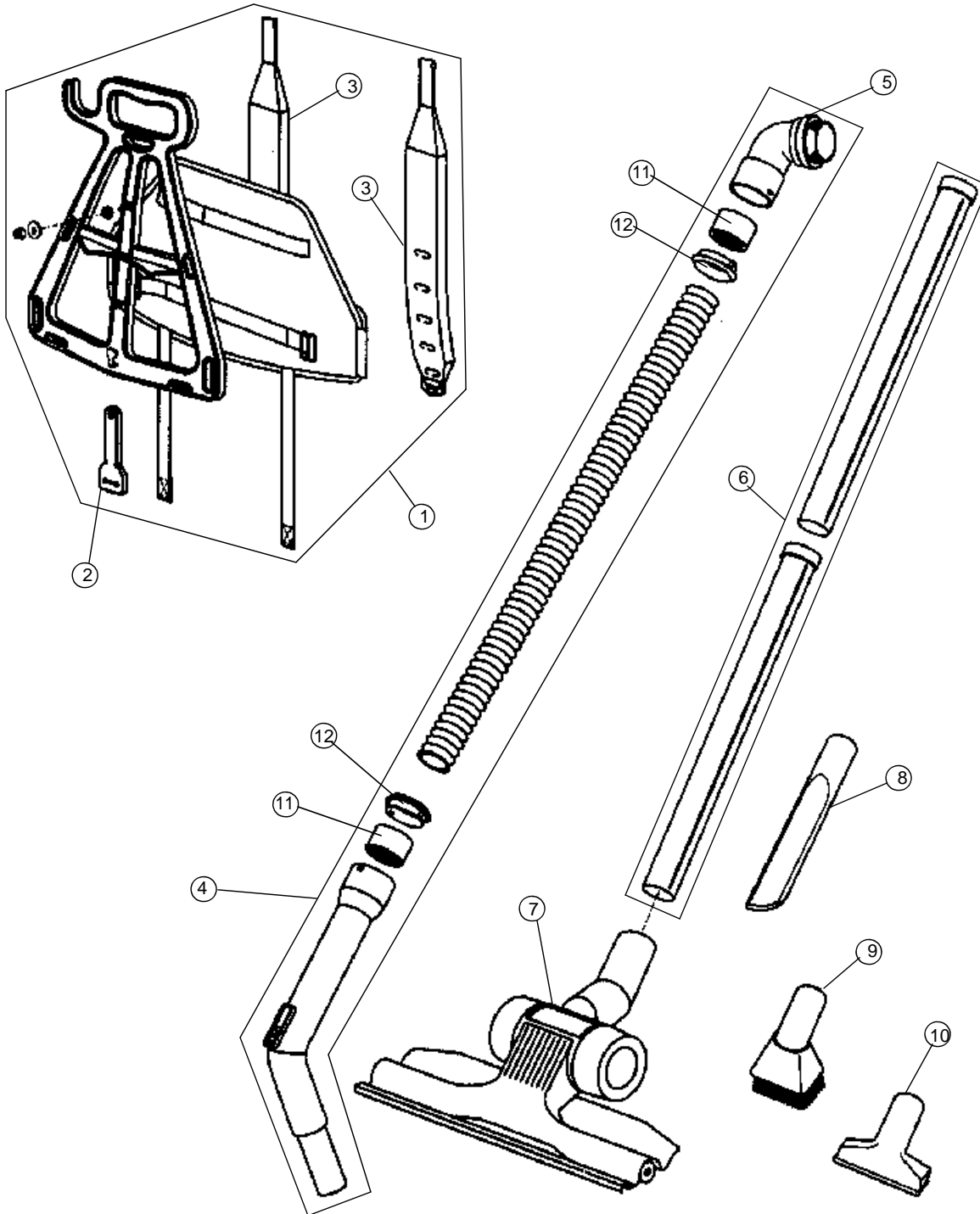
Part Listing / Price List

Model No.
RY4000

Item	Part Number	Models To Fit	Part Description		
1	2-KE0100-Q00	RY4000	TOP DOME LID ASSEMBLY		
2	2-KE0111-000	RY4000	DUST BAG W/RUBBER RING		
3	1-KE0112-600	RY4000	HYPERCONE		
4	2-KE0113-700	RY4000	CANISTER FILTER - 5 PACK		
5	2-KE0200-000	RY4000	MAIN CANISTER BODY COMPLETE		
6	1-KE0205-000	RY4000	TOGGLE LATCH		
7	1-KE0210-000	RY4000	MOTOR GASKET		
8	2-KE0210-000	RY4000	MOTOR ASSEMBLY		
9	1-KE0235-600	RY4000	ROCKER SWITCH		
10	1-KE0260-600	RY4000	CABLE CLAMP		
11	2-KE0270-BG0	RY4000	POWER CORD - 48' 10 AMP		
12	1-KE0290-000	RY4000	EXTERNAL MOTOR FILTER		
13	1-KE0295-600	RY4000	EXTERNAL MOTOR FILTER CAGE		
14	1-KE0245-000	RY4000	SCREW - 5mm		
15	1-KE0255-000	RY4000	SCREW - 3mm		
16	1-KE0206-000	RY4000	RIVET		
17	1-KE0280-600	RY4000	BOTTOM CAP		
18	1-KE0275-000	RY4000	WIRING LOOM - INCLUDES THERMAL		
	RY4200 1-020961-000 2-232260-400 1-871075-000	RY4000	CONVERSION KIT TYPE S BAG - HEPA CLOTH INTERNAL BAG HYPERDOME		

Assembly Schematic

Model No.
RY4000





BACK PACK CLEANING SYSTEM

9

Part Listing / Price List

Model No.

RY4000

Item	Part Number	Models To Fit	Part Description		
1	2-KE0400-600	RY4000	HARNESS ASSEMBLY COMPLETE		
2	1-KE0425-600	RY4000	CORD RESRAINT		
3	1-KE0430-600	RY4000	SHOULDER STRAP		
4	2-KE0600-000	RY4000	HOSE ASSEMBLY COMPLETE		
5	1-KE0610-600	RY4000	HOSE CONNECTOR SEAL		
6	2-KE0635-600	RY4000	WAND ASSEMBLY		
7	2-KE0640-600	RY4000	FLOOR TOOL		
8	1-KE0645-600	RY4000	CREVICE TOOL		
9	2-KE0650-600	RY4000	DUSTING BRUSH		
10	2-KE0655-600	RY4000	UPHOLSTREY TOOL		
11	1-KE0615-600	RY4000	HOSE CUFF		
12	1-KE0620-600	RY4000	HOSE CLIP		
	2-KE8100-000	RY4000	TURBO TOOL		