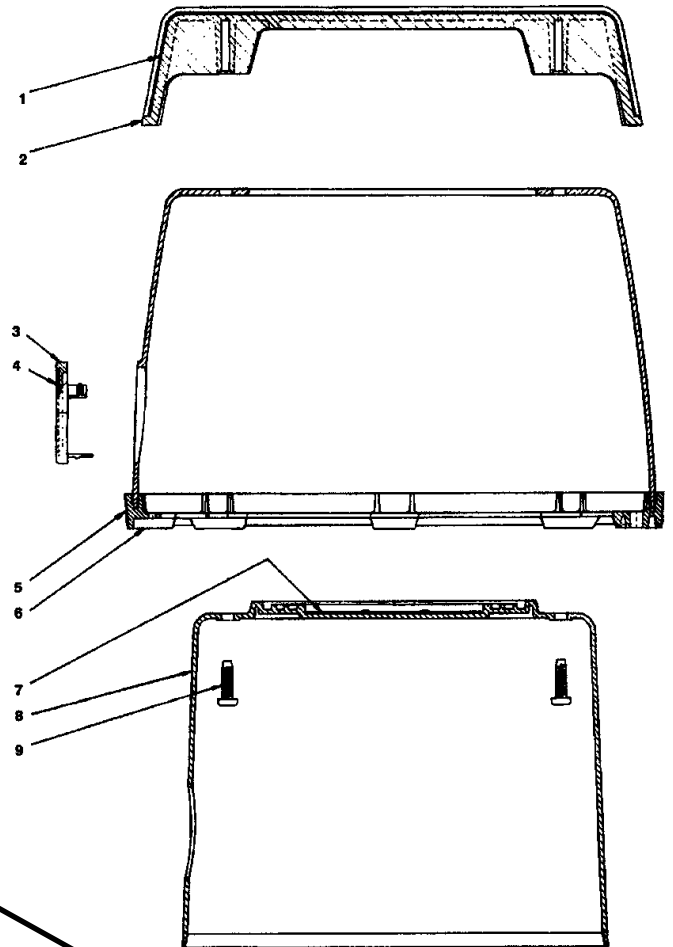


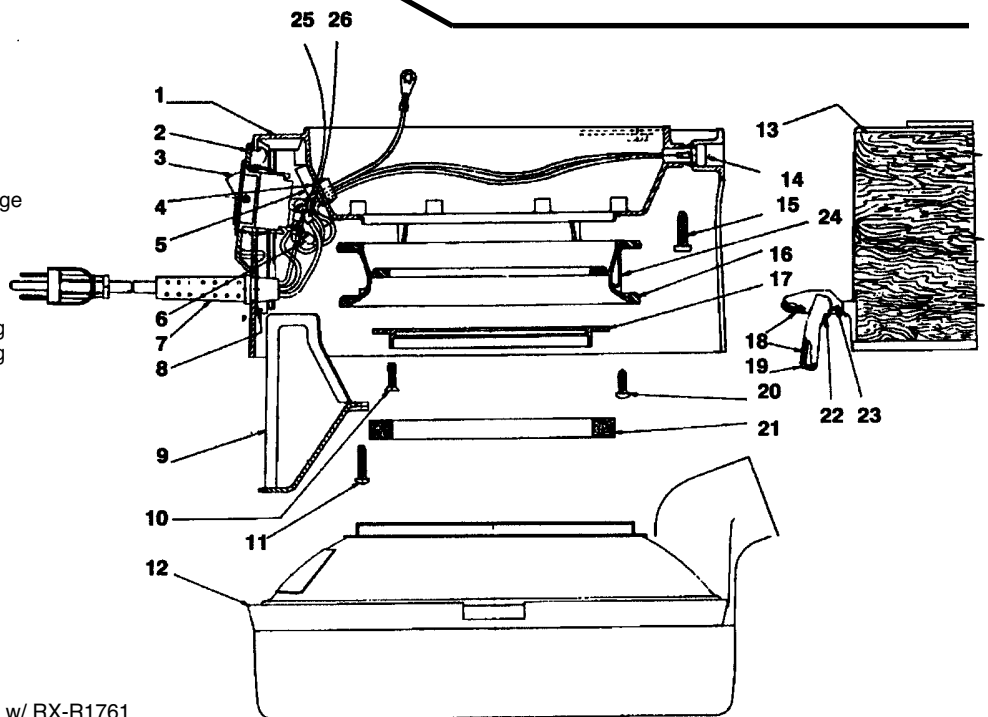
CAP AND CAP COVER ASSEMBLY

- RX-R1530 Cap & Baffle Assembly
- 1 RX-R1567 Decal, handle
- 2 RX-R1574 Handle Assy
- 3 RX-R1652 Closure Cover Assy
- 4 RX-R1569 Closure Cover Decal
- 5 RX-R1568 Cap Ring Decal
- 6 RX-R1822 Cap & Cap Ring Assy
- 7 RX-R1570 Rainbow - Baffle Decal
- 8 RX-R1573 Baffle Assy
- 9 RX-H489 Screw, cap handle
- RX-H519 Rivet, closure cord to cap ring
 (blower cord to top housing)



MAIN HOUSING AND WATERPAN ASSEMBLY

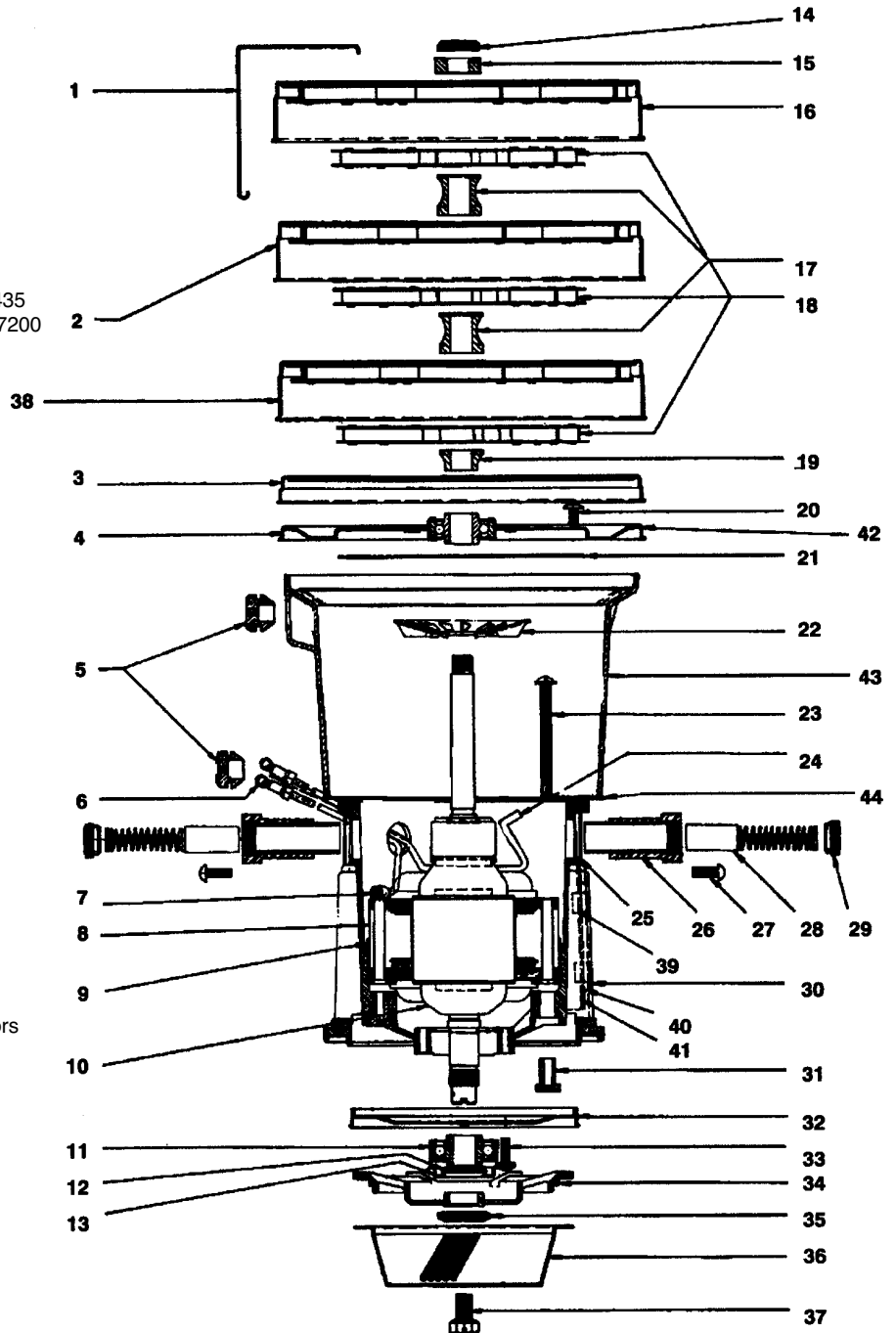
- 2 RX-R1644 Switch Bracket
- 3 RX-R1645 Switch, snap-in
- 4 RX-R1158 Open/Closed Bushing
- 5 RX-R1734 Insulation Boot, switch
- 6 RX-R1642 Terminal
- 7 RX-R1753 Cord, 3 wire, w/ plug
- 8 RX-R1528 Strain Relief Support
- 9 RX-R1526 Switch Cover
- 10 RX-H378 Screw, motor gasket flange
- 11 RX-H492 Screw, switch cover
- 12 RX-R1556 Water Pan Assy, 2 quart
- 12 RX-R1743 Water Pan Assy, 4 quart
- 13 RX-R1572 Applique, main housing
- 14 RX-R1582 Receptacle Assy, 2 prong
- 14 RX-R1761 Receptacle Assy, 3 prong
- 15 RX-H489 Screw, cap to housing
- 16 RX-R599 Motor Support Ring
- 17 RX-R747 Motor Gasket Flange
- 18 RX-R1563 Applique, latch
- 19 RX-R1565 Latch Assy, w/ applique
- 20 RX-H491 Screw, clamp ring
- 21 RX-R912 Gasket, motor
- 22 RX-R1585 Spring, latch
- 23 RX-R1566 Pin, latch
- 24 RX-R598 Outer Clamp Ring
- 25 RX-H511 Screw, switch terminal
- 26 RX-R1642 Terminal, cord
- RX-R1225 Eyelet Terminal
- RX-H519 Pop Rivet, D3A only, use w/ RX-R1761
- RX-R1518 Dolly Assy, complete, D3C



MOTOR ASSEMBLY

Model: R-1767, beginning serial number 4388126,
6/30/80, replaced by R-2104

- 1 RX-R1423 Stage Housing Clip
- 2 RX-R1419 Stage Assembly
- 3 RX-R1418 Air Guide
- 4 RX-R1411 Bearing Plate Assy
- 5 RX-R665 Grommet
- 6 RX-R1853 Terminal, insulated
- 7 RX-H487 Cable Clamp
- 8 RX-R1435 Field Assy, revised, up to
S.N. 4545550
- 8 RX-R2424 Field Assy
- 9 RX-R1454 Field Insulator
- 10* RX-R1426 Armature Assy, use w/ RX-R1435
- 10 RX-R1909 Armature Assy, up to S.N. 4607200
- 11 RX-R1180 Lower Bearing
- 12 RX-R147 Slinger Ring
- 13 RX-R146 Bearing Shield
- 14 RX-H306 Shaft Nut
- 15 RX-R1486 Spacer
- 16 RX-R1421 Stage Assy, upper
- 17 RX-R1417 Fan Spacer, middle
- 18 RX-R675 Fan Assembly
- 19 RX-R1416 Fan Spacer, lower
- 20 RX-H475 Screw, bearing plate
- 21 RX-R1415 Gasket, bearing plate
- 22 RX-R1469 Cooling Fan, armature
- 23 RX-H535 Screw, field
- 24 RX-R1578 Terminal, brush (flag)
- 24 RX-R2423 Terminal, brush (eyelet)
- 25 RX-R1455 Gasket, brush holder
- 26 RX-R2490 Brush & Holder Kit
- 27 RX-H309 Screw, brush holder
- 28 RX-R1552 Carbon Brush & Spring
- 29 RX-R663 Screw Cap
- 30 RX-R1448 Motor Housing
- 31 RX-R1449 Insulator, Fld Scr Insert
- 32 RX-R1424 Air Deflector
- 33 RX-H308 Screw, lower bearing
- 34 RX-R1425 Spider
- 35 RX-H13 Shaft Nut
- 36 RX-R312 Separator, this is the new style
w/ large hole. Older separators
will not fit newer motors.
- 37 RX-R3450 Screw, separator
- 38 RX-R1752 Stage Assy, lower, w/ ground
- 39 RX-R1473 Retainer, cover plate
- 40 RX-R1471 Cover Plate
- 41 RX-R1470 Gasket, cover plate
- 42 RX-R1794 Gasket
- 43 RX-R1407 Shell, motor housing
- 44 RX-R1795 Gasket, lower shell
RX-R1425 Spider



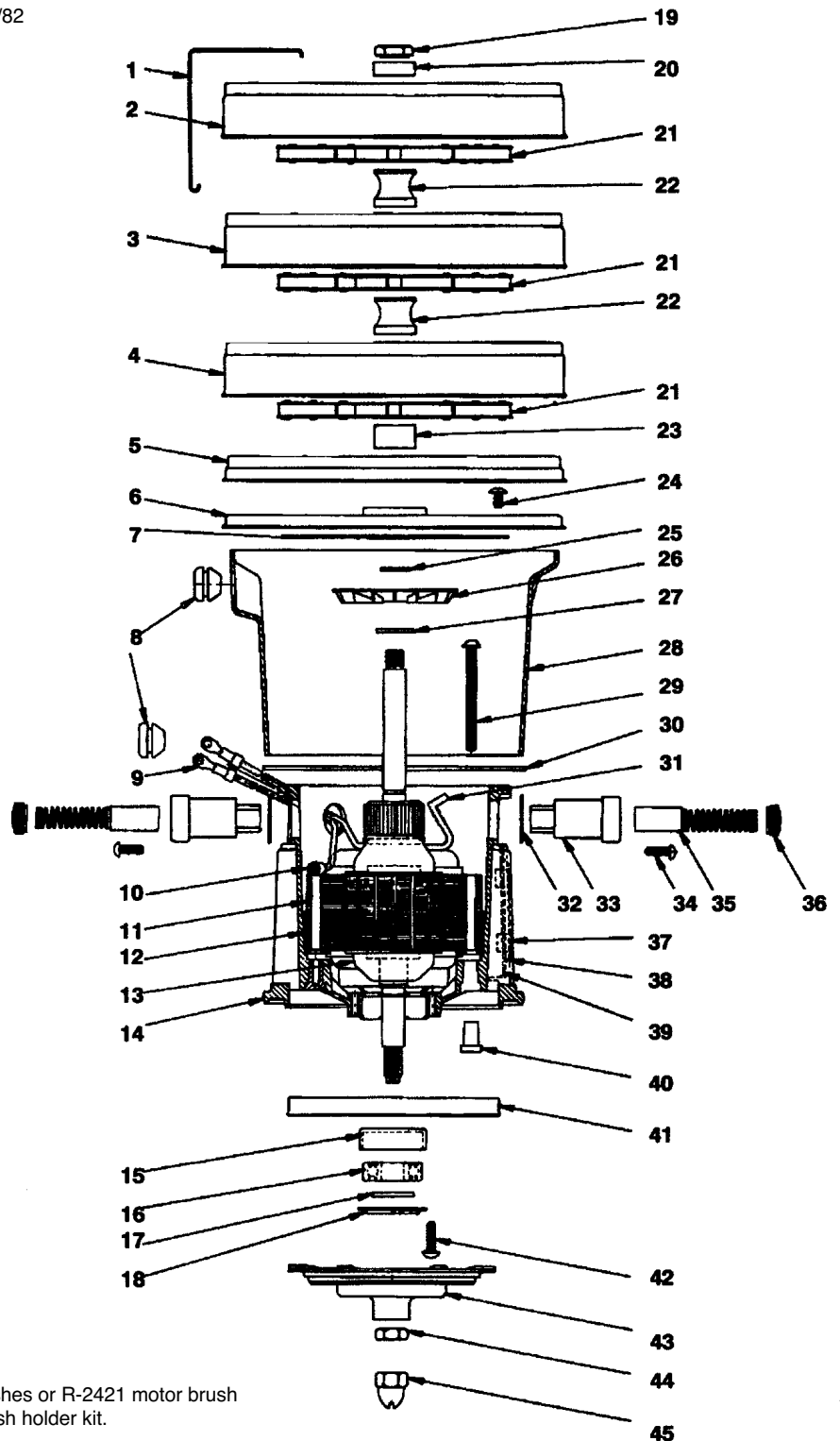
Note: when replacing old style R-1910 field with RX-R2424,
you must include RX-R2490 brush and holder kit.

The armature and bearing construction were changed in order to provide a high-quality motor bearing. The following parts cannot be interchanged with previous constructions: armature assy, bearing plate assy, ball bearing, bearing boot, spider, bearing shield, slinger ring, lock nut (spider) acorn nut, motor fan, fan spacer, lower middle and upper fan spacers and fan assy.

CURRENT MOTOR ASSEMBLY

Model: R-2104, beginning serial number 4607000, 6/5/82

- RX-R2104 Motor, complete
- 1 RX-R1423 Stage Housing Clip
- 2 RX-R1421 Stage Assy, upper
- 3 RX-R1419 Stage Assy, middle
- 4 RX-R1752 Stage Assy, lower, w/ ground
- 5 RX-R1418 Air Guide
- 6 RX-R1991 Bearing Plate Assy
- 7 RX-R1415 Gasket, bearing plate
- 8 RX-R665 Grommet
- 9 RX-R1642 Terminal, insulated, revised
- 9 RX-R1853 Terminal, after S.N. 4838444 & S.N. 4826642 - 4830159
- 10 RX-H487 Cable Clamp
- 11* ... RX-R2424 Field Assy
- 12 RX-R1454 Insulator, field
- 13 RX-R1974 Armature Assy
- 14 RX-R1448 Motor Housing
- 15 RX-R1987 Bearing Boot
- 16 RX-R1981 Ball Bearing
- 17 RX-R1979 Slinger Ring
- 18 RX-R1980 Bearing Shield
- 19 RX-H306 Shaft Nut
- 20 RX-R1984 Fan Spacer, upper
- 21 RX-R1978 Fan Assy
- 22 RX-R1983 Fan Spacer, middle
- 23 RX-R1982 Fan Spacer, lower
- 24 RX-H475 Screw, bearing plate
- 25 RX-H523 Retaining Ring
- 26 RX-R1975 Cooling Fan, armature
- 27 RX-R2107 Fan Spacer
- 28 RX-R1407 Shell Motor Housing
- 29 RX-H474 Screw, motor field
- 30 RX-R1795 Gasket, lower shell
- 31 RX-R2423 Terminal, brush
- 32 RX-R1455 Gasket, brush holder
- 33 RX-R2490 Brush Holder Kit
- 33 RX-R2421 Carbon Brush, after S.N. 4838444 & S.N. 4826642 - 4830159
- 34 RX-R2420 Brush Holder, after S.N. 4838444 & S.N. 4826642 - 4830159
- RX-R2423 Field Terminal
- 35 RX-H309 Screw, brush holder
- 36 RX-R663 Screw Cap, prior to 9/84
- 37 RX-R1473 Retainer, cover plate
- 38 RX-R1471 Cover Plate
- 39 RX-R1470 Gasket, cover plate
- 40 RX-R1449 Insulator, Fld Scr insert
- 41 RX-R1424 Air Deflector
- 42 RX-H308 Screw, lower bearing
- 43 RX-R1976 Spider
- 44 RX-H526 Lock Nut Spider
- 45 RX-H524 Acorn Nut
- RX-R312 Separator



Note: If machine being serviced has old R-1552 carbon brushes or R-2421 motor brush and R2420 brush holder, you must purchase RX-R2490 brush holder kit.

The armature and bearing construction were changed in order to provide a high-quality motor bearing. The following parts cannot be interchanged with previous constructions: armature assy, bearing plate assy, ball bearing, bearing boot, spider, bearing shield, slinger ring, lock nut (spider) acorn nut, motor fan, fan spacer, lower middle and upper fan spacers and fan assy.

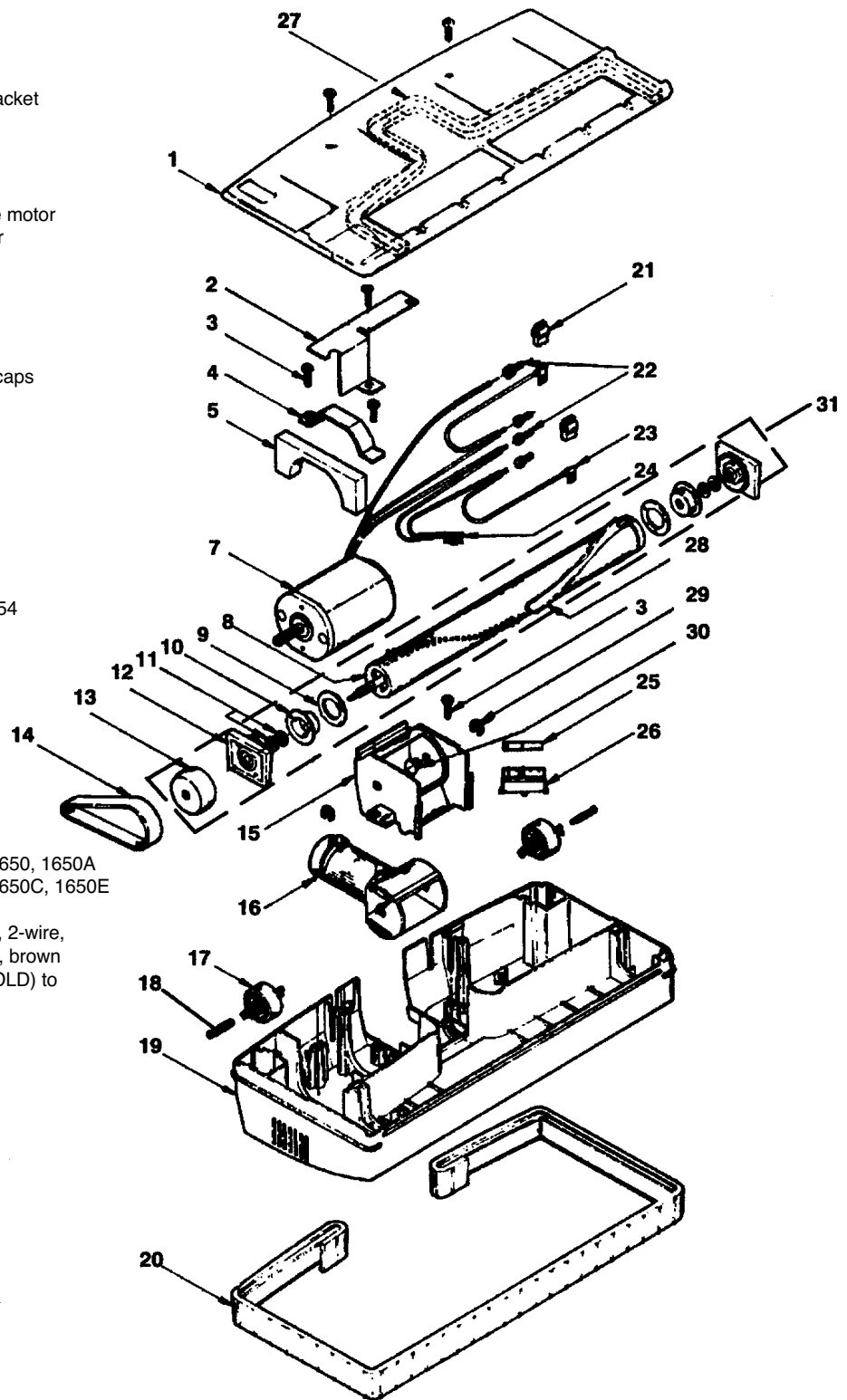
POWER NOZZLE ASSEMBLY

Models: R-1650 /A/C/E

- 1 RX-R2004 Bottom Plate Assy
- 2 RX-R1997 Insulator
- 3 RX-H515 Screw
- 3 RX-H552 Screw, for use w/o motor bracket
- 4 RX-R1716 Motor Bracket
- 5 RX-R1813 Air Barrier
- 6 RX-R2069 Felt Pad
- 7 RX-R1871 Motor
 RX-R4662 Carbon Brush, power nozzle motor
 RX-R4663 Bearing, power nozzle motor
 RX-R3550 Sleeve Assy
- 8 RX-R1690 Brush Roll Only, no ends
- 9 RX-R1692 Felt Seal
- 10 RX-R1691 Keeper
- 11 RX-R1698 Thrust Washer
- 12 RX-R1744 Bearing Assy, includes end caps
 RX-R2443 End Caps
- 13 RX-R1702 Pulley
- 14 RX-R1699 Drive Belt
- 15 RX-R1957 Pivot Housing
- 16 RX-R2081 Pivot Arm Assy
- 17 RX-R1703 Wheel
- 18 RX-R1704 Wheel Pin
- 19 NLA Main Housing
- 20 RX-R2795 Bumper
- 21 NLA Insulation Pod, use RX-R1754
- 22 RX-R1775 Closed End Splice
- 23 RX-R1754 Lead Assy, w/ pod
- 24 RX-R1818 Indicator Light Assy
- 25 RX-R1780 Insulator, circuit breaker
- 26 RX-R1747 Circuit Breaker
- 27 RX-R2003 Gasket, bottom plate
- 28 RX-R1695 Beater Bar
- 29 RX-H527 E-Ring
- 30 RX-R1996 Clevis Pin
- 31 RX-R1866 Brush Roll Assy, complete
 RX-R2228 Pivot Arm & Housing Kit, R1650, 1650A
 RX-R3301 Pivot Arm & Housing Kit, R1650C, 1650E
 RX-H514 Ground Screw, R1650A
 RX-R2496 Power Nozzle Cord, 1 piece, 2-wire,
 machine to power nozzle, brown
 RX-R1877 Conversion Cord, 2 prong (OLD) to
 3 prong (NEW)

Rexair Parts for old Eureka style Power Nozzle
 that are not shown in Eureka Catalog.

- RX-R2786 Hose Assy
- RX-R1836 Hose Cord, 3-wire
- RX-R1868 Wand Cord, 3-wire

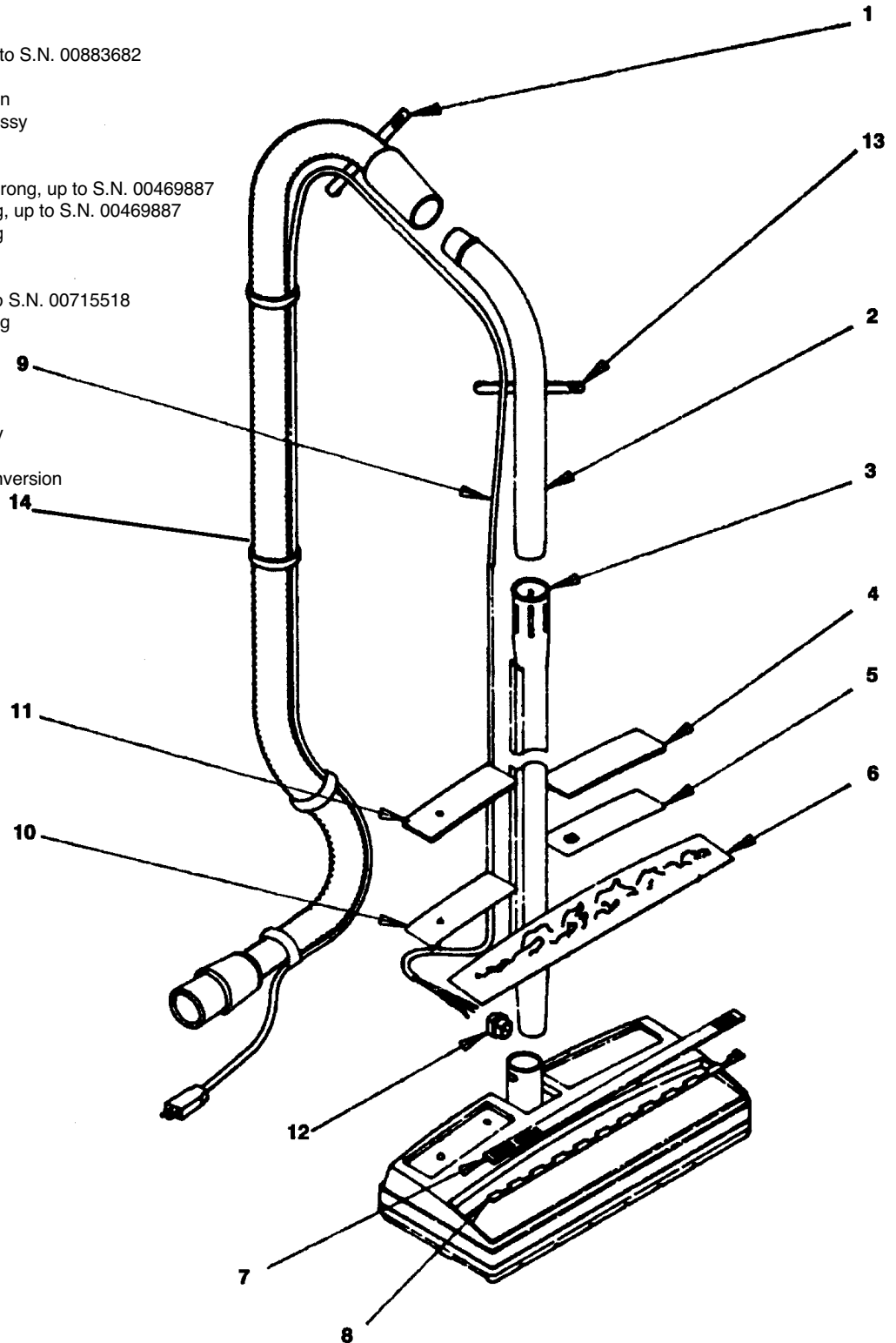


POWER NOZZLE ASSEMBLY

Models: R-1650 /A/C/E

- 1 RX-R1045 Hose Cord Strap
- 2 RX-R1999 Curved Wand Assy
- 3 RX-R5066 Straight Wand Assy
- 4 RX-R3051 Lens, right side
- 4 RX-R1683 Lens, right side, up to S.N. 00883682
- 5 RX-R3052 Applique, right side
- 6 RX-R1994 Applique, wood grain
- 7 RX-R1993 Slide Valve Guide Assy
- 8 RX-R1990 Slide Valve
- 9 RX-R2496 Cord, power nozzle
- 9 RX-R1717 Extension Cord, 2 prong, up to S.N. 00469887
- 9 RX-R1714 Wand Cord, 2 prong, up to S.N. 00469887
- 9 RX-R1836 Wand Cord, 3 prong
- 10 RX-R1729 Applique, left side
- 11 RX-R2685 Lens, left side
- 11 RX-R1684 Lens, left side, up to S.N. 00715518
- 12 RX-R4053 Strain Relief Bushing
- 13 RX-R1045 Strap, wand cord
- 14 RX-R1777 Hose Assy, w/ coupling & tip

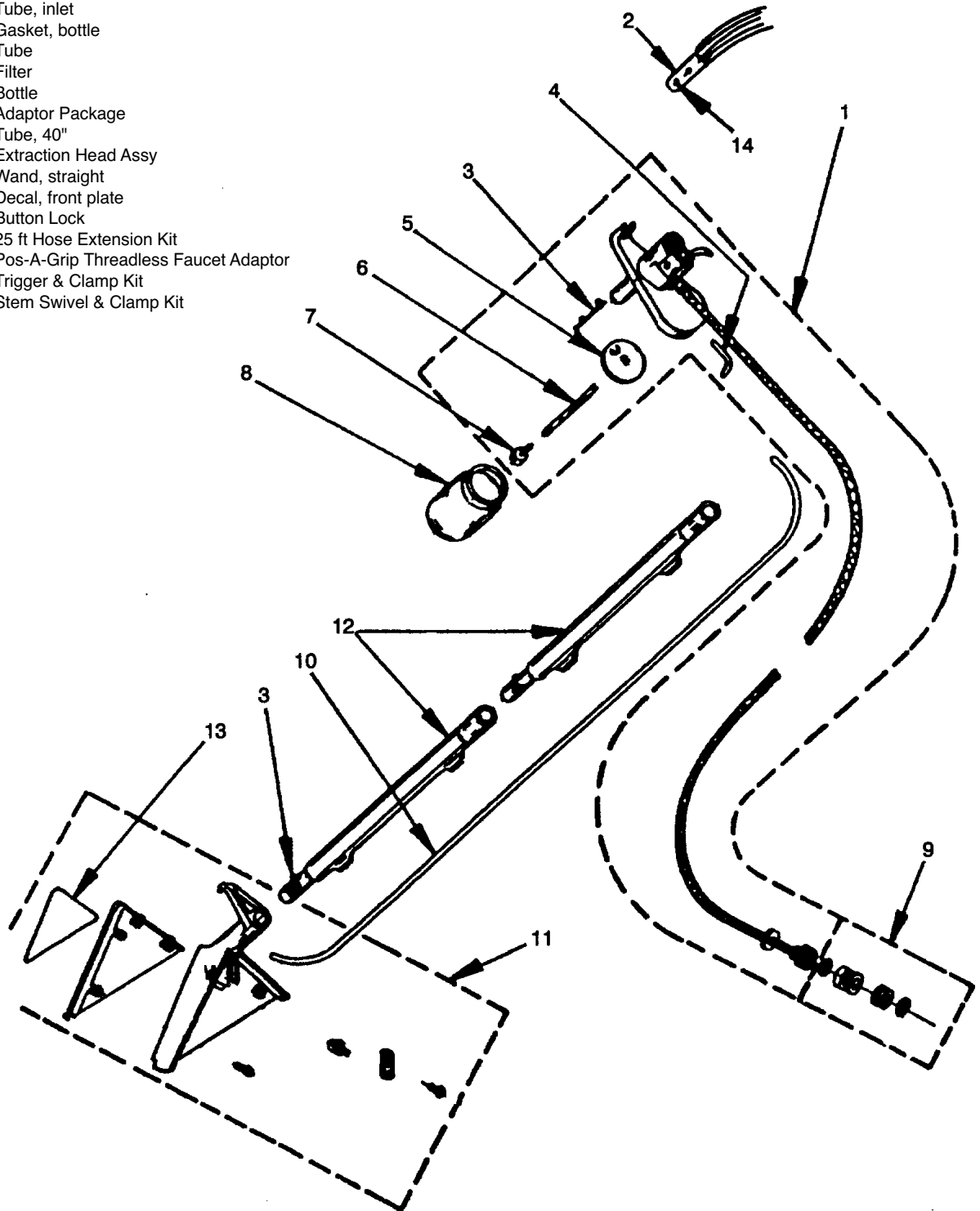
- RX-R2784 Hose Coupling Assy
- RX-R579 Molded Tip Only
- RX-R1877 Extension Cord Conversion
- RX-R3520 Cord Guide Replacement Kit



AQUAMATE EXTRACTION UNIT

Original Series R-2031

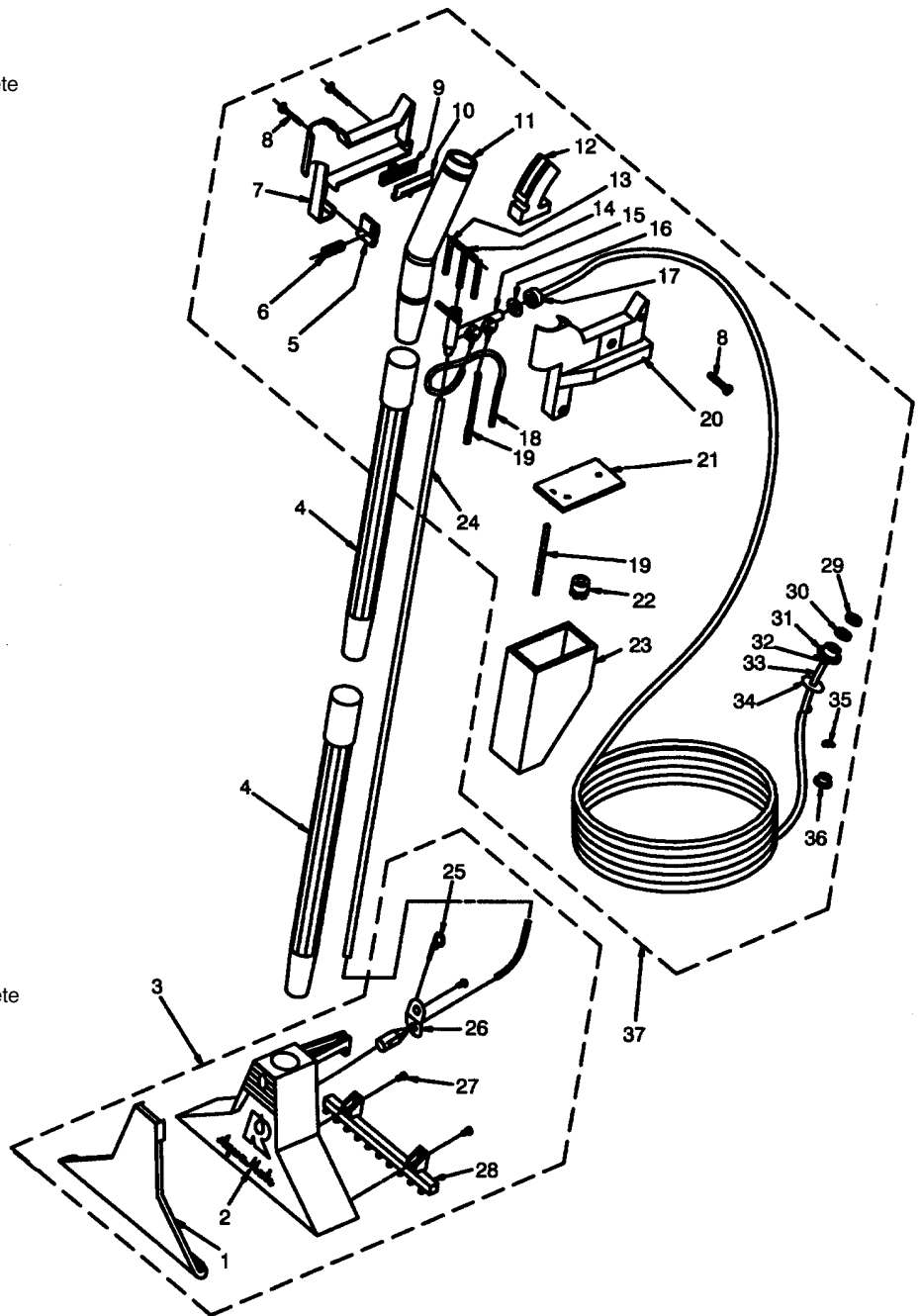
- 1 RX-R2245 Trigger Valve & 50 ft Hose Assy
- 2 RX-R2137 Curved Wand Assy
- 3 NLA Button Lock
- 4 NLA Tube, inlet
- 5 RX-R2037 Gasket, bottle
- 6 NLA Tube
- 7 RX-R2036 Filter
- 8 NLA Bottle
- 9 RX-R2054 Adaptor Package
- 10 RX-R2026 Tube, 40"
- 11 NLA Extraction Head Assy
- 12 RX-R2142 Wand, straight
- 13 NLA Decal, front plate
- 14 NLA Button Lock
- RX-R2091 25 ft Hose Extension Kit
- RX-R2090 Pos-A-Grip Threadless Faucet Adaptor
- RX-R2230 Trigger & Clamp Kit
- RX-R2233 Stem Swivel & Clamp Kit



"AQUAMATE" WATER EXTRACTION UNIT

Oxford Brown

- 1 RX-R2269 Front Plate
- 2 RX-R3581 AquaMate Head Decal
- 3 RX-R2573 Extraction Head Assy, complete
- 4 RX-R2142 Straight Wand Assy
- 5 RX-R2322 Bottle Latch
- 6 RX-R2321 Latch Spring
- 7 RX-R2470 Right Housing Assy
- 8 RX-H537 Screw
- 9 RX-R2326 Slide Adjustment
- 10 RX-R2318 Pinch Arm
- 11 RX-R2352 Bent Arm Assy
- 12 RX-R2340 Trigger
- 13 RX-R2428 Spring, trigger
- 14 RX-R2571 Valve Control Rod Assy
- 15 RX-R2400 Fluid Control Assy
- 16 RX-R2401 "O" Ring
- 17 RX-R2402 Hose Connection
- 18 RX-R2602 Detergent Inlet Tube
- 19 RX-R2483 Overflow & Bottle Fill Tube
- 20 RX-R2471 Left Housing Assy
- 21 RX-R2317 Foam Gasket
- 22 RX-R2601 Flow Control
- 23 RX-R2452 Solution Bottle Assy
- 24 RX-R2026 40" Tube
- 25 RX-R2264 Nozzle Clean-Out Tool
- 26 RX-R2260 Spray Nozzle Plate Kit
 RX-R2626 Brass Spray Nozzle
 RX-R2627 Support Plate
- 27 RX-H491 Screw
- 28 RX-R2262 Brush Assy
- 29 RX-R2080 Long Adaptor Thick Washer
- 30 RX-R2044 Screen Washer
- 31 RX-R2466 Stern Nut
- 32 RX-R2040 Tubing Clamp
- 33 RX-R2576 50 ft Hose Assy
- 34 RX-R2065 Anti-Drip Washer
- 35 RX-R2079 Washer, short adaptor
- 36 RX-R2045 Adaptor, short
- 37 RX-R2313 Control Network Assy, complete
 RX-R2469 Adaptor Package (included)
 RX-R2042 Swivel Stem, white piece



RX-R5426
Stainless Steel Wands, 2 used

D3 ATTACHMENTS

- | | | |
|---------------------------------------|---------------------------------------|--------------------------------------|
| RX-R933 Straight Wand | RX-H528 Screw, for floor tool | RX-R1847 Body, upholstery tool |
| RX-R2807 Curved Wand | RX-R981 Crevice Tool | RX-R841 Separator Brush |
| RX-R2792 Suction Control Sleeve | RX-R1730 Attachment Caddy | RX-R1777 Hose Assembly, 9-yarn |
| RX-R934 Bottom Wand | RX-R588 Dusting Brush Assy | RX-R1518 Dolly Assy, complete |
| RX-R2007 Floor Tool Assy | RX-R192 Bristles, dusting brush | RX-R3479 Dolly, w/o casters |
| RX-R188 Bristles, floor tool | RX-R589 Back, dusting brush | RX-R1897 Casters, for dolly |
| RX-R587 Guard, floor tool | RX-R1508 Upholstery Tool Assy | RX-R3251 Applique, dolly |
| RX-R2005 Lower Body, floor tool | RX-R900 Brush, upholstery tool | RX-R1819 Attachment Kit |
| RX-R2006 Upper Body, floor tool | | |