

Ref. No.	Part No.	Description
1	48663160	Upper Handle Assem.
2	37911018	+ Handle Cap - MW
	37911079	Handle Cap - ABE - U5075-930, U5077-930
	39458057	Handle Grip - U5071-930, U5077-930
3	46388027	Attach. Cord - AG - 35 Ft.
4	37911038	Plug
5	38355008	Spring
6	36151006	Latch
7	41426086	Tool Holder - ABE U5071-930, U5075-930, U5077-930
	41426019	Tool Holder - Stretch Hose - U5071-930
8	21447220	* Screw- Self Tapping
9	43414145	Dusting Brush - Friction
10	38634078	Ext. Tube - AG
11	38617024	Crevice Tool - AG
12	38614029	Furniture Nozzle - AG
13	43434232	Hose Assem. - Molded
43434033		Hose Assem. - Stretch - U5071-930
14	38656035	Hose Connector - AG
15	36425081	Bag Hsg. Bracket
16	36116014	Hose Connector Collar - Stretch Hose
17	32288011	Hose Adapter - AG
18	40201085	Nut & Bolt
19	39464005	Lower Handle - ABE
20	38456036	Switch Control Rod - ABB
21	37254068	Bag Hsg.
22	37257038	Bag Hsg. Door - AG
	37257089	Bag Hsg. Door- ABM - U5071-930
	37257093	Bag Hsg. Door- AAY - U5041-980, U5075-930
	37257188	+ Bag Hsg. Door - MB - U5077-930
23	31523012	Wheel Shaft
24	38522011	Rear Wheel - AG
25	38567008	Cam Actuator - KE
26	38421070	Indicator Knob - ABE
27	38458022	Handle Release Lever - AG
28	38784016	Seal
29	36131057	Motor Retainer Cap - RH
30	21447217	* Screw-Self Tapping
31	38351013	Spring
32	4010001A	Throw - Away Bag - 3 Pak
33	37257016	Door Assem. - ABC (Incl. It. 34,35)
	37257022	Door Assem. ABM (incl. It. 34,35)
	37257027	Door Assem - AAY (incl. It 34,35) U5075-930, U5041-980
	37257143	Door Assem. - AG - U5077-930 (Incl. It. 34, 35)
34	38785011	+ Seal
	38785013	Seal

Ref. No.	Part No.	Description
35	21362006	* Speed Nut
36	42252319	Hood Assem - ABC (Incl. It. 33,37)
	42252330	Hood Assem - ABM (incl. It 33,37) U5035-930
	42252340	Hood Assem- ABC (incl.[It 33,37) U5043-930
	42252380	Hood Assem-ABM (Incl. It 33,37) U5071-930
	42252031	Hood Assem -AAY (incl. It 33,37) U5075-930, U5041-980
	42252399	Hood Assem. - MB - U5077-930 (Incl. It. 33, 37)
	42252A78	Hood Assem. - ABM - U5077-930 (Incl. It. 33, 37)
37	39383098	Dirt Finder Lens - KC
38	36131090	+ Motor Retainer Cap LH
	36131090	Motor Retainer - ABE - LH
39	43576142	Motor (P-202)
40	27313101	Dirt Finder Lamp
41	38528027	Belt
42	13261AY	* Rug Nozzle Rib Shoe
43	42243001	Main Body Assem. (Incl. It. 23,24,27,42)
44	38563011	Nozzle Height Adj. Cam.
45	38452089	+ Lever (Use wheel assem. 43248059)
46	32563012	+ Wheel Shaft - AY (Use 43248059)
47	43248059	Wheel - AG
48	36131056	* Wheel Retainer- BZ
49	48414081	Agitator (P-204)
50	37245108	Bottom Plate - AG
51	43248059	Front Wheel Assem. (Incl. It. 45,46,47)
52	34572002	Cam Actuator Spring - FW
53	37959100	Bag Hsg. Cap Assem.
	37959105	Bag Hsg. Cap U5071-930, U5075-93 U5041-980, U5077-930

ITEMS NOT ILLUSTRATED

3944201P Cord Wrap

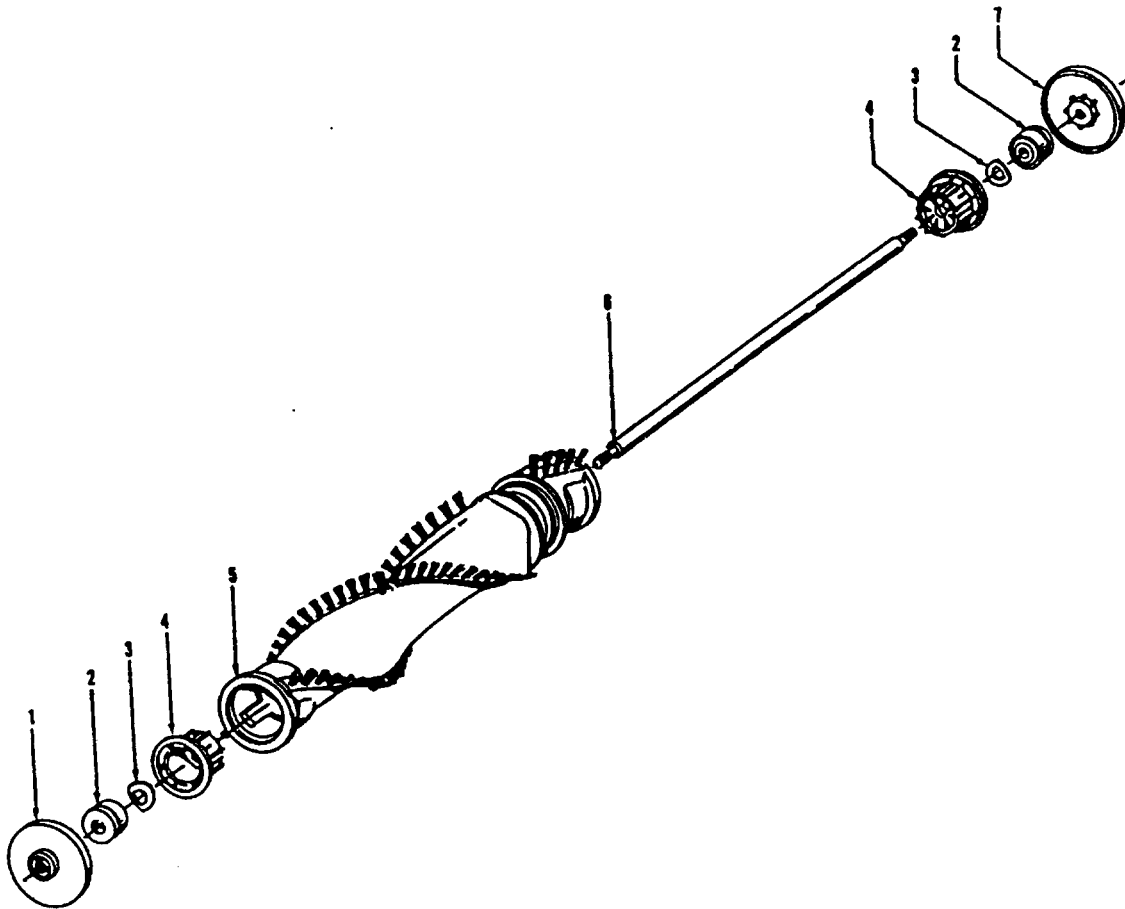
PACKAGING MATERIAL

56511395 Owner Manual
 56511A23 Owner Manual U5035-930, U5043-930, U5041-980 U5071-930, U5075-930, U5077-930
 58185184 Carton - Common
 58186034 + Carton - U5041-980
 58334003 + Carton Support
 58347020 Carton
 58347021 Carton - U5071-930 w/ Stretch Hose
 58385020 + Hard Bag Support

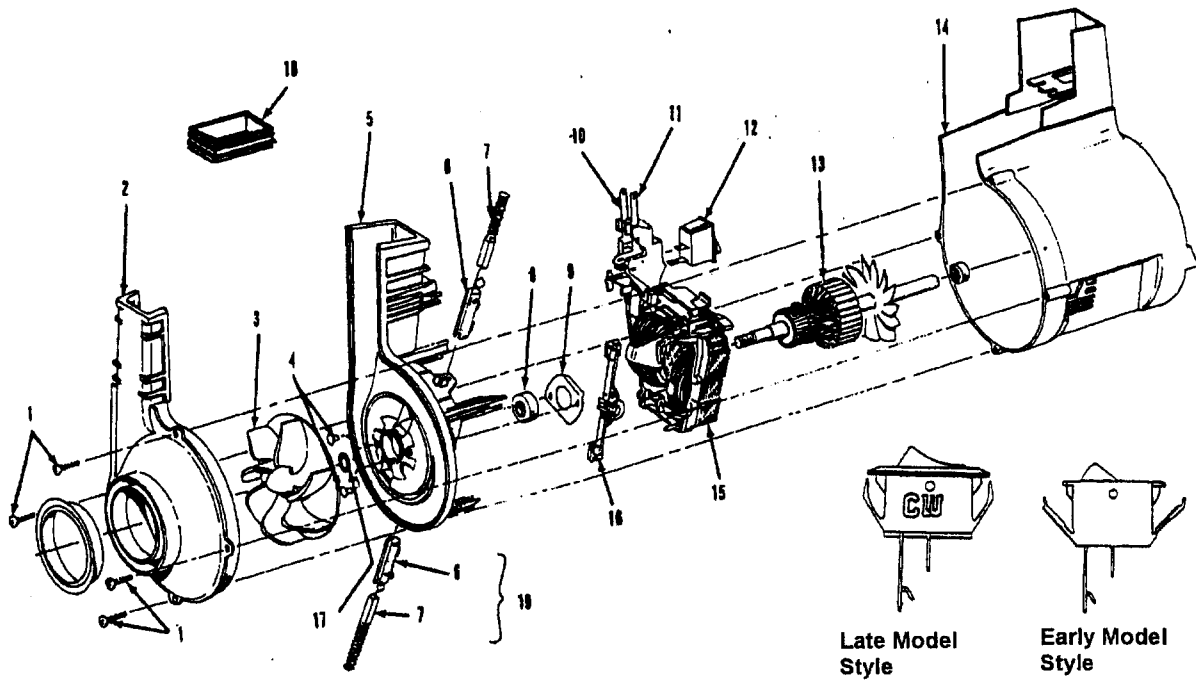
* Model U5041-980 is a combo pack which includes model S1103.

Agitator - 48414081
 Agitator - 48414075

Elite/ Elite II/ Dimension/ Legacy/ TurboPOWER/ Caddy Vac - Four Brush
 Caddy Vac - Four Brush



Ref. No.	Part No.	Description
	48414081	Agitator Assem. Complete (Natural Bristles)
	48414075	Agitator Assem. Complete (Blue Bristles)
1	36423016	Thread Guard - RH
2	43267002	Agitator Bearing Assem. (2)
3	21347003	Conical Washer (2)
4	36422022	Agitator End (2)
5	N/A	Agitator Body
6	32724013	+ Agitator Shaft
7	36423017	Thread Guard - LH - AG



Ref. No.	Part No.	Description
	43576142	Motor Assem. Comp.
	43576181	+ Motor Assem. Comp. (Replaced by 43576204)
1	214793DA	Screw-Self Tapping (4)
2	38736033	Fan Chamber
3	38755030	Fan
4	N/A	Rivet - Semi Tubular (2)
5	N/A	Motor Housing Assem.
6	N/A	Motor Brush Holder (2)
7	N/A	Motor Brush Assem. (2)
8	N/A	Bearing
9	N/A	Bearing Retainer
10	36914004	Switch Bus Bar
11	39116005	+ Attachment Terminal
12	28218043	Switch Assem. - Early Models (Prior to 5/96)
	28161062	Switch Assem. - Late Models (After 5/96)
13	N/A	Armature/Bearing Assem.
14	37194046	Motor End Cap Assem. - MW
15	N/A	Field Assem.
16	N/A	Lamp Holder Assem.
17	21312793	* Washer
18	38783020	Duct Seal
19	41311016	Motor Brush Holder Assem.

ITEMS NOT ILLUSTRATED

- 38781013 + Duct Seal (8 1/2" Long adhesive backed foam seal used on early models in place of item 18)
- 54821001 Tape (Roll)