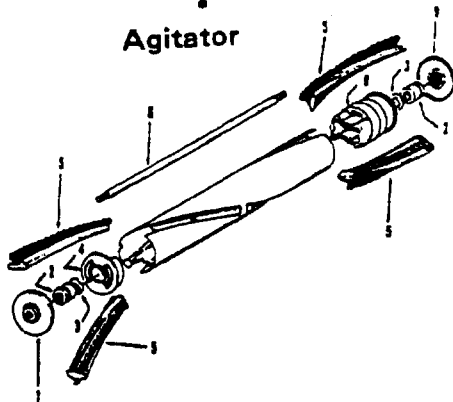
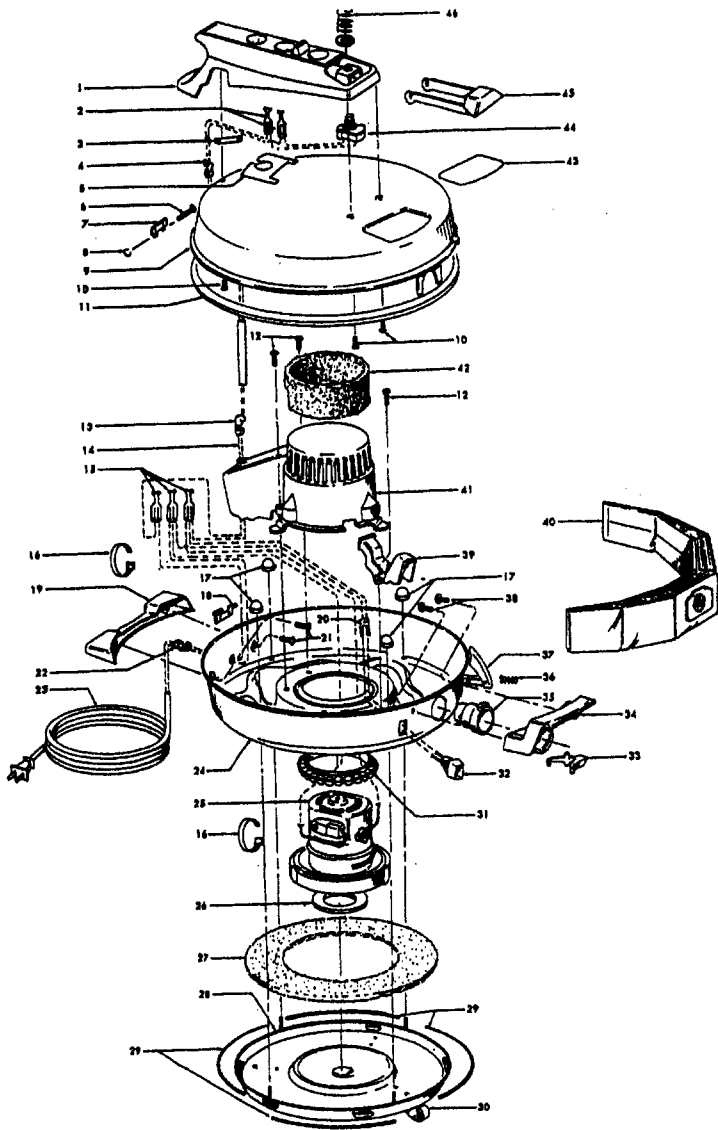


Agitator



Ref. No.	Part No.	Description
	48416009	Agitator
1	41435018	Thread Guard
2	43267002	Bearing
3	21347003	* Spring Washer
4	36422001	End
5	48445017	Agitator Brush
6	160070	Shaft
8	38537002	End Pulley
9	41435021	Thread Guard

Ref. No.	Part No.	Description
	48438189 A, C	Power Nozzle - LS - S3189, S3193, S3213
	48438057 D	Power Nozzle - MX - 4.5' Cord - S3245
	48438189 F	Power Nozzle - LZ - S3211, S3261, S3263, S3263-036, S3263-060, S3403, S3403-022
	48438190 G, J	Power Nozzle - LZ - S3209, S3419, S3425, S3425-022, S3425-032, S3425-060, S3403-022
	48438058 H +	Power Nozzle - LZ - 4.5' Cord
1	46321005	Attachment Cord 4.5'- AG
	46321088	Cord - AG - 3.5
2	42252059 A, C, D, E, F, G, H	Body - LS
	42252174 I, J	Body - AAP
	51375042 A, B, C +	Nameplate
	52125095 F +	Nameplate
	52125088 G	Nameplate
	52125107 H +	Nameplate
	52125113 I	Nameplate
	52125096 J	Nameplate
3	48416009	Agitator
2	163768	Strain Relief
5	34663003	Bracket
6	43482024	Nozzle Connector - LZ
7	12227	Insulated Terminal (2 Wire)
8	34112005	* Seal
9	34337003	* Seal
10	21447041	* Screw
11	32175025	Wheel - AG
12	31523005	Wheel Shaft
13	42246120	Base Plate
14	21447007	* Screw
15	34337004	* Seal
16	42256090	+ Duct Cover
17	34123015	* Duct Cover Seal
18	35276001	* Detent Spring
19	43177073	Motor
20	35271001	Bracket - LH
21	38528011	Belt



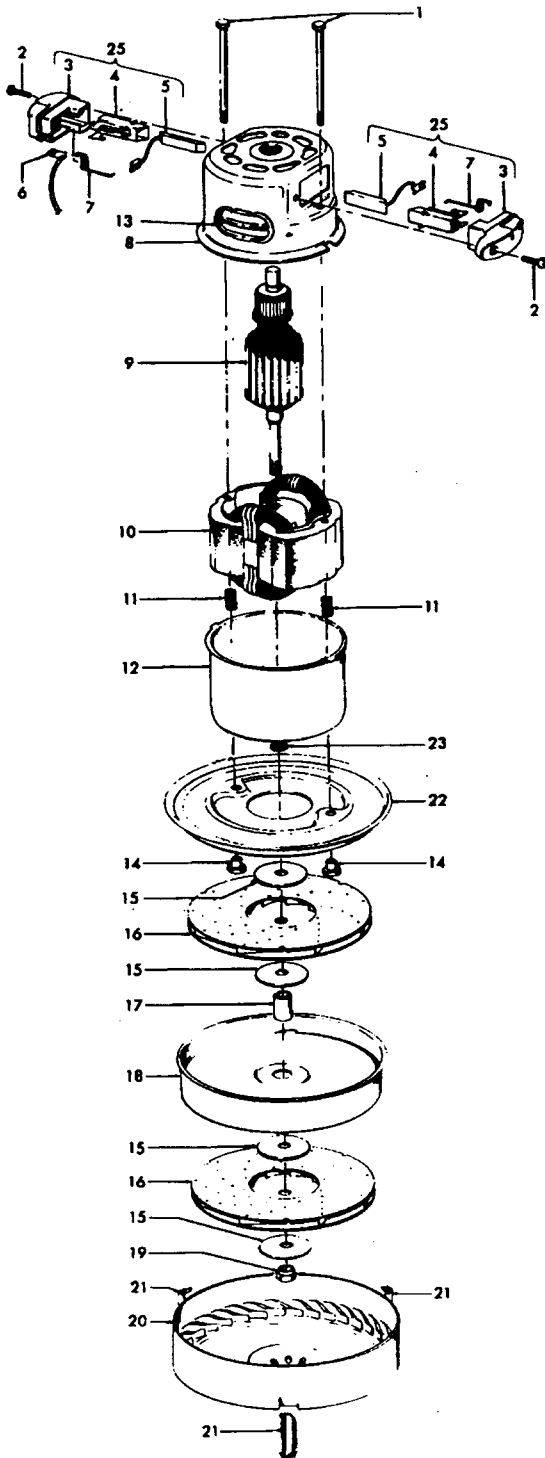
Ref. No.	Part No.	Description
1	36433003	+ Tool Rack - LB
2	48969	* Wire Nut
3	21366003	+ Speed Nut
4	27482124	+ Strain Relief
5	34363002	+ Wire Shield
6	47938	* Hinge Pin
7	35214004	Hinge Leaf - Upper
8	48123AV	+* Lock Ring
9	42211203	+ Upper Shell - LB
10	166735EF	+ Screw
11	170361JM	+ Furniture Guard
12	17001FW	* Screw
13	27482227	Strain Relief
14	46311112	+ Pigtail Cord
15	48969	* Wire Nut
16	27479307	* Wire Tie
17	21851003	+* Nut
18	170348AV	+ Hinge Leaf - Lower
19	36921008	+ Rest Pad - JR
20	34723001	Retainer Clip
21	21447014	* Screw
22	27482301	Strain Relief
23	46363224	Attach. Cord - AAP - 20
24	42213351	+ Intermediate Shell - JR
25	43577074	+ Motor - 3.4 - (P-60)
26	31178015	Compression Pad
27	31178012	Muffler
28	41421326	+ Bottom Pan - JR
29	34111002	Gasket
30	23737202	Caster Wheel
31	169293	Resilient Mount - Upper
32	46326096	+ Receptacle - JM
33	36151012	Latch
34	39457006	+ Handle
35	170352AG	Bag Collar Connector
36	48512FW	+ Spring
37	16439JX	+ Latch
38	21447024	+ Screw
39	37959020	+ Wire Cover - JM
40	4010009H	Throw Away Bag - 3 Pk.
41	37196070	Motor Cover - JM
42	38764006	Filter
43	52125064	+ Nameplate
44	28212026	Switch
45	38456069	+ Switch Button - JR
46	38314002	Spring
	56513134	+ Owner Manual
	58185091	+ Carton
	58343015	+ Bottom Support
	58347002	+ Top Support

Cleaning Tools - (P-92)

48438189 Power Nozzle

Celebrity Motor

Motor - 1 Speed - 43577074 (3.7) Motor - 2 Speed - 43577093 (3.7)



43577093 Motor Comp. - S3153, S3141
43577074 + Motor Comp. - S3059, S3059-030, S3061, S3061-030, S3077, S3139, S3139-035, S3173, S3217, S3219, S3233

Ref. No.	Part No.	Description
1	12022	Field Bolt
2	21429406	* Screw
3	168038	Brush Carrier
4	168506-	Brush Holder
5	167679	Carbon Brush
6	27666551	* Terminal
7	38353004	Spring
8	169706	Motor Housing - Upper
9	44765106	Armature
10	45311018	+ Field - 2 Speed - 3.7
	45311022	+ Field - 1 Speed - 3.7
11	167721FW	Spring
12	41823001	Motor Housing - Lower
13	169702BZ	+ Bushing
14	167695EF	Nut
15	21312774	+ Washer
16	43566006	+ Fan
17	31732003	Spacer
18	169712	+ Interstage
19	33426001	Nut
20	37218005	Diffuser
21	34786002	Spring Clip
22	169713FW	Mounting Plate
23	31148002	Spacer
25	168506	Brush Carrier Assm.

Ref. No.	Part No.	Description
1	43433085	Hose - AAP - Celebrity
2	43433032	+ Hose - JM - Spirit - 5-1/2'
3	43433067	+ Hose - AAP - Spirit - 5-1/2'
	43433081	+ Hose - MV -S/C- Spirit - 5-1/2'
	43433084	Hose - AAP - S/C - Spirit - 7'
	43433111	Hose - 2W - AG -S/C - Spirit
4	46321076	Cord Repair Kit
5	34777005	Suction Reg. Control - AG
	34777007	Suction Reg. Control - MV
6	36153009	Latch Ring - AG
7	43468055	Hose Tube - BL - 14
8	43453086	+ Extension Tube - BL - 22
	43453035	+ Extension Tube - AX - 22
	43453052	Extension Tube - 20 - AX (Gray Clip)
	43453058	+ Extension Tube - BL - 20 (Gray Clip)
9	3863801P	Extension Tube -Poly - AG
10	43453027	Extension Tube
11	43414073	Floor Brush - AG
12	38614023	+ Furniture Nozzle - 1 Pc. - 17
	43414057	Furniture Nozzle - AG
	38614024	Furniture Nozzle - AG
13	43414064	Dusting Brush - AG
14	38617017	Crevice Tool - AG
15	43414015	+ Furniture Brush - JM
	43414016	Furniture Brush - AG
16	38644040	Swivel Connector - JM
	38644020	Swivel Connector - AG
17	33712007	Split Ring
18	48447001	+ Brush Back
19	12845JM	Gasket
20	12783	+* Rivet
21	36171008	Cord Clip - MV
	36171005	Cord Clip - AG
22	13275	+* Screw
23	13142AG	Suction Control
24	13257BZ	Support

