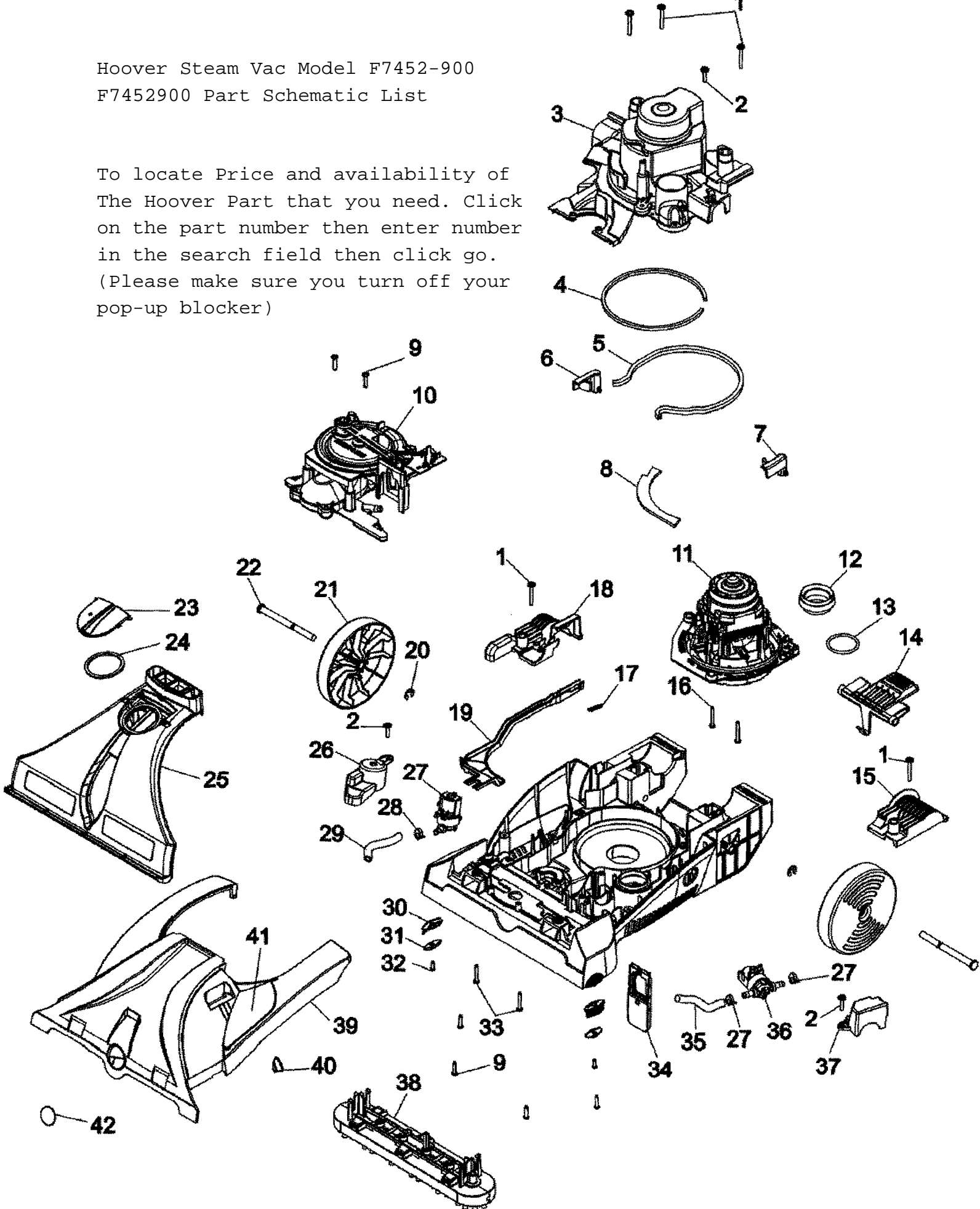


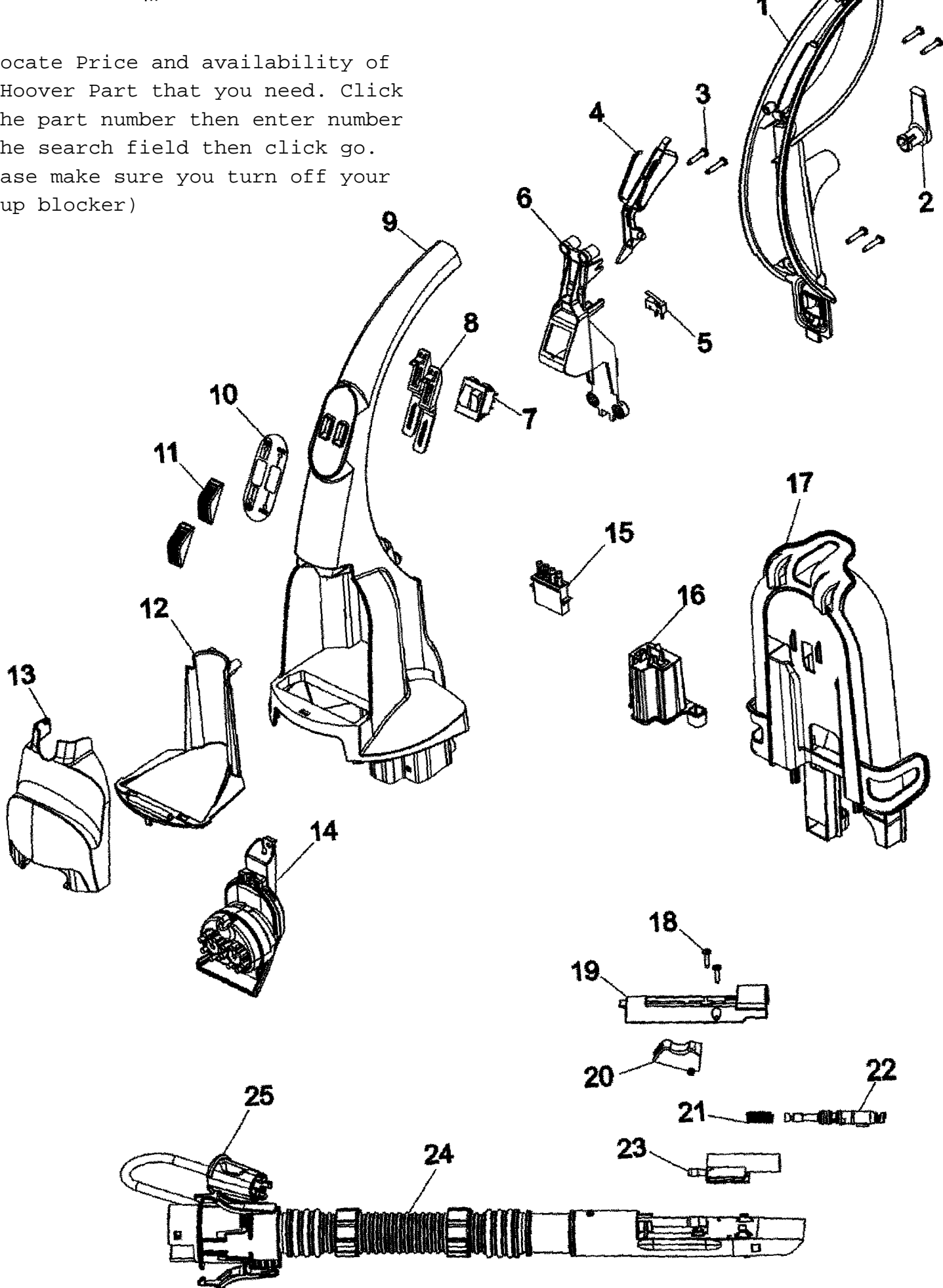
Hoover Steam Vac Model F7452-900  
F7452900 Part Schematic List

To locate Price and availability of  
The Hoover Part that you need. Click  
on the part number then enter number  
in the search field then click go.  
(Please make sure you turn off your  
pop-up blocker)



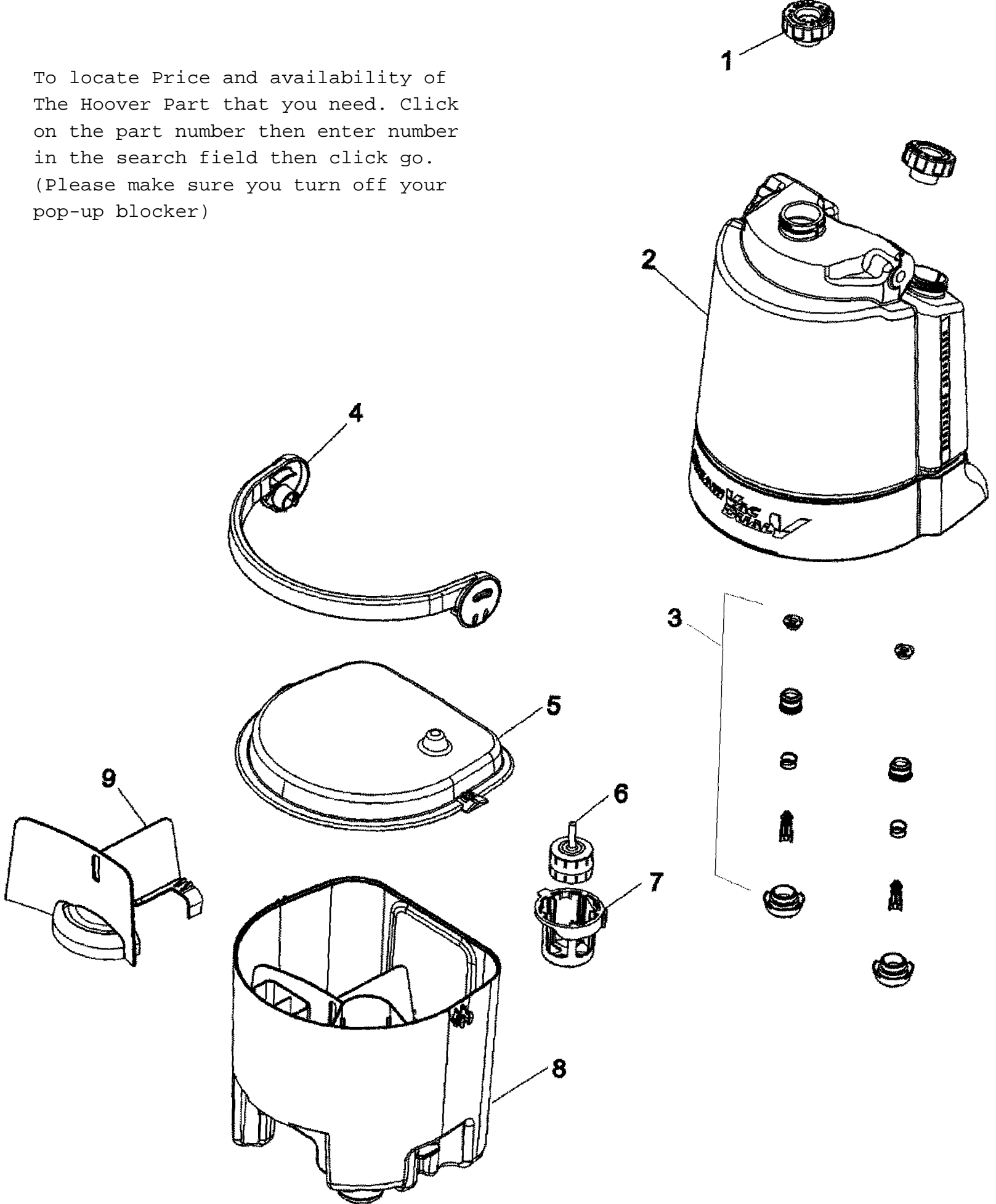
| Item | Part Number | Part Description              | Alt Part | Series | Qty |
|------|-------------|-------------------------------|----------|--------|-----|
| 1    | 23149004    | TAPPING SCREW W/WSH           |          | 10     | 5   |
| 2    | 23149002    | SCREW-SELF TAPPING            |          | 10     | 2   |
| 3    | 92001318    | MOTOR COVER-MV                |          | 10     | 1   |
| 4    | 34113004    | MOTOR SEAL                    |          | 10     | 1   |
| 5    | 38781067    | MOTOR BASE SEAL               |          | 10     | 1   |
| 6    | 92001320    | LATCH-RH-REC TANK-AHB         |          | 10     | 1   |
| 7    | 92001319    | LATCH-LH-REC TANK-AHB         |          | 10     | 1   |
| 8    | 38781074    | SEAL-CUT-INNER                |          | 10     | 1   |
| 9    | 21447217    | SCREW-SELF TAPPING            |          | 10     | 2   |
| 10   | 91001097    | TURBINE AND GEAR ASY          |          | 10     | 1   |
| 11   | 90001167    | MOTOR ASSEM. COMP             | 43576197 | 10     | 1   |
| 12   | 38784063    | STANDPIPE SEAL                |          | 10     | 1   |
| 13   | 25156521    | O RING-F7220                  |          | 10     | 1   |
| 14   | 92001321    | HNDL REL PEDAL-AHB            |          | 10     | 1   |
| 15   | 92001322    | TRUNNION BRCKT LH-MV          |          | 10     | 1   |
| 16   | 21479438    | SCREW                         |          | 10     | 2   |
| 17   | 38331006    | SPRING-TURBINE ACT            |          | 10     | 1   |
| 18   | 92001323    | TRUNNION BRCKT RH-MV          |          | 10     | 1   |
| 19   | 38458066    | TURBINE ACTUATOR ARM          |          | 10     | 1   |
| 20   | 160017--    | LOCK RING                     |          | 10     | 2   |
| 21   | 92001324    | REAR WHEEL W/TREAD-MV         |          | 10     | 2   |
| 22   | 90001211    | REAR AXLE-6 BRUSH-AY          |          | 10     | 2   |
| 23   | 92001325    | DOOR-TOOL PORT-CP             |          | 10     | 1   |
| 24   | 38784091    | SEAL-DOOR                     |          |        | 1   |
| 25   | 91001096    | NOZZLE ASY - 6 BRUSH          |          | 10     | 1   |
|      | 92001262    | SQUEEGEE, HARD FLOOR          |          | 10     | 1   |
| 26   | 92001326    | SOLENOID COVER RH-MV          |          | 10     | 1   |
| 27   | 25686057    | SOLENOID VALVE-GRAVITY        |          | 10     | 1   |
| 28   | 25411015    | HOSE CLAMP                    |          | 10     | 4   |
| 29   | 66173011    | TUBING-6.750 LONG             | 90001101 | 10     | 1   |
| 30   | 92001266    | GROOMERS                      |          | 10     | 2   |
| 31   | 92001267    | GROOMER PLATE                 |          | 10     | 2   |
| 32   | 21447217    | SCREW-SELF TAPPING            |          | 10     | 2   |
| 33   | 21447268    | SCREW                         |          | 10     | 2   |
| 34   | 43613018    | FILTER CASSETTE & SCREEN ASSM |          | 10     | 1   |
| 35   | 66173011    | TUBING-6.750 LONG             | 90001101 | 10     | 1   |
| 36   | 25686056    | SOLENOID VALVE-PRESSURE       |          | 10     | 1   |
| 37   | 92001327    | SOLENOID COVER LH-MV          |          | 10     | 1   |
| 38   | 48437030    | BRUSH BLOCK-6 BRUSH           |          | 10     | 1   |
|      | 92001262    | SQUEEGEE, HARD FLOOR          |          | 10     | 1   |
|      | 92001285    | BARE FLOOR BRUSH 6            |          | 10     | 1   |
| 39   | 37272123    | MAIN BODY ASSEM 6             |          | 10     | 1   |
|      | 92001328    | HOOD-AFT                      |          | 10     | 1   |
| 40   | 90001116    | INDICATOR KNOB-AHB            |          | 10     | 1   |
| 41   | 90001388    | BRUSH NAMEPLATE               |          | 10     | 1   |
| 42   | 51661020    | MEDALLION                     |          | 10     | 1   |

To locate Price and availability of  
The Hoover Part that you need. Click  
on the part number then enter number  
in the search field then click go.  
(Please make sure you turn off your  
pop-up blocker)

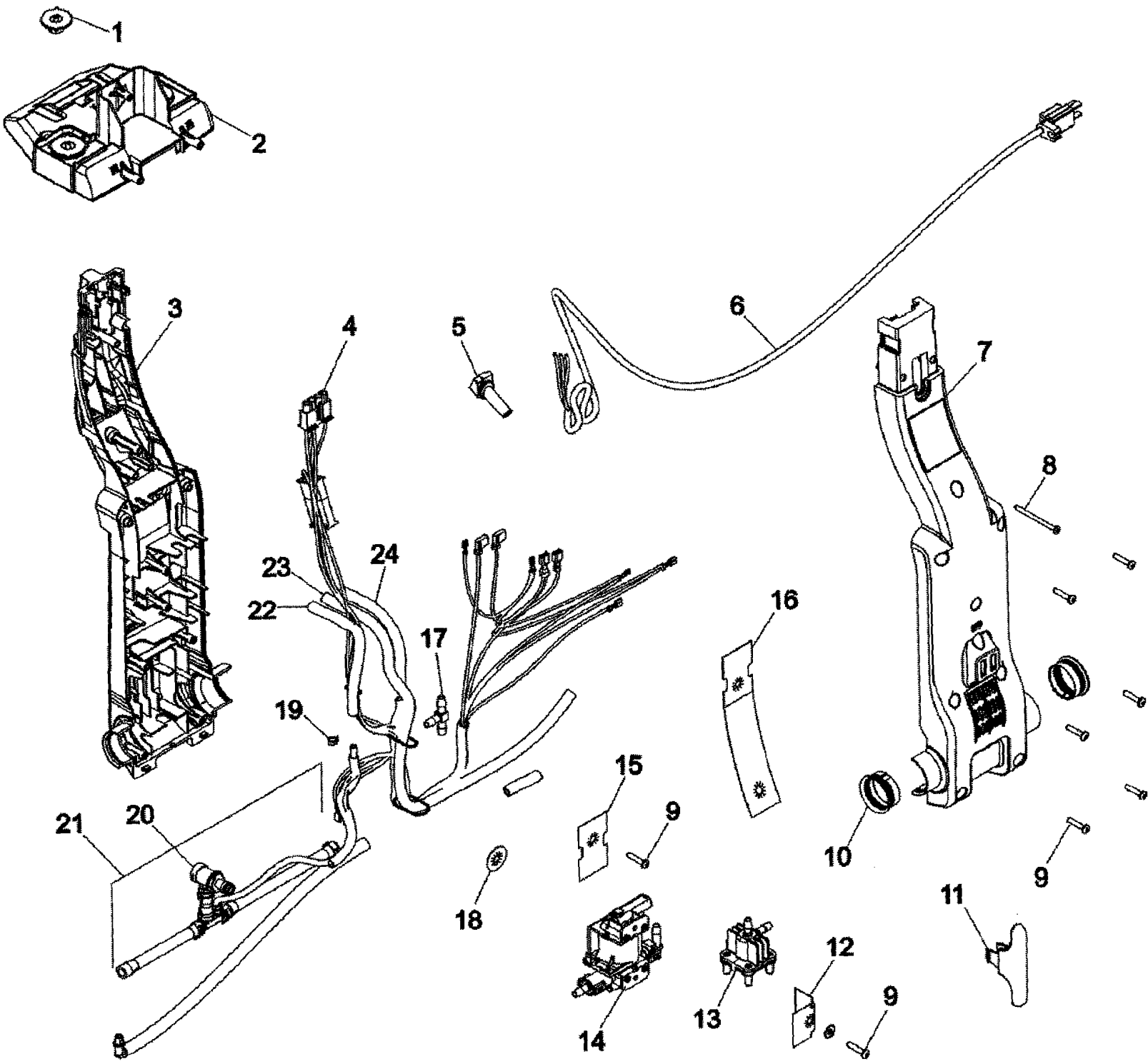


| Item | Part Number | Part Description            | Alt Part | Series | Qty |
|------|-------------|-----------------------------|----------|--------|-----|
| 1    | 92001302    | UPPER HANDLE REAR-AHB       |          | 10     | 1   |
| 2    | 92001304    | CORD WRAP-AHB               |          | 10     | 1   |
| 3    | 21447072    | SCREW                       |          | 10     | 7   |
| 4    | 38434030    | CONTROL LEVER-AG            |          | 10     | 1   |
| 5    | 28218051    | MICRO SWITCH                |          | 10     | 1   |
| 6    | 36436023    | UPPER HDL SUPP/ONLY         |          | 10     | 1   |
| 7    | 28267003    | SWITCH-DBL ROCKER           |          | 10     | 1   |
| 8    | 38458065    | SWITCH ROD-AG               |          | 10     | 2   |
| 9    | 92001303    | UPPR HNDLE FRT-W/TOOLS-MV   |          | 10     | 1   |
|      | 40201243    | HDLR HARDWARE-F7220         |          |        | 1   |
| 10   | 52313108    | LABEL-F7425                 |          | 10     | 1   |
| 11   | 92001305    | SWITCH BUTTON-AHB           |          | 10     | 2   |
| 12   | 92001306    | TOOL HOLDER-MV              |          | 10     | 1   |
| 13   | 92001307    | TOOL HOLDER COVER-CP        |          | 10     | 1   |
| 14   | 48437028    | SCRUB MODULE-F6024-9        |          | 10     | 1   |
|      | 91001197    | TURBINE NOZZLE              |          | 10     | 1   |
| 15   | 46658005    | UPR HDL SUP/SW-NEW          |          | 10     | 1   |
| 16   | 92001308    | WIRE COVER-MV               |          | 10     | 1   |
| 17   | 38613040    | NOZZLE BODY W/BRUSH         |          | 10     | 1   |
|      | 92001281    | CADDY BODY-AHB              |          | 10     | 1   |
| 18   | 21447239    | SCREW                       |          | 10     | 2   |
| 19   | 92001309    | WAND COVER-AHB              |          | 10     | 1   |
| 20   | 38433074    | TRIGGER-SV III'S            |          | 10     | 1   |
| 21   | 38312019    | SPRING                      |          | 10     | 1   |
| 22   | 43412007    | NOZZLE/VALVE ASSEMBL        |          | 10     | 1   |
| 23   | 91001060    | WAND VALVE ASSEMBLY         |          | 10     | 1   |
| 24   | 91001063    | HOSE ASSEMBLY-CLEAR-SERVICE |          | 10     | 1   |
| 25   | 43513010    | CONNECTOR COUPLER SL        |          | 10     | 1   |
| 26   | 56518194    | MANUAL, OWNERS              |          | 10     | 1   |

To locate Price and availability of  
The Hoover Part that you need. Click  
on the part number then enter number  
in the search field then click go.  
(Please make sure you turn off your  
pop-up blocker)



| Item | Part Number | Part Description          | Alt Part | Series | Qty |
|------|-------------|---------------------------|----------|--------|-----|
| 1    | 42272138    | THREADED CAP-F7220        |          | 10     | 2   |
| 2    | 39457062    | SUP TANK LATCH/HANDLE AFT |          | 10     | 1   |
|      | 91001199    | SUPPLY TANK ASY           | 90001295 | 10     | 1   |
| 3    | 43513014    | SUPPLY TANK VALVE         | 12002549 | 10     | 1   |
| 4    | 92001315    | REC TANK CARRY HNDL-AFT   |          | 10     | 1   |
| 5    | 92001316    | REC TANK LID ASY COMP     |          | 10     | 1   |
| 6    | 43538002    | FLOAT ASY                 |          | 10     | 1   |
| 7    | 38719043    | FLOAT RETAINER            |          | 10     | 1   |
| 8    | 42272172    | REC TANK ASY COMP         |          | 10     | 1   |
| 9    | 92001317    | REC TANK BFFL WALL-AJA    |          | 10     | 1   |



To locate Price and availability of  
The Hoover Part that you need. Click  
on the part number then enter number  
in the search field then click go.  
(Please make sure you turn off your  
pop-up blocker)

| Item | Part Number | Part Description          | Alt Part | Series | Qty |
|------|-------------|---------------------------|----------|--------|-----|
| 1    | 92001310    | METERING PLATE-MV         |          | 10     | 1   |
| 2    | 41423024    | SUPPLY TANK SUPP ASY      |          | 10     | 1   |
| 3    | 92001311    | LWR HNDL FRT-MV           |          | 10     | 1   |
| 4    | 46658004    | WIRING HARNESS-F7425      |          | 10     | 1   |
| 5    | 36215028    | CORD PROTECTOR-WTBGL      |          | 10     | 1   |
| 6    | 91001198    | ATTACH CORD ASY-AG        |          | 10     | 1   |
| 7    | 92001312    | LWR HNDL REAR-MV          |          | 10     | 1   |
| 8    | 21447019    | SCREW-U3301/U4211         |          | 10     | 1   |
| 9    | 21447269    | SCREW                     |          | 10     | 6   |
| 10   | 32456001    | TRUNNON SLEEVE F7220      |          | 10     | 2   |
| 11   | 92001313    | CORD HOSE HOOK-MV         |          | 10     | 1   |
| 12   | 34264006    | INSULATOR F7220           |          | 10     | 1   |
| 13   | 43513013    | PRESSURE VALVE ASY        |          | 10     | 1   |
| 14   | 43582011    | PUMP ASSEM.-SOLENOID      |          | 10     | 1   |
| 15   | 34264006    | INSULATOR F7220           |          | 10     | 1   |
| 16   | 34285001    | INSULATOR-F7425           |          | 10     | 1   |
| 17   | 38681010    | T CONNECTOR               |          | 10     | 1   |
| 18   | 34264007    | INSULATOR F7220           |          | 10     | 1   |
| 19   | 25411015    | HOSE CLAMP                |          | 10     | 4   |
| 20   | 43523004    | QUICK DISCONNECT ASY SERV |          | 10     | 1   |
| 21   | 43491046    | QUICK DISCON/TUBING       |          | 10     | 1   |
| 22   | 66173011    | TUBING-6.750 LONG         | 90001101 | 10     | 1   |
| 23   | 66173013    | TUBING-22.250 LONG        |          | 10     | 1   |
| 24   | 66173011    | TUBING-6.750 LONG         | 90001101 | 10     | 1   |