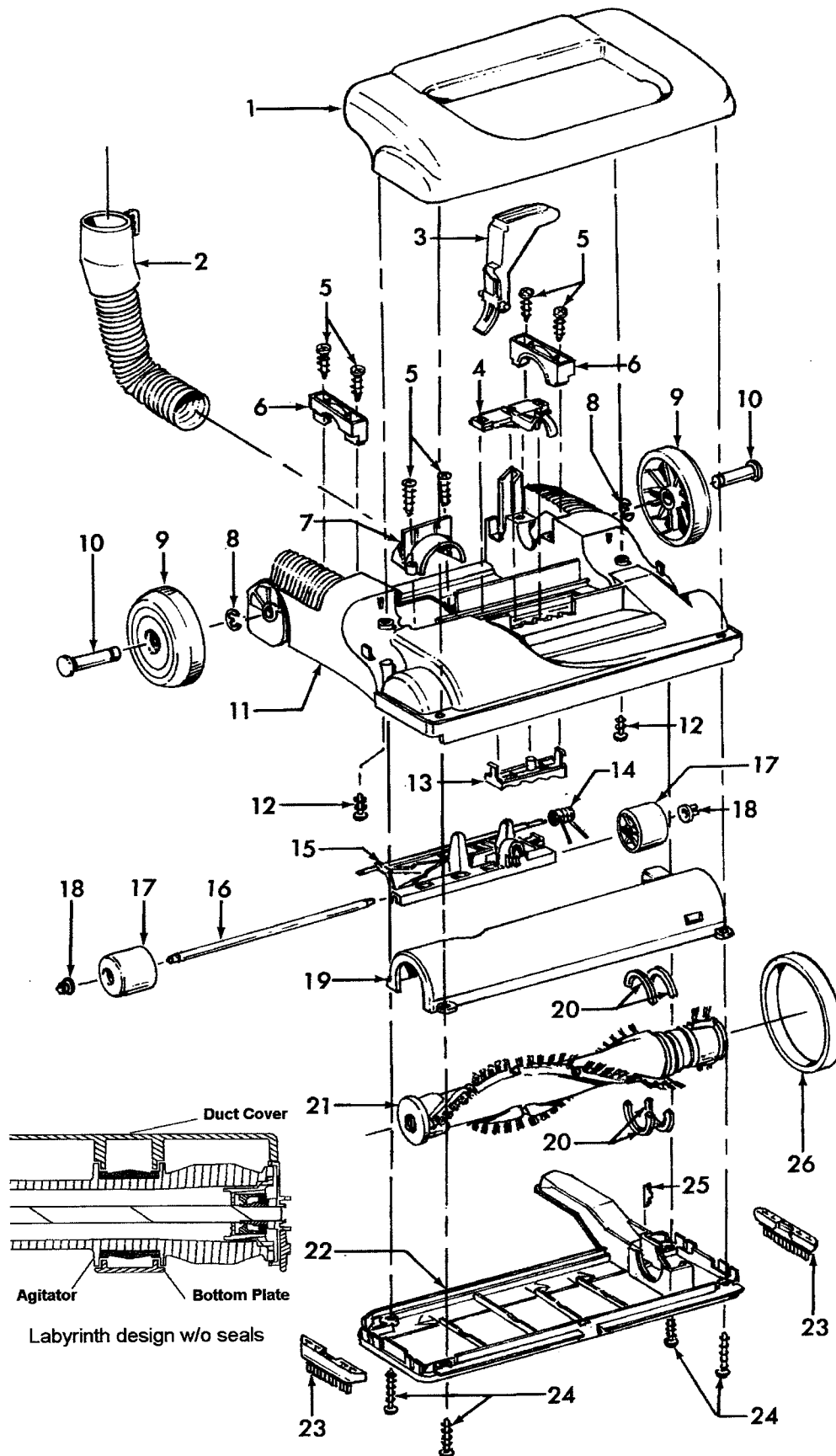


WindTunnel Models U5393-900(13 IN), U5395-900(13 IN), ** U5395-940(13 IN),
 U5395-970(13 IN), **** U5443-960(15 IN), U5445-900(15 IN), *** U5445-940(15 IN), U5449-940(15 IN),
 IN), U5449-940(15 IN),
 U5450-900 (15 IN), U5451-900(15 IN), U5452-900 (15 IN), *U5395-960(13IN), U5460-900
 (15 IN) U5435-900(13"
 WindTunnel TurboPOWER Model U5420-900(15 IN), U5469-900(13 IN), U5469-910(15 IN),
 U5475-900(15 IN), ***** U5475-960 (13 IN



WindTunnel Models U5393-900(13 IN), U5395-900(13 IN), ** U5395-940(13 IN),
U5395-970(13 IN), **** U5443-960(15 IN), U5445-900(15 IN), *** U5445-940(15 IN),U5449-940(15 IN),

U5450-900 (15 IN), U5451-900(15 IN), U5452-900 (15 IN), *U5395-960(13IN), U5460-900
(15 IN)U5435-900(13"

WindTunnel TurboPOWER Model U5420-900(15 IN), U5469-900(13 IN), U5469-910(15 IN),
U5475-900(15 IN), ***** U5475-960 (13 IN

	37253285		Hood - ABY - 13 IN - U5433-900
	37253287		Hood - ABY - 13 IN - U5395-900
	37253290		Hood - AG - 13 IN - U5469-900
	37253307		Hood - ACM - 13 IN - U5403-900
	37253315		Hood - AG - 13 IN - U5393-900
	37253381		Hood - ACX - 13" - U5330-900
	37253342		Hood - ADX - 13 IN - U5434-900
	37253286		Hood - ABY - 15 IN - U5445-900
	37253289		Hood - AG - 15 IN - U5475-900 - (Early models w/ Standard Hood)
	37253299		Hood - AG - 15 IN - U5475-900 - (Late models w/ Deluxe Hood)
	37253294		Hood - AG - 15 IN - U5443-900
	37253297		Hood - ABY - 15 IN - U5451-900
	37253298		Hood - AG - 15 IN - U5469-910
	37253305		Hood - ACL - 15 IN - U5397-900
	37253313		Hood - ACF - 15 IN - U5449-940
	37253316		Hood - AG - 15 IN - U5420-900
	37253306		Hood - ABR - 15 IN - U5396-900
	37253319		Hood - MU - 15 IN - U5447-900
	37253343		Hood - ADK - 15 IN - U5450-900
	37253383		Hood - AFE - 15 IN - U5452-900 models produced after 5/01
	N/A		Hood - AAY - 15 IN - U5452-900
	37253350		Hood - ADX - 15 IN - U5460-900
	37253387		Hood - ABR - 15 IN - U5398-900
	37253353		Hood - AG - 13 IN - U5415-900
	37253363		Hood - ACL - 13 IN - U5435-900
	37253391		Hood - ADX - 15 IN - U5446-900, U5446-990
2	43431005		Angled Hose Conn. Assem. w/ Hose Door (models w/o nozzle hose extension)
3	38458043		Handle Release Lever
4	40309004		Nozzle Adj. Lever / Cam Assembly (Inc. item 13)
5	21447072	*	Screw Self Tapping
6	36131094		Trunnion Cover - ABE
7	36171044		Hose Clamp - ABE
8	160017	*	Retaining Ring
9	38522077		Rear Wheel
	43244005		Rear Wheel - U5452-900
10	32434008		Rear Axle - AAX
11	37242124		Main Body - ABE - 13 IN
	37242123		Main Body - ABE - 15 IN
12	21447228	*	Screw Self Tapping
13	40309004		Nozzle Adj. Lever / Cam Assembly (Inc. item 4)
14	38355010		Torsion Spring
15	36432027		Front Wheel Support
15	43248057		Front Wheel Assembly (Includes items 15, 16, 17, 18)
16	32541003		Wheel Shaft
17	38521004		Front Wheel
18	36131056	*	Wheel Retainer
19	40309034		Bottom Plate / Duct Cover - 15 IN - Labyrinth design (See Illustration)
	40309026		Bottom Plate / Duct Cover - 15 IN (Inc. It. 22)
	40309025		Bottom Plate / Duct Cover - 13 IN (Incl. It. 22)
20	38781053	*	Agitator Pulley Seal
21	48414115		Agitator Assem. Comp. - 15 IN
	48414110		Agitator Assem. Comp. - 13 IN
22	40309034		Bottom Plate / Duct Cover - 15 IN Labyrinth design (See Illustration)
	40309026		Bottom Plate / Duct Cover - 15 IN
	40309025		Bottom Plate / Duct Cover - 13 IN (Incl. It. 19)
23	39511004		Litter Picker (2)
24	21447121	+	Screw Self Tapping
25	13261AY	*	Rug Nozzle Rib Shoe

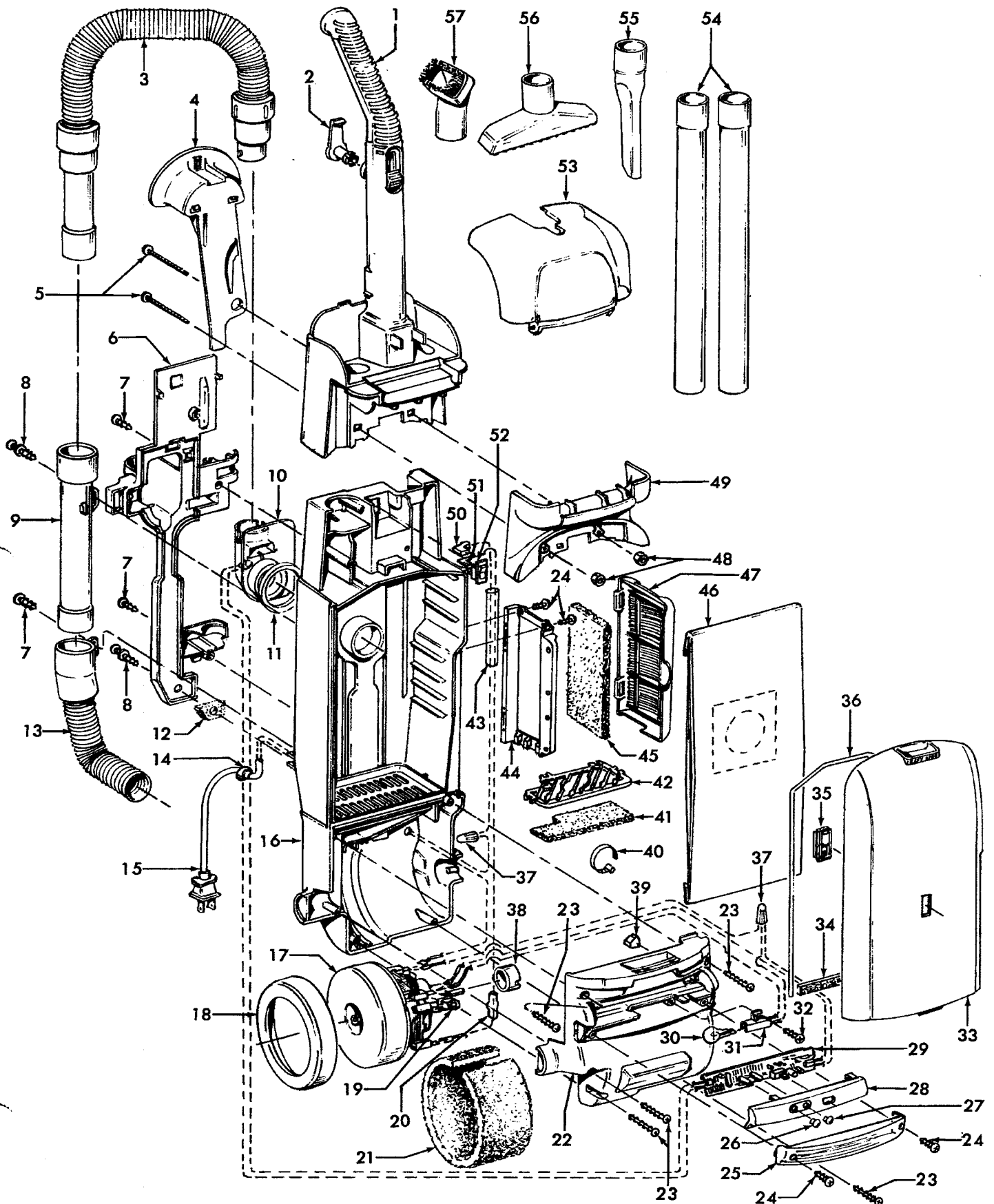
VacShopUSA.com
1-800-353-9991 E-Mail:
Sales@VacShopUSA.com

Belt

- * Model U5395-960 is identical to model U5395-900 except for addition of deluxe hose and nozzle hose extension
- ** Model U5395-940 is identical to model U5395-900 except for additional 6 Throw-away bags
- *** Model U5443-940 and U5445-940 are identical to models U5443-940 and U5445-940 respectively except for additional 6 Throw-away bags
- **** Model U5443-960 is identical to model U5443-900 except for the addition of the extra 20' hose
- *****U5396-960 is identical to model U5396-900 except for the addition of the extra 20' hose
- ***** Model U5475-960 is identical to model U5475-900 except for 31' hose and addition of 20' hose
- *****Model U5398-990 is identical to model U5398-900 except for the addition of Turbine Powered Hand Too

**VacShopUSA.com 1-800-353-9991 E-Mail:
Sales@VacShopUSA.com**

VacShopUSA.com 1-800-353-9991 E-Mail: Sales@VacShopUSA.com



WindTunnel
Model U5452-900

1	48663205	Upper Handle - ABE (Inc. it. 2, 49)
2	3944201P	Cord Wrap
3	43434031	Hose Assembly Comp.
4	36433137	Hose Holder
5	40201149	Handle Hardware
6	36433120	Wand/Hose Holder - ABE
7	21447242	Screw Self Tapping
8	23149002	Screw
9	43457024	Hose Door Assembly
10	47823003	EDF Mic / Duct Assembly
11	31178017	Hose Connector Gasket
12	34311004	Wire Opening Seal
13	43431005	Angled Hose Connection
14	27482230	Strain Relief
15	46383322	Cord - 35' - w/ 3/16" terminals
	46383334	Cord - 35' - w/ 1/4" terminals (See note 1)
16	37255011	Bag Housing - Dlx. - ABE
	37255029	Bag Housing - U5462-900
17	43576188	Motor Assembly
	43566016	Motor Suction Fan
	33426001	Fan Nut
18	36322035	Motor Mount - Large
19	41311017	Motor Brush Assembly (2)
20	47534027	Thermal Protector - w/ 3/16" terminal
	28382087	Thermal Protector- w/ 1/4" terminal
	51873001	Thermal Protector Label
21		Not Applicable
22	37196009	Motor Cover
	37196158	Motor Cover - U5462-900
23	21447230	* Screw Self Tapping
24	21447228	* Screw Self Tapping
25	39383107	Lens - CP
26	27352030	Snap-In Lens - Red
27	27352031	Snap-In Lens - Green
28	42258002	EDF Cover - U5452-900
	42258001	EDF Cover - U5439-900, U5456-900, U5453-900
29	46851032	EDF PC Board with amber, red, and green lights - U5452-900
	46851031	EDF PC Board with red and green lights - U5439-900, U5453-900, U5456-90
30	27313101	Dirt Finder Lamp
31	47173024	Wiring Harness - w/ 3/16" terminals
	47173028	Wiring Harness - w/ 1/4" terminals (see
32	21447072	* Screw Self Tapping
33	42255087	Bag Housing Door - Common - (Inc. items 34, 36)
	42255090	+ Bag Housing Door - ADK - (Inc. items 34, 36) - U5456-900
	42255098	Bag Housing Door - ADK - U5453-900
	42255103	Bag Housing Door - ADS - U5462-900
	42255099	Bag Housing Door - ADS - (Inc. items 34, 36) - U5439-900
	42255102	Bag Housing Door - AFE - U5452-900
34	34123050	Bag Door Gasket
35	51151010	Indicator Assembly - U5453-900
36	38781057	Bag Door Gasket
37	27618508	* Wire Connector
38	36322030	Motor Mount - Small
39	34131019	Wire Opening Plug
40	27479307	* Lead Wire Tie
41	38765019	Secondary Filter
42	36426034	Secondary Filter Retainer
43	66655409	Protector Tube
44	36426033	Filter Holder - ABE
45	40110004	Final Filter - (Inc. 2 filters)
46	4010100Y	Throw-Away Bag (3 Pk)
47	37257221	Filter Grill - ABC
48	40201149	Handle Hardware
49		Not Available

VacShopUSA.com
1-800-353-9991 E-Mail:
Sales@VacShopUSA.com



50
51
52 28161063
28161067
53 37257260
54 38634078
55 38617027
56 3861401E
57 43414162
Items Not Illustrated

Not Available
Not Available
Switch - 3/16" terminals
Switch - 1/4" terminals (see note 1)
Tool Door - AAN
Extension Tube - AG
Crevice Tool - ABR
Furniture Nozzle - ABR
Dusting Brush - ABR

VacShopUSA.com
1-800-353-9991 E-Mail:
Sales@VacShopUSA.com

43434042
49811072
12910
37911080
49129007
27352032

Hose Assem. Comp. - (Extra -
Lead Wire - Blue (from cord to
Cord Clamp
Handle Cap
Turbine Driven Hand Tool - U5456-900, U5462-900
Snap in Lens - Amber

56511A67
56511A96
56511A90
58185212
58185185

Owner Manual - U5439-900, U5453-900, U5456-900
Owner Manual - U5462-900
Owners Manual - U5452-900
Cleaner Carton - U5439-900, U5453-900, U5456-900
Cleaner Carton - U5452-900

Main body and related components: U5452-900 (P.325)

Note 1 - Models produced after June 2000 incorporated 14 gauge wiring and associated electrical components with 1/4" terminals. Ref. service bulletin 4-00. U5456-900 and U5439-900 were produced with 1/4" components only