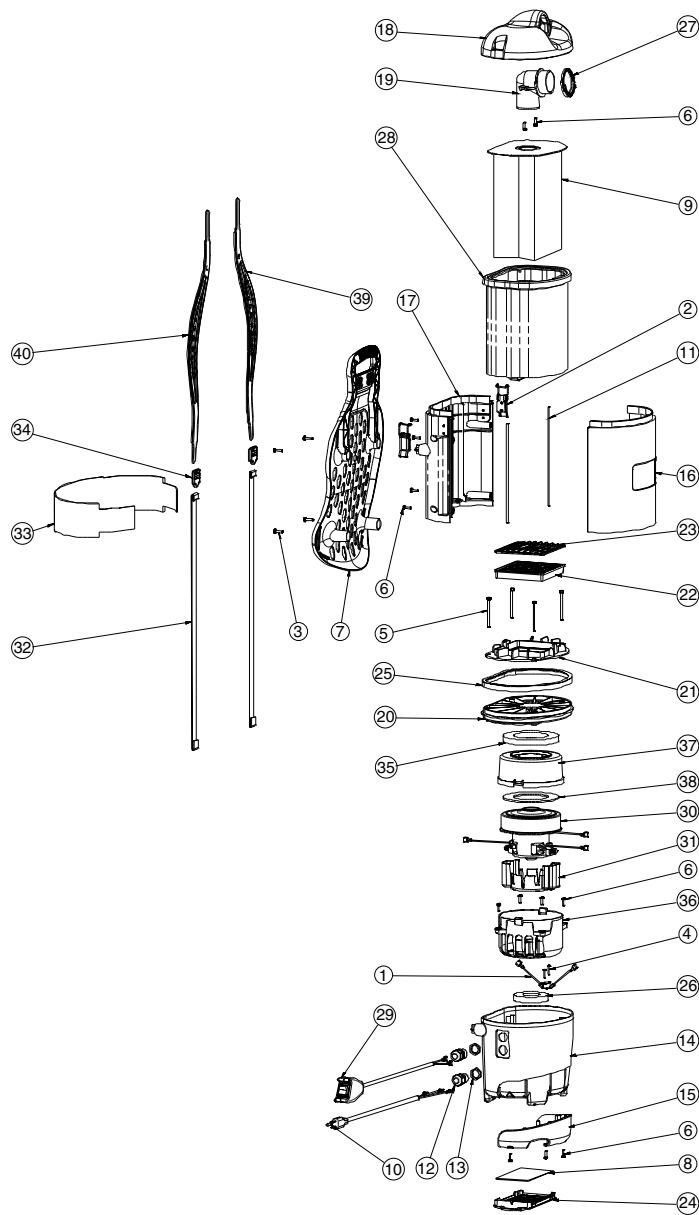


Sanitaire Model SC412 and Powr Flite PF300BP Parts



ref #	item #	description
1	A328-1400	THERMAL PROTECTION SWITCH
2	A352-3300	LATCH
3	A352-8100	#10 .750 TYPE B PHILIPS PAN HEAD SCREW
4	A352-8200	#6 X .375 HI-LO PHILIPS PAN HEAD SCREW
5	A430-0205	#8-16 X 2.500 PHILIPS PAN HEAD SCREW
6	A732-8300	#8 X .625 HI-LO PHILIPS PAN HEAD SCREW
7	B352-1300	BACK REST
8	B352-2400	POST FILTER
9	B352-2500	PAPER BAG 62370
10	B352-3200	POWER HARNESS
11	B352-6100	BAG COMPARTMENT SEAL
12	B352-600	HEYCO FITTING
13	B352-6800-NUT	HEYCO FITTING NUT
14	B352-0100	MOTOR COMPARTMENT
15	B352-0200	BUMPER
16	B352-0300	FRONT PLATE
17	B352-0400	BACK PLATE
18	B352-0500	COVER
19	B352-0600	HOSE INLET
20	B352-0700	MOTOR COVER
21	B352-0800	SECONDARY FILTER PLATE
22	B352-0900	SECONDARY FILTER FRAME
23	B352-1000	SECONDARY FILTER CAP
24	B352-1100	POST FILTER FRAME
25	B352-1200	BODY SEAL
26	B352-1900	BOTTOM MOTOR MOUNT
27	B352-4800	INLET SEAL
28	C352-1400	SHAKE OUT BAG
29	C352-2800	SWITCH HARNESS
30	A113-2600	5.1" SINGLE STAGE TEK MOTOR
31	B113-0915	TEK MOTOR SHROUD PC
32	B352-5800	SHOULDER HARNESS STRAP
33	B352-6600	WAIST BELT
34	B352-6700	SHOULDER STRAP BUCKLE
35	B352-1800	TOP MOTOR MOUNT
36	B352-5300	MOTOR SHROUD BOTTOM 5.1 - 1 STAGE
37	B352-5400	MOTOR SHROUD TOP 5.1 - 1 STAGE
38	B352-5500	MOTOR SEAL
39	B352-5600	RIGHT SHOULDER HARNESS
40	B352-5700	LEFT SHOULDER HARNESS

NOT ILLUSTRATED

	B352-3600	CREVISE TOOL
	B352-3500	UPHOLSTERY TOOL
	B352-3700	DUST BRUSH TOOL BODY
	B352-3800	DUST BRUSH BRISTLES
	B352-4200	CARPET TOOL BODY
	B352-4300	CARPET TOOL BUMPER
	B352-4500	BARE FLOOR TOOL BODY
	B352-4600	BARE FLOOR TOLL BRUSH
	A352-3400	HOSE
	B352-3900	TELESCOP WAND
	A134-0441	50' EXTENSION CORD 16-3 SJT YELLOW