

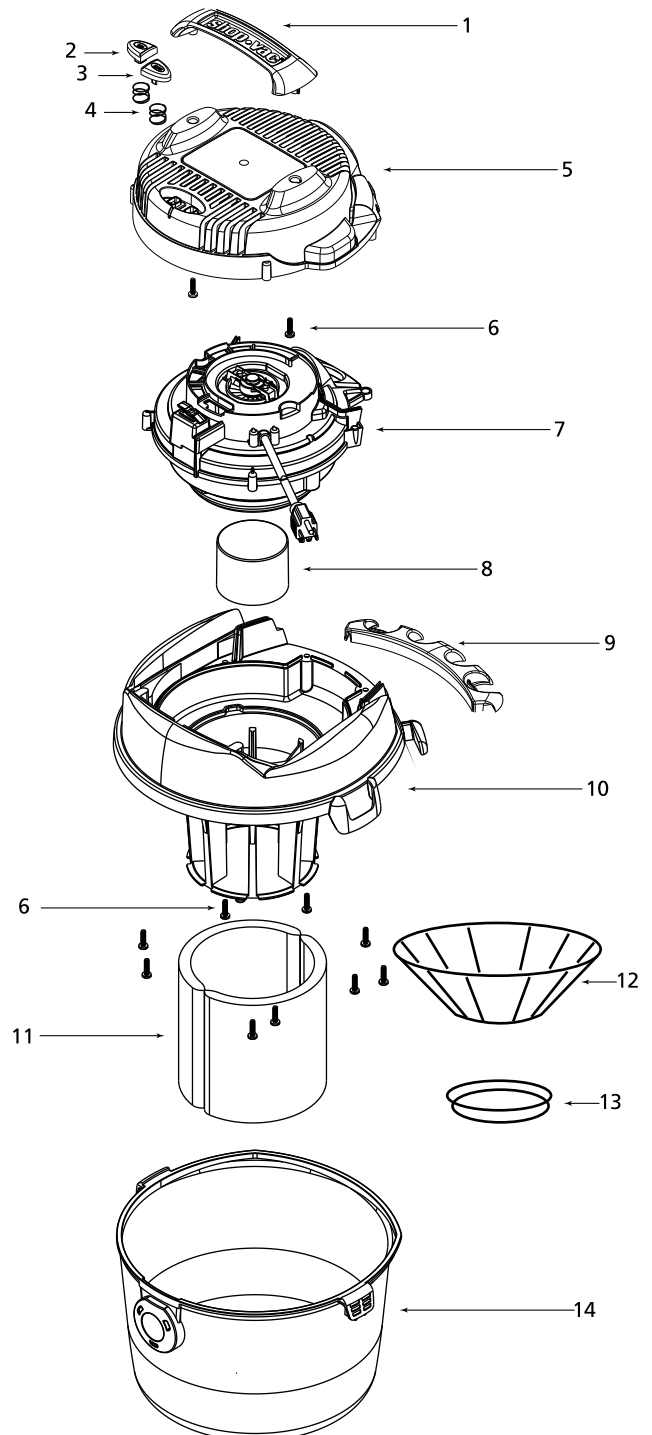
shop-vac®

Model - 90S200

Catalog 9300211
(2.5 Gal.)



ITEM	DESCRIPTION	PART NO.
1	Handle	3752000
2	Switch Button – Red	7441510
3	Switch Button – Green	7441500
4	Spring	2802899
5	Motor Cover Assembly (Includes Item 1-5)	3746011
6	Screw 10 x 3/4" Trilobe T25 Head	1516599
7	Power Unit Assembly	8131097
8	Float	3545000
9	Tool Holder	8412101
10	Lid Cage Assembly	1944107
11	Foam Sleeve	9058562
12	Reusable Dry Filter (Includes Item 13)	9010762
13	Filter Ring	3006500
14	Tank Assembly	1025397



STANDARD ACCESSORIES

- 4' x 1-1/4" hose
- crevice tool
- gulper nozzle

THREE-YEAR HOME USE WARRANTY

Your Shop-Vac® vacuum cleaner is warranted in normal household use, in accordance with the User Manual, against original defects in material and workmanship for a period of three years from date of purchase. Should this product be used for commercial or rental use, a 90 day limited warranty will apply. Shop-Vac Corporation warrants placing this vacuum cleaner in correct operating condition, by repair or parts replacement, during the warranty period, without charge. This warranty does not cover accessories. Use of non-recommended filters and/or accessories may void the manufacturer's warranty.