

shop-vac®

Model - 86L300

Catalog 5861227
(10 Gal.) Walmart



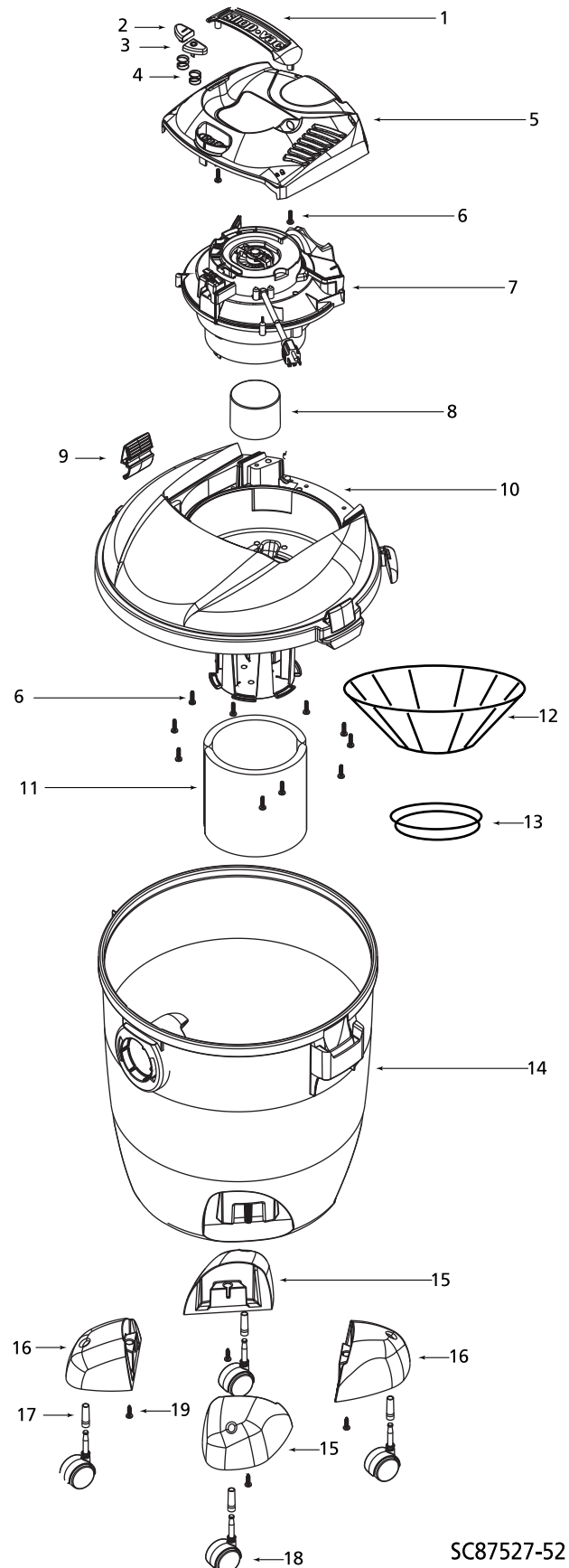
| ITEM | DESCRIPTION | PART NO. |
|------|--|----------|
| 1 | Handle | 3751000 |
| 2 | Switch Button – On | 7414200 |
| 3 | Switch Button – Off | 7414210 |
| 4 | Spring | 2802899 |
| 5 | Motor Cover Assembly | 1944090 |
| 6 | Screw 10 x 3/4" Trilobe T25 Head | 1516599 |
| 7 | Power Unit Assembly | 8130397 |
| 8 | Float | 3545000 |
| 9 | Lid latch | 7444500 |
| 10 | Lid Cage and Latch Assembly | 1944093 |
| 11 | Foam Sleeve | 9058562 |
| 12 | Reusable Dry Filter (Includes item 13) | 9010762 |
| 13 | Mounting Ring | 3006500 |
| 14 | Tank Assembly | 1023897 |
| 15 | Caster Foot A | 8567000 |
| 16 | Caster Foot B | 8567010 |
| 17 | Retainer | 8565500 |
| 18 | Caster | 6774200 |
| 19 | Screw 10 x 3/4" SL Hex Head | 1503999 |

STANDARD ACCESSORIES

- 7' x 1-1/4" hose
- 10" wet/dry nozzle
- 2 - 1-1/4" extension wands
- 10" squeegee insert

THREE-YEAR HOME USE WARRANTY

Your Shop-Vac® vacuum cleaner is warranted in normal household use, in accordance with the User Manual, against original defects in material and workmanship for a period of three years from date of purchase. Should this product be used for commercial or rental use, a 90 day limited warranty will apply. Shop-Vac Corporation warrants placing this vacuum cleaner in correct operating condition, by repair or parts replacement, during the warranty period, without charge. This warranty does not cover accessories. Use of non-recommended filters and/or accessories may void the manufacturer's warranty.



SC87527-52