

 **Sanitaire<sup>®</sup>**

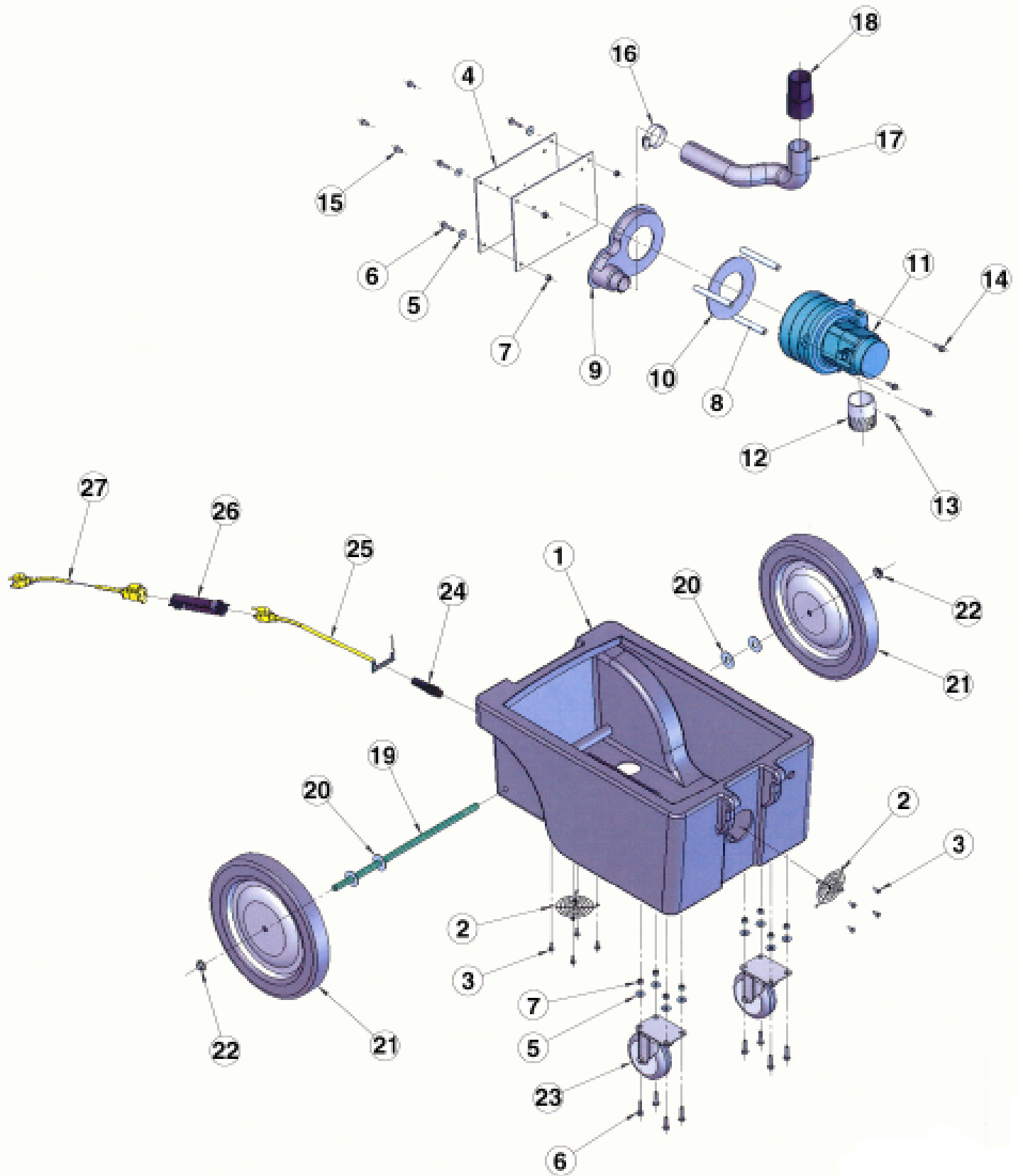
by  
***EUREKA***

REPAIR PARTS LIST

**SC6080**

CANISTER CARPET CLEANER

Date: July 12, 2004 Please email [chicago@thevacshop.com](mailto:chicago@thevacshop.com) for part prices.

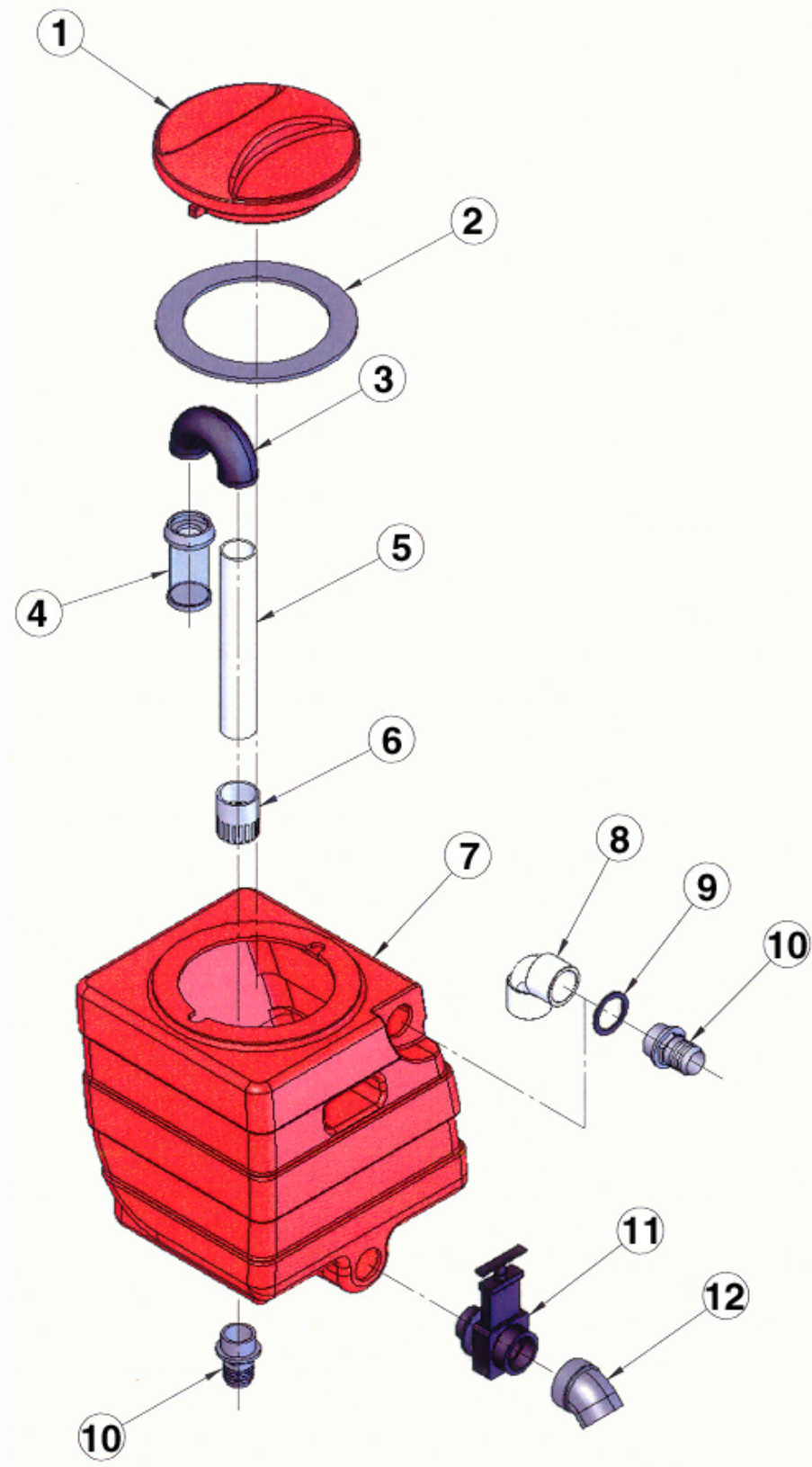


Please email [chicago@thevacshop.com](mailto:chicago@thevacshop.com) for part prices.

## SC6080

1.	P799	BASE (9-GALLON)
2.	H296	COOLING FAN WIRE GUARD
3.	H206	SCREW, HEX HD., SELF-TAPPING, #10-32 X 1/2" LG.
4.	H330	PLATE, SINGLE MANIFOLD
5.	H210	WASHER, FLAT, 1/4"
6.	H342	BOLT, HEX HD., 1/4-20 X 1" LG.
7.	H216	LOCKNUT, 1/4-20
8.	H501	3-STAGE VACUUM SUPPORT
9.	P735	SINGLE MANIFOLD
10.	G004	GASKET, VACUUM MOTOR
11.	C302	MOTOR, 3 STAGE 115V
12.	H244	ADAPTER, PVC, 1-1/2"
13.	H343	SCREW, SELF-TAPPING, #10 X 5/8" LG.
14.	H768	BOLT, 1/4-20 X 3/4" LG. SERRATED FLANGE
15.	H201	BOLT, 1/4-20 X 1/2" LG. HEX HEAD
16.	H217	HOSE CLAMP
17.	PH627 (6080)	HOSE, VACUUM, 1-1/2" X 22" LG.
18.	H300	HOSE CUFF, 1-1/2"
19.	PH620-16	AXLE, 1/2" X 16" LG.
20.	H254	WASHER, AXLE, 5/8" ID
21.	H251	WHEEL, 12"
22.	H219	1/2" AXLE CAP
23.	H668	CASTER, 4" DIA.
24.	H856	FITTING, STRAIN RELIEF 3/8" NPT
25.	E548	CORD, POWER, PIGTAIL, 16/3, 18"
26.	G131	CONNECTOR, CORD
27.	E535	CORD, EXTENSION, 16/3, 50' LG.

Please email [chicago@thevacshop.com](mailto:chicago@thevacshop.com) for part prices

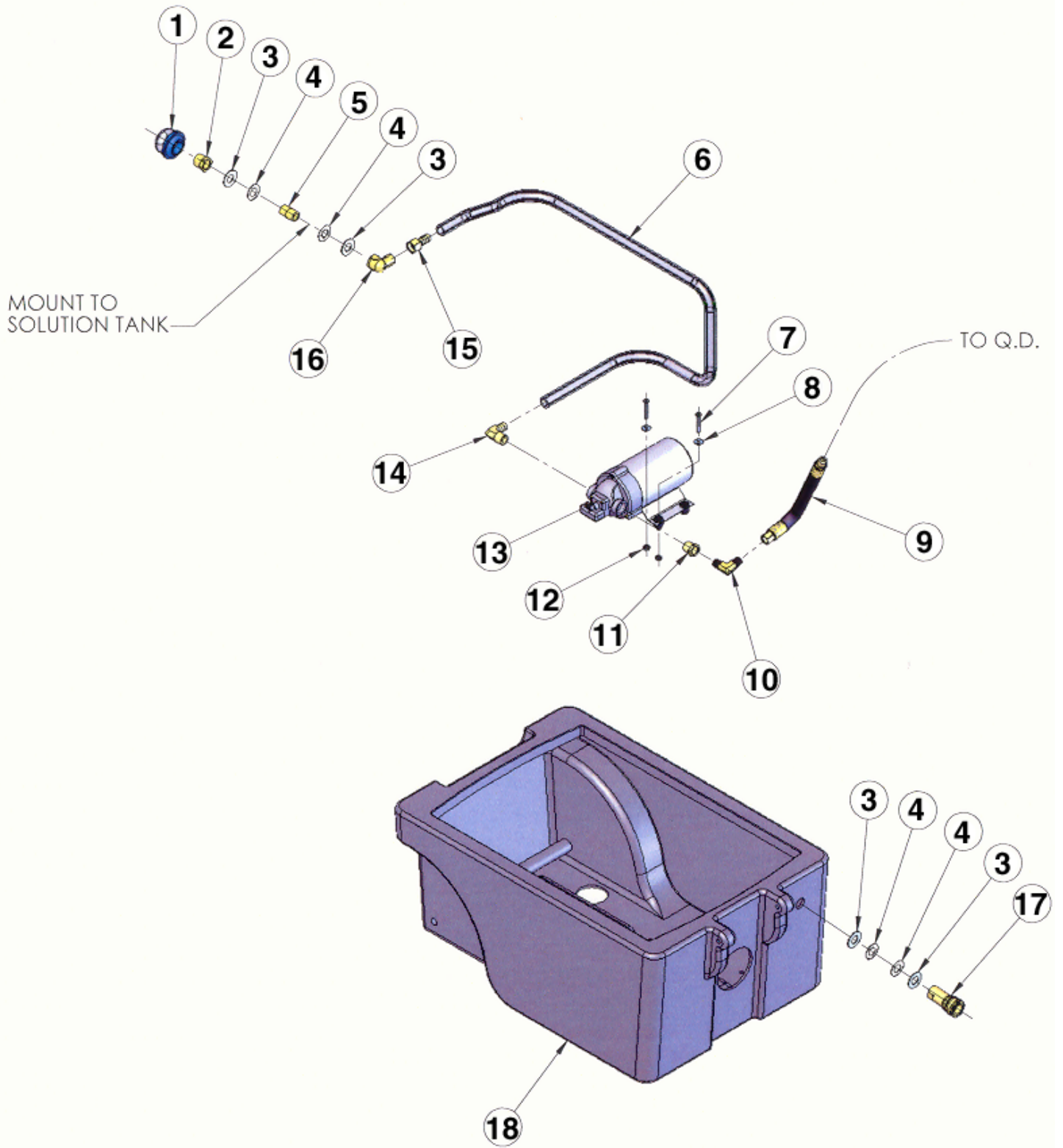


Please email [chicago@thevacshop.com](mailto:chicago@thevacshop.com) for part prices

## **SC6080**

- |     |          |   |
|-----|----------|---|
| 1.  | P734N    | LID, VACUUM TANK (FOR REPLACEMENT ONLY)     |
| 2.  | G005     | GASKET, VACUUM TANK LID                     |
| 3.  | P755     | ELBOW FOR FLOAT ASSEMBLY                    |
| 4.  | H235     | FLOAT CAGE                                  |
| 5.  | PH633-11 | PIPE, PVC, 1-1/2" X 11" LG.                 |
| 6.  | H244     | ADAPTER, PVC, 1-1/2"                        |
| 7.  | P801     | TANK, VACUUM (9-GALLON)                     |
| 8.  | H243     | ELBOW, PVC, 90 DEG, 1-1/2" SLIP X 1-1/2" FT |
| 9.  | G001     | GASKET, INLET, 1-1/2"                       |
| 10. | H229     | INLET FITTING, PVC, GRAY, 1-1/2"            |
| 11. | H225     | DRAIN VALVE, 1-1/2"                         |
| 12. | H226     | DRAIN SPOUT, 45 DEG.                        |

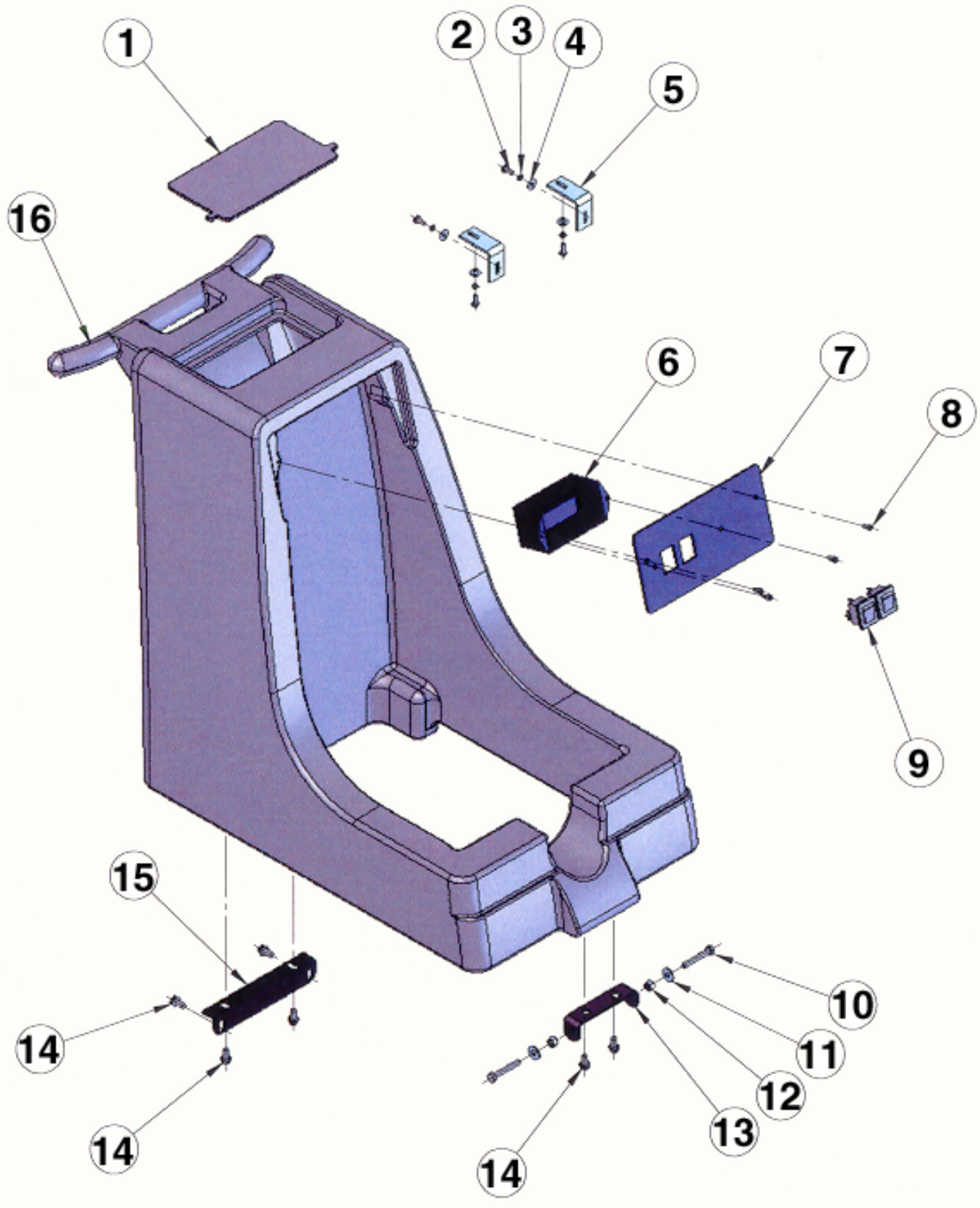
Please email [chicago@thevacshop.com](mailto:chicago@thevacshop.com) for part prices



Please email [chicago@thevacshop.com](mailto:chicago@thevacshop.com) for part prices

## SC6080

1.	B119A	FILTER STRAINER, 1/2"
2.	B210	BUSHING, 1/2m X 3/8fm
3.	H212	WASHER, 9/16" ID
4.	H413	WASHER, NYLON
5.	B216	NIPPLE, 3/8" CLOSE
6.	PH615-48	HOSE, 1/2" KURITEK X 48" LG.
7.	H222	#10-32 X 1-1/4" LG. PHIL. PAN HD. SCREW
8.	H289	WASHER, FLAT. #10
9.	AH105A	HOSE, 3/8" SURGE X 15-3/4" LG. (W/ 1/4" M-FMSW)
10.	B136	90 DEG 1/4" M X M
11.	B105	REDUCER, 3/8" M X 1/4" FM
12.	H273	KEP-NUT, #10-32
13.	C370	PUMP, 150 psi, W/BYPASS DEMAND
14.	B172	90 DEG 1/2" B X 3/8" MP
15.	B160	FITTING, 1/2 BARB X 3/8 FM SWIVEL
16.	B186	ELBOW, 90 DEG. 3/8" M X FM
17.	B102	QUICK DISCONNECT, 1/4" FEMALE
18.	P799	BASE (9-GALLON)



Please email [chicago@thevacshop.com](mailto:chicago@thevacshop.com) for part prices



## **SC6080**

1.	P800 (COVER)	COVER (SUPPLIED WITH SOLUTION TANK)
2.	H230	SCREW, #10-32 X 1/2" LG. PHIL. PAN HD.
3.	H877	#10 LOCK WASHER
4.	H289	WASHER, FLAT, #10
5.	H320	"L" BRACKET
6.	H437	BOX, ELECTRICAL ENCLOSURE
7.	H901	SWITCH PLATE, 2-HOLE
8.	H246	SCREW, #8-32 X 3/8" LG. SOCKET HD. CAP
9.	E515	SWITCH, 2 POSITION ROCKER
10.	H204	BOLT, 1/4-20 X 1-3/4" LG. HEX HEAD
11.	H210	WASHER, FLAT, 1/4"
12.	H216	LOCKNUT, 1/4-20
13.	H379	BRACKET, FRONT HINGE
14.	H770	BOLT, 1/4-20 X 1/2" LG. SERRATED FLANGE
15.	H896	LATCH BRACKET
16.	P800	TANK, SOLUTION (9-GALLON)



## **SC6080 -- Optional Items**

- |    |      |   |
|----|------|---|
| 1. | SC80 | INCLUDES: WAND, 12" S/S SINGLE BEND (8350) AND 15' VAC/SOL HOSE ASSEMBLY (8500) |
| 2. | SC81 | 8' ACCESSORY HOSE WITH 3" METAL NOZZLE  |

Please email [chicago@thevacshop.com](mailto:chicago@thevacshop.com) for part prices