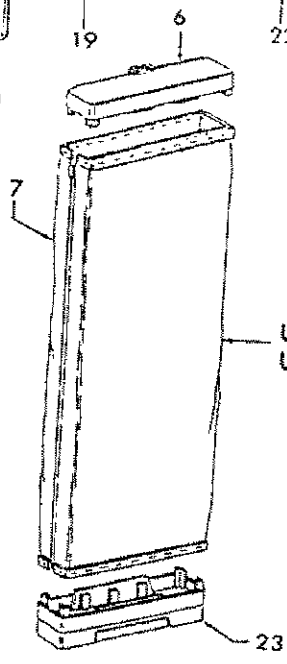
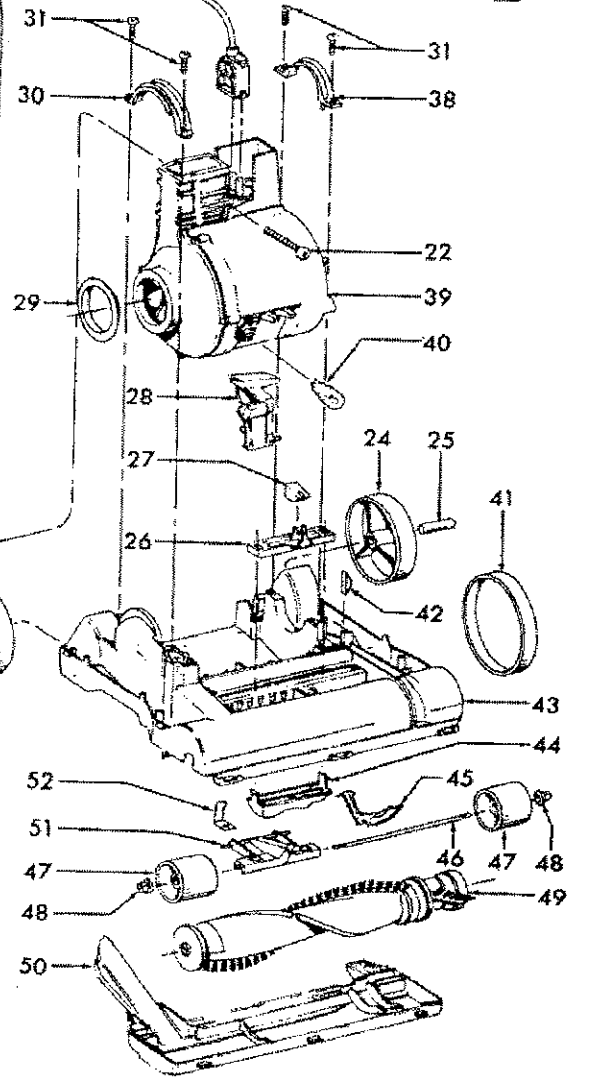
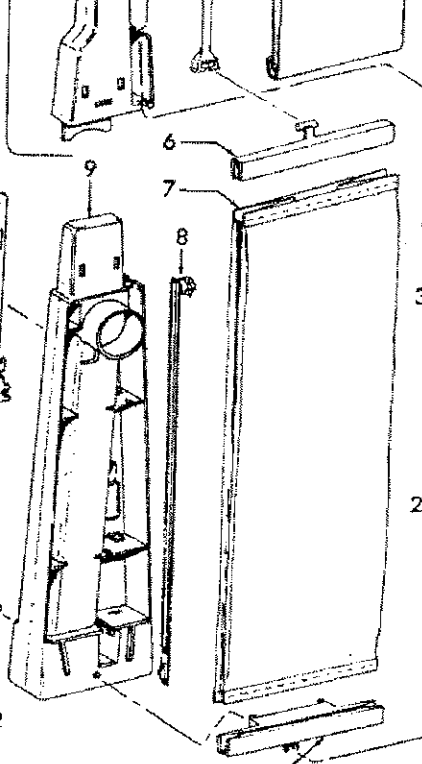
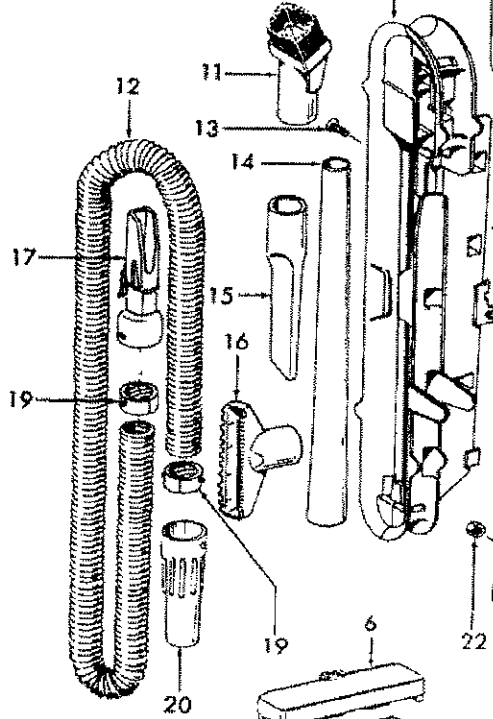
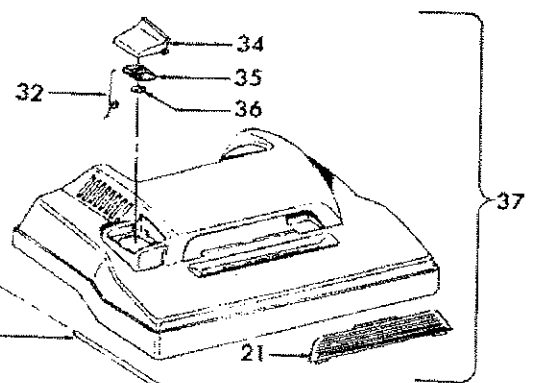
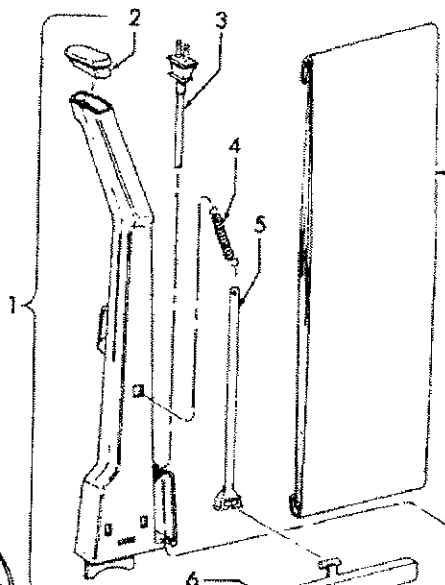


USED ON LATE MODEL
U4709-910



USED ON LATE MODEL
U4709-910

Model Number: U4617920
BOM/Serial #: U4617920
Graphic Title: MAINBODY, HANDLE, OUTERBAG

Image	Key	Part Number	Description	Substitution	Qty.
1	1	48663142	UPPER HANDLE ASSM -		1
1	1	48663141	UPPER HANDLE ASSEM-M		1
1	2	37911079	HANDLE CAP - ABE		1
1	3	46388027	ATTACH. CORD		1
1	4	38335020	BAG STRAP SPRING - A		1
1	5	36425071	BAG STRAP-ABE		1
1	5	36425072	BAG STRAP-ABE-U4717-		1
1	6	36425064	JACKET SUP-UPPER-ABE		1
1	6	36425067	JACKET SUPPORT-UPPER		1
1	7	43686177	OUTER BAG-ABB-U4617-		1
1	7	43675182	OUTER JACKET-U4253-9		1
1	7	43686144	JACKET ASSEMBLY COMP		1
1	7	43686178	OUTER BAG-ABM-U4715-		1
1	7	43686189	OUTER BAG-NAA-U4717-		1
1	7	43686141	OUTER BAG-AAY-U4709-		1
1	8	38456036	SWITCH CONTROL ROD		1
1	9	39464005	LOWER HANDLE - ABE	90001263	1
1	10	41426086	TOOL HOLDER-ABE-STAN		1
1	11	43414145	DUSTING BRUSH		1
1	12	43434232	HOSE COMP - ABX/AG C		1
1	13	21447220	SCREW-U4581-910		1
1	14	38634078	EXTENSION TUBE-AG		1
1	15	38617024	CREVICE TOOL - AG		1
1	16	38614029	FURNITURE NOZZLE-AG		1
1	17	38656035	HOSE CONNECTOR-AG		1
1	18	-----	NOT REQUIRED PART OR SEE NOTE		1
1	19	36116014	HOSE CONNECTOR COLLAR		1
1	20	32288011	HOSE ADAPTER-AG		1
1	21	39383098	DIRT FINDER LENS-KC-		1
1	21	39383099	DIRT FINDER LENS - K		1
1	22	40201085	NUT & BOLT ASSEMBLY-		1
1	23	36425063	JACKET SUPPORT-LOWER		1
1	23	36425068	JACKET SUPPORT-LOWER		1
1	24	38522011	WHEEL REAR - AG		1
1	25	31523012	REAR WHEEL SHAFT		1

Image	Key	Part Number	Description	Substitution	Qty.
1	26	38567008	CAM ACTUATOR-KE-U445		1
1	27	38421070	INDICATOR KNOB-ABE-U		1
1	28	38458022	HANDLE RELEASE LEVER		1
1	29	38784016	SEAL - U4455		1
1	30	36131057	MOTOR RETAINER CAP -		1
1	31	21447217	SCREW-SELF TAPPING		1
1	32	38351013	SPRING - ELITE II		1
1	33	4010001A	TOP FILL UPR BAG - 3-PK		1
1	34	37257019	DOOR ASSEM - NAA - U		1
1	34	37257018	DOOR ASSEM - U4617/8		1
1	34	37257027	DOOR ASSEMBLY-AAU-U4		1
1	35	38785011	SEAL - ELITE II		1
1	36	21362006	SPEED NUT		1
1	37	42252338	HOOD ASSEM.-ABB-U461		1
1	37	42252320	HOOD ASSEMBLY-ABB-U4		1
1	37	42252294	HOOD ASSEM-U4709-910		1
1	37	42252341	HOOD ASSEM-NAA-U4715		1
1	37	42252350	HOOD ASSM-ABB-U4617-		1
1	37	42252359	HOOD ASSM-NAA - U471		1
1	37	42252295	HOOD ASSEMBLY-ABE-U4		1
1	38	36131090	MOTOR RETAINER		1
1	39	43576142	MOTOR COMPLETE W/HL	43576211	1
1	40	27313101	LAMP		1
1	41	38528027	BELT-ELITE	38528040	1
1	42	13261AY-	RIB SHOE	013261AY	1
1	43	42243002	MAIN BODY ASSM-ELITE	12002573	1
1	43	42243001	MAIN BODY ASSEM-ELIT	12002690	1
1	44	38563011	NOZZLE HEIGHT ADJUST		1
1	45	38452089	LEVER	43248059	1
1	46	32563012	WHEEL SHAFT - AY - U		1
1	47	43248059	FRONT WHEEL ASSY-AG/ABE		1
1	48	36131056	WHEEL RETAINER - BZ		1
1	49	48414081	AGITATOR-COMplete-AG		1
1	49	48414079	AGITATOR-AG		1
1	50	37245106	BOTTOM PLATE -AG		1
1	51	43248054	FRONT WHEEL ASSEMBLY	43248059	1
1	52	34572002	CAM ACTUATOR SPRING-		1
1	53	56511395	OWNER MANUAL-U4617/4		1

Image	Key	Part Number	Description	Substitution	Qty.
1	53	3944201P	CORD WRAP		1
1	53	58385019	CARTON SUPPORT-U4617		1
1	53	56511352	OWNER MANUAL-U4657		1