

CAP AND CAP COVER ASSEMBLY

- RX-R4364 Cap & Cap Cover Assy, w/o baffle
- 1 RX-R4297 Handle Applique Top
- 2 RX-R4342 Cap Cover Assy, includes handle pad, handle applique (top and side)
- 3 RX-R2584 Handle Pad
- 4 RX-R4369 Cap Assy, includes cap applique
- 5 RX-H515 Screw, plastic
- 6 RX-R3127 Switch, snap-in
- 7 RX-R2722 Handle Applique, side
- 8 RX-R5403 Cap Applique, fits all models
- 8 RX-R4323 Cap Applique, for caps made before 6/93
- 9 RX-R4373 Outer Baffle Assembly

MAIN HOUSING & WATER PAN ASSEMBLY

- 1 RX-R2582 Motor Shroud
- 2 RX-H556 Screw, plastic
- 3 RX-R2172 Clamp Ring Segment
- 4 RX-R2585 Clamp Ring Segment
- 5 RX-R2701 Motor Support Ring
- 6 RX-R2607 Strain Relief Clip
- 7 RX-R4148 "O" Ring, for closure cover
- 8 RX-R3845 Closure Cover Assy, incl. applique & "O" ring
- 9 RX-R2772 Applique, closure cover
- 10 RX-R4052 Cord
- 11 RX-R2605 Strain Relief Support
- 12 RX-H515 Screw, main housing to cap
- 13 RX-R5080 Baffle Plate Assy
- 14 RX-R2702 Motor Gasket
- 15 RX-R2380 Cable Tie
- 16 RX-R3184 Power Nozzle Receptacle
- 17 RX-R4230 Main Housing Sub-Assembly
- 18 RX-R4201 Applique, main housing
- 19 RX-R6178 Latch Assy, w/o applique, after & including S.N. 8000000
- 19 RX-R4228 Latch Assy, w/ applique, up to S.N. 8000000
- 20 RX-R4203 Applique, latch, up to S.N. 8000000
- 21 RX-R2654 Latch Spring
- 22 RX-R1566 Latch Pin
- 23 RX-H491 Screw, plastic
- 24 RX-R2809 Water Pan Assy

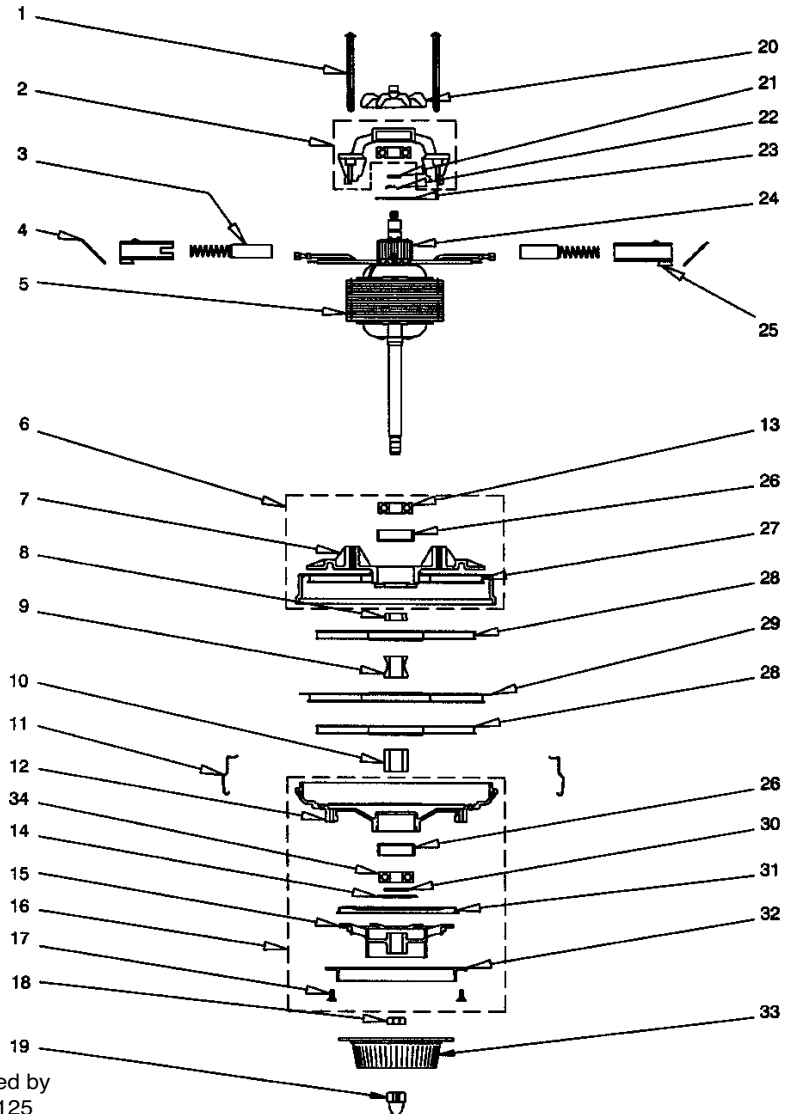
If you have any questions or cannot locate a part or price please email

Sales@vacshopusa.com

VACSHOPUSA.COM

MOTOR ASSEMBLY

- RX-R3242 Motor Assy
- 1 RX-H545 Screw, plastic
- 2 RX-R2677 Bearing Bridge Assy
- 3* RX-R5125 Carbon Brush
- 3 RX-R2421 Carbon Brush, up to S.N. 7520714
- 4 RX-R2703 Brush Holder Clip
- 5 RX-R3159 Field Assy
- 6 RX-R2773 Motor Base & Bearing Assy
- 7 RX-R2636 Motor Base Assy
- 8 RX-R2680 Fan Spacer, top
- 9 RX-R2681 Fan Spacer, middle
- 10 RX-R2679 Fan Spacer, lower
- 11 RX-R2682 Stage Housing Clip
- 12 RX-R2774 Lower Housing & Inner Baffle Plate Assy
- 13 RX-R1981 Ball Bearing
- 14 RX-R2630 Bearing Retainer Shield
- 15 RX-R4101 Spider
- 16 RX-R4612 Lower Housing Assy
- 17 RX-H542 Screw
- 18 RX-H426 Nut, armature shaft
- 19 RX-H555 Separator Nut, flat
- 20 RX-R3277 Fan, motor
- 21 RX-R2936 "O" Ring
- 22 RX-R2525 Wave Washer
- 23 RX-R2946 Insulator Washer
- 24* RX-R5319 Armature Assy
- 25* RX-R5124 Brush Holder
- 25 RX-R2700 Brush Holder, up to S.N. 7520714
- 26 RX-R1987 Bearing Boot
- 27 RX-R2613 Upper Stage Assy
- 28 RX-R2609 Fan Assy
- 29 RX-R2617 Lower Stage Assy
- 30 RX-R1979 Slinger Ring
- 31 RX-R2698 Outer Baffle Plate
- 32 RX-R747 Motor Gasket Flange
- 33 RX-R4100 Separator
- 34 RX-R5238 Ball Bearing



* Effective 3/29/93, RX-R2598 Armature is obsolete and is replaced by RX-R5319 Armature. RX-R5124 Tall Brush Holder and RX-R5125 Tall Carbon Brushes are not to be used with RX-R2598 Armature. RX-R2677 Bearing Bridge Assy produced after 9/92 will accept RX-R5124 Tall Brush Holders and RX-R5125 Tall Carbon Brushes.

ATTACHMENTS & OPTIONAL EQUIPMENT

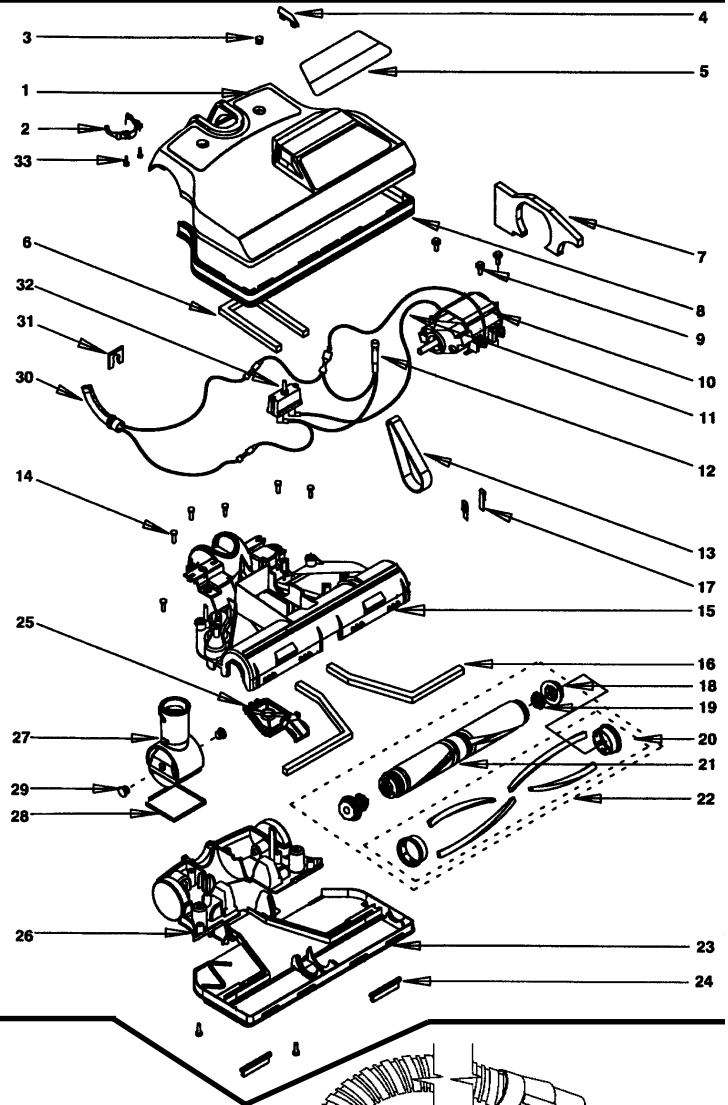
- RX-R933 Straight Wand
- RX-R2807 Curved Wand
- RX-R2792 Suction Control Sleeve
- RX-R934 Bottom Wand
- RX-R4530 Floor Tool Assembly
- RX-R4659 Body w/ Logo Only, floor tool
- RX-R2540 Bristles, floor tool
- RX-R2816 Guard, floor tool
- RX-R2556 Crevice Tool
- RX-R2519 Dusting Brush Assy
- RX-R192 Bristles, dusting brush
- RX-R3076 Body w/ Logo Only, dusting brush
- RX-R2535 Upholstery Tool Assy
- RX-R2537 Brush, upholstery tool
- RX-R3079 Body w/ Logo Only, upholstery tool
- RX-R4142 Coil Cleaner

- RX-R3358 Inflator Tool Assy
- RX-R2709 Attachment Caddy
- RX-R3816 Pin, caddy swivel arm
- RX-H564 Spring, caddy swivel arm
- RX-H565 E-Ring, caddy swivel arm
- RX-R4717 Hose Assembly, 9-yarn
- RX-R4716 Hose, w/ molded tip
- RX-R2784 Hose Coupling Assy
- RX-R579 Hose Tip Only
- RX-R4176 Non-Wettable Adaptor Assy, w/ instruction sheet
- RX-R841 Separator Brush
- RX-R4140 Dolly, w/o casters, no applique, after S.N. 8000000
- RX-R4560 Dolly, w/o casters, w/ applique, up to S.N. 8000000
- RX-R4149 Caster, sold each
- RX-R4204 Applique, dolly, for use w/ RX-R4560

"PERFORMANCE EDITION" POWER NOZZLE

Model: R-5825, beginning serial number 6000000

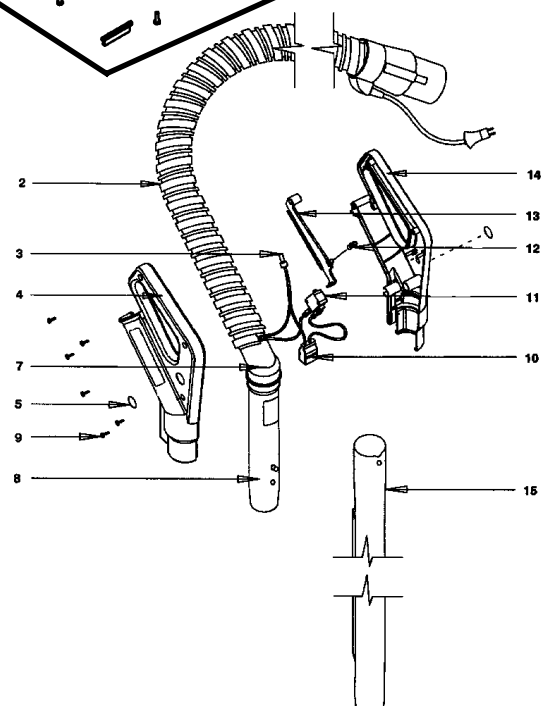
- 1 RX-R6061 Cover Assy, complete
- 2 RX-R5836 Upright Lock Clip
- 3 RX-R5659 Lens, pilot light
- 4 RX-R5650 Lens, belt viewing
- 5 RX-R5837 Applique
- 6 RX-R2003 Motor Seal Gasket
- 7 RX-R5834 Air Barrier
- 8 RX-R5649 Bumper
- 9 RX-H571 Screw
- 10 RX-R5670 Motor Assy, complete
- 11 RX-R5672 Lead Assy, motor
- 12 RX-R5654 Pilot Light / Harness Assy
- 13 RX-R1699 Belt, sold each
- 14 RX-H556 Screw
- 15 RX-R6058 Manifold Assy, complete
- 16 RX-R5833 Airpath Gasket
- 17 RX-R5614 Belt Guard
- 18 RX-R5593 Bearing Retainer
- 19 RX-R5592 Bearing Boot
- 20 RX-R6063 Bristle Strip Kit, 4 bristle strips / 2 thread guards
- 21 RX-R6062 Brush Roll Only, w/ bearings and studs
- 22 RX-R5590 Brush Roll, complete
- 23 RX-R6059 Bottom Plate Assy, front
- 24 RX-R5839 Brush Strip, for bottom plate front
- 25 RX-R5820 Belt Cover
- 26 RX-R6057 Rear Bottom Plate Assy, w/ wheels
- 27 RX-R6060 Pivot Arm Assy, w/ gasket
- 28 RX-R5835 Pivot Arm Gasket
- 29 RX-R5652 Clevis Pin
- 30 RX-R5653 Power Nozzle Cord
- 31 RX-R2605 Strain Relief Support
- 32 RX-R5612 Circuit Breaker, 2.5 amp
- 33 RX-H566 Screw
- RX-R6575 Brush Roll (SOFT), unstiffened bristle/beater
- RX-R6573 Brush Strip, soft brush roll
- RX-R6574 Kit, brush roll/thread guard/beater kit (soft)



"PERFORMANCE EDITION" POWER NOZZLE

Model: R-5825, beginning serial number 6000000

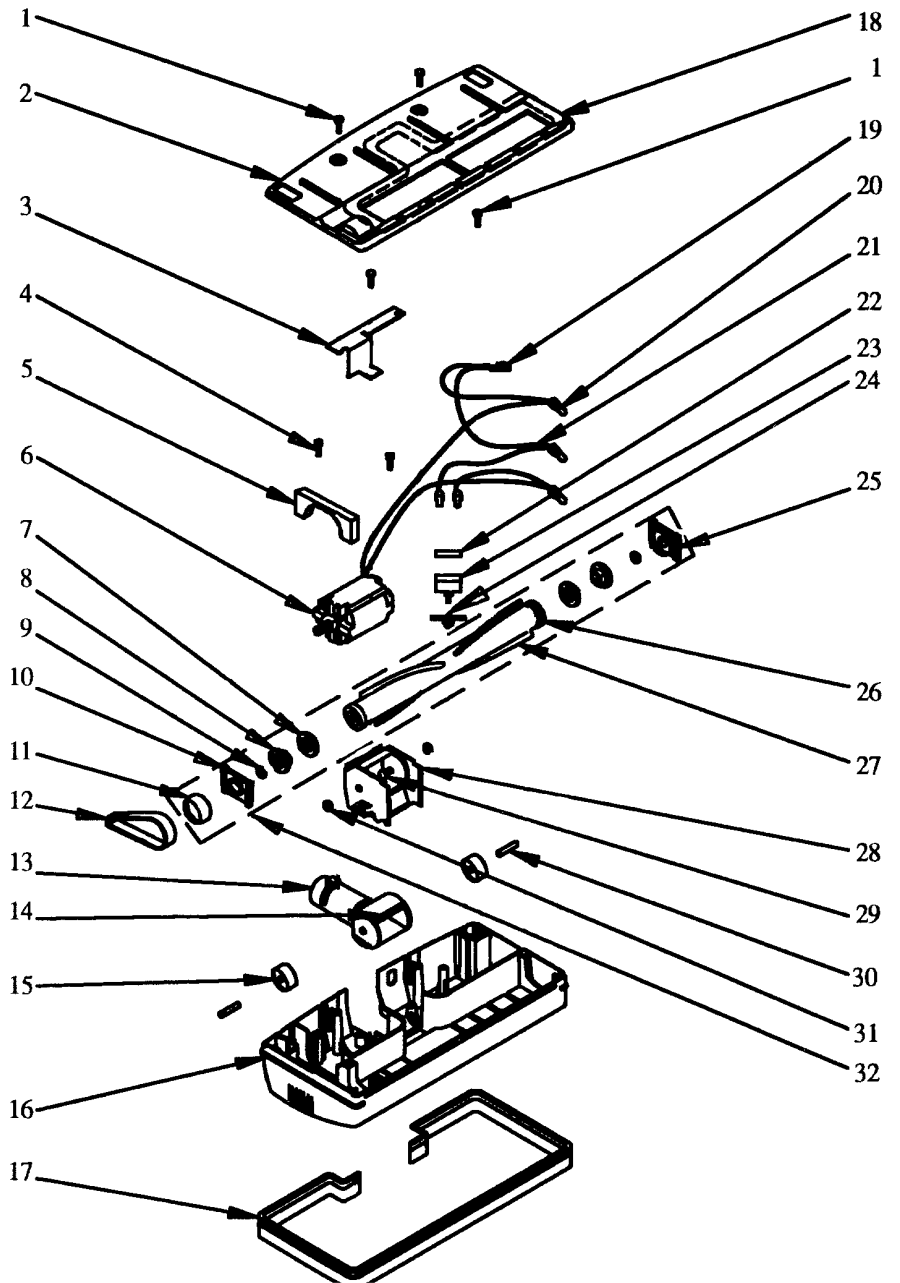
- 1 RX-R5826 Electrified Hose & Handle Assy, complete
- 2 RX-R6055 Electrified Hose, w/ terminal
- 3 RX-R1775 Closed End Splice
- 4 RX-R5823 R.H. Handle Assy, w/ logo & warning label
- 5 RX-R2521 Rexair Logo
- RX-R4294 Warning Label
- 6 RX-R5832 Insert & Wand Assy, w/ p/n top handle assy and handle insert
- 7 RX-R4112 Handle Insert
- 8 RX-R5668 P/N Top Handle Wand Assy
- 9 RX-H566 Screw
- 10 RX-R6213 Receptacle
- 11 RX-R5295 Handle Switch, hose
- 12 RX-R5967 Actuator Spring
- 13 RX-R5975 Switch Actuator
- 14 RX-R5824 L.H. Handle Assy, w/ logo & warning label
- 15 RX-R5661 Straight Wand Assy
- RX-R3520 Cord Guide Replacement Kit



POWER NOZZLE

Model: R-4375C, beginning serial number 5000000

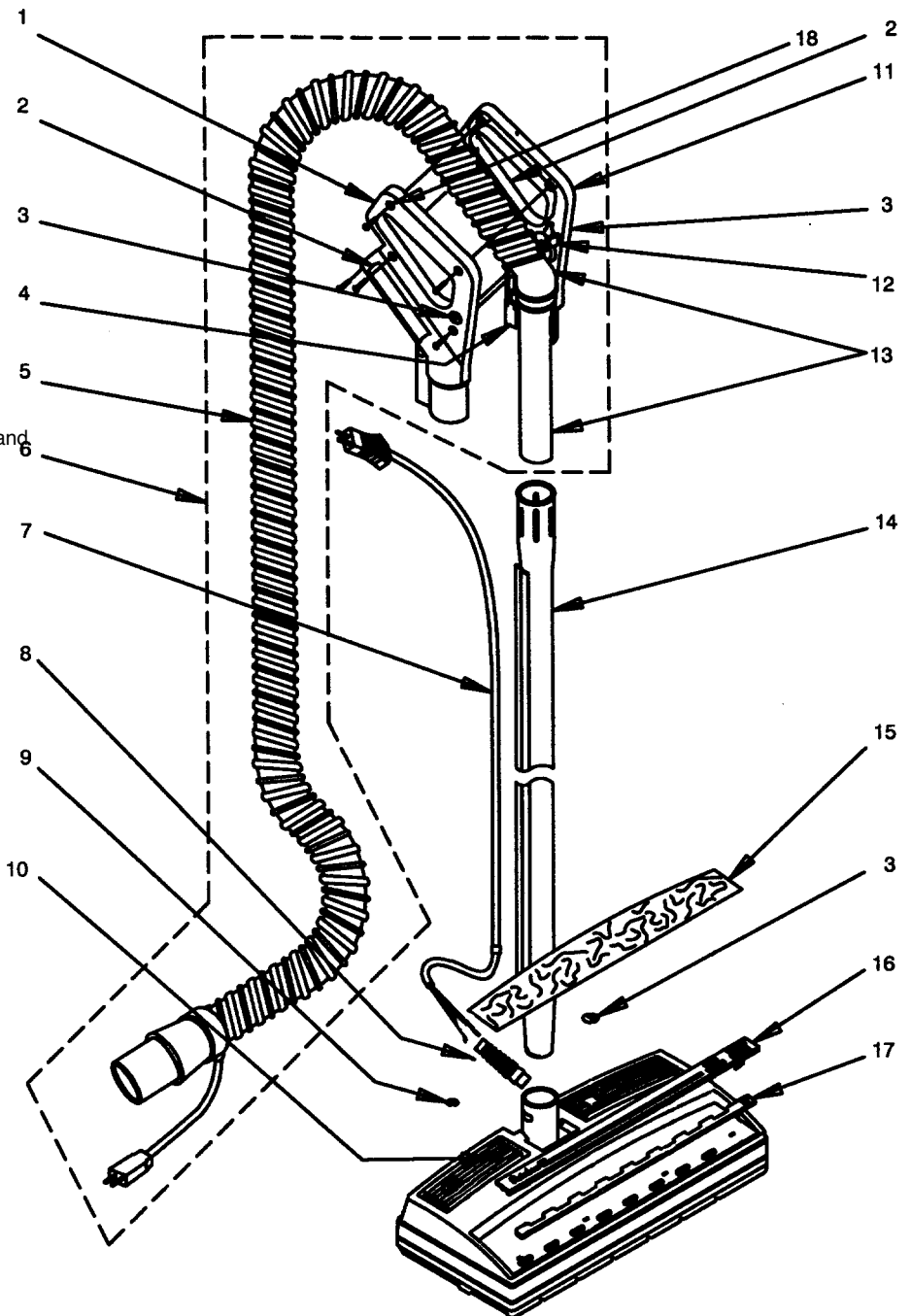
- 1 RX-H515 Screw
- 2 RX-R2004 Bottom Plate Assy
- 3 RX-R1997 Insulator
- 4 RX-H552 Screw
- 5 RX-R1813 Air Barrier
- 6 RX-R1871 Motor Assy
 - RX-R4662 Carbon Brush, p/n motor
 - RX-R4663 Rear Bearing, p/n motor
 - RX-R3550 Sleeve Assy, p/n motor
- 7 RX-R1692 Seal, brush assy
- 8 RX-R1691 Keeper, brush assy
- 9 RX-R1698 Thrust Washer
- 10 RX-R2443 End Cap
- 11 RX-R3472 Power Nozzle Pulley Assy
- 12 RX-R1699 Belt, sold each
- 13 RX-R2801 Pivot Arm Assy
 - RX-R3300 Pivot Arm & Housing Assy
- 14 RX-R2069 Felt Pad
- 15 RX-R1703 Wheel, p/n
- 16 RX-R4989 Main Housing Assy
- 17 RX-R2795 Bumper
- 18 RX-R2003 Gasket, bottom plate
- 19 RX-R1818 Pilot Light Assy
- 20 RX-R1775 Closed End Splice
- 21 RX-R1754 Lead Assy
- 22 RX-R1780 Insulator, circuit breaker
- 23 RX-R4291 Circuit Breaker, 2 amp
- 24 RX-R4290 Adaptor Plate, circuit breaker
- 25 RX-R1744 Bearing Assy
- 26 RX-R1690 Brush Roll Only
- 27 RX-R1695 Beater Bar
- 28 RX-R2803 Pivot Housing
- 29 RX-R1996 Clevis Pin
- 30 RX-R1704 Wheel Pins, p/n
- 31 RX-H527 "E" Ring
- 32 RX-R1866 Brush Roll Assy, complete



POWER NOZZLE

Model: R-4375C, beginning serial number 5000000

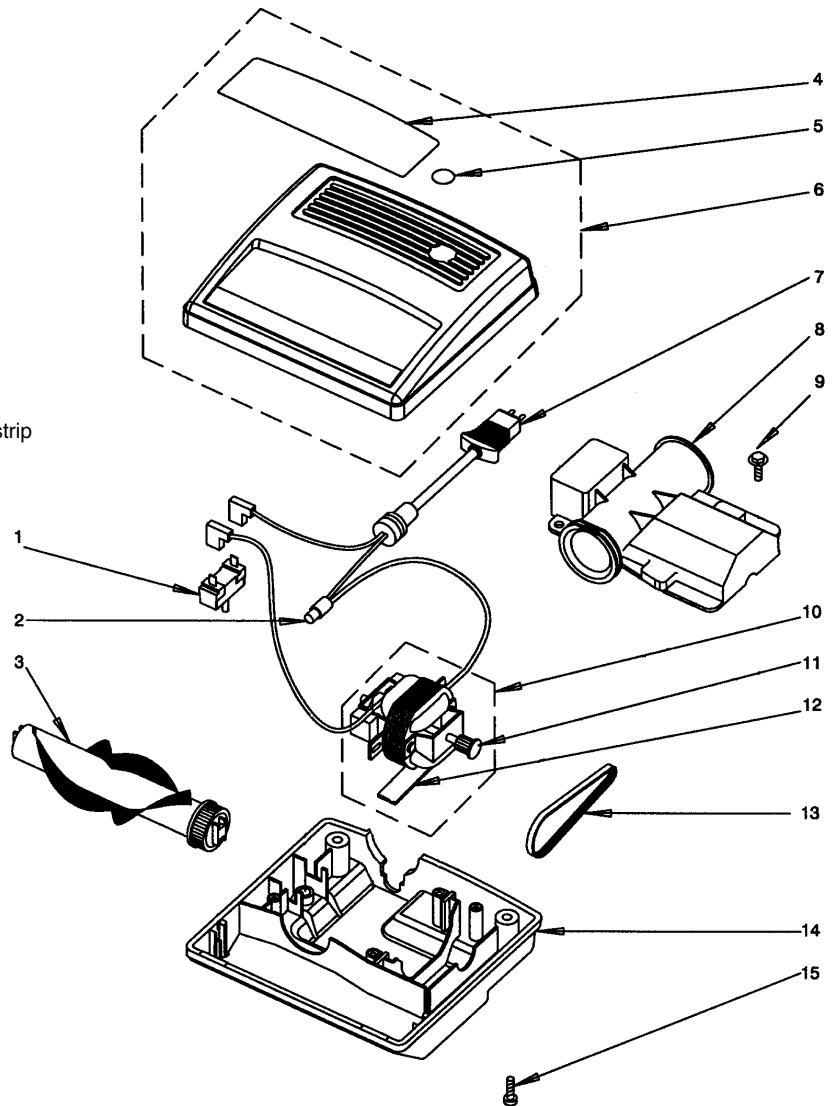
- 1 RX-R4295 R.H. Handle Assy, includes logo and warning label
- 2 RX-R4294 Warning Label
- 3 RX-R2521 Rexair Logo
- 4 RX-R4122 Receptacle
- 5 RX-R4090 Electrified Hose Assy
- 6 RX-R4147 Electrified Hose & Handle Assy
- 7 RX-R4121 Power Nozzle Cord
- 8 RX-R4053 Strain Relief Bushing
- 9 RX-H568 Nut, circuit breaker panel
- 10 RX-R1818 Pilot Light Assy
- 11 RX-R4296 L.H. Handle Assy, includes logo and warning label
- 12 RX-R1775 Closed End Splice
- 13 RX-R4109 Handle Insert Assy, includes handle insert & p/n handle wand
- RX-R4112 Handle Insert
- RX-R4113 P/N Handle Insert
- 14 RX-R5066 Straight Wand Assy
- 15 RX-R4200 Applique, power nozzle
- 16 RX-R4299 Slide Valve Guide Assy
- 17 RX-R1990 Slide Valve
- 18 RX-H566 Screw
- RX-R3520 Cord Guide Replacement Kit



" RAINBOWMATE" POWER NOZZLE

Model: RM-2, beginning serial number 0000001

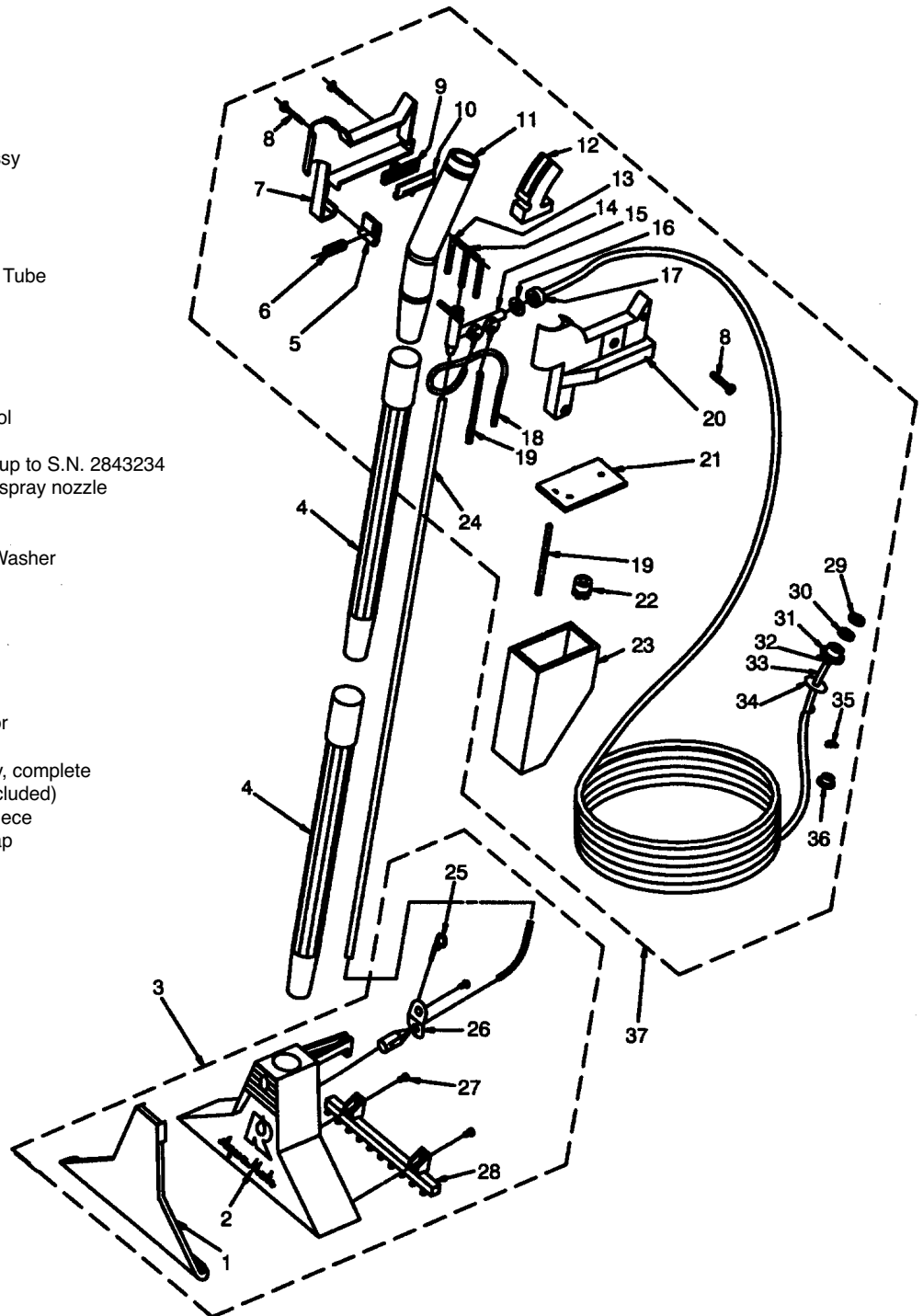
- 1 RX-R5421 Circuit Breaker, .80 amp
- 2 RX-R1775 Closed End Splice
- 3 RX-R4873 Brush Tube Assy
- 4 RX-R4896 Applique
- 5 RX-R2521 Rexair Logo
- 6 RX-R5323 Top Housing, includes applique,
logo, warning label
- RX-R4896 Applique
- RX-R2521 Rexair Logo
- RX-R5064 Warning Label
- 7 RX-R4889 Electric Cord
- 8 RX-R5236 Manifold Assy, includes warning label
- 9 RX-H571 Screw, w/ washer
- 10 RX-R4882 Motor Assy, includes pulley & insulator strip
- 11 RX-R4887 Motor Pulley
- 12 RX-R4885 Isolator Strip
- 13 RX-R4879 Belt, sold each
- 14 RX-R4893 Lower Housing Assy
- 15 RX-H556 Screw
- RX-R5064 Warning Label
- RX-R4886 Motor Boot, up to S.N. 0040996



"AQUAMATE" WATER EXTRACTION UNIT

Up to serial number 3000000

- 1 RX-R2269 Front Plate
- 2 RX-R3581 AquaMate Head Decal
- 3 RX-R2851 Extraction Head Assy, complete
- 4 RX-R2846 Straight Wand Assy
- 5 RX-R2322 Bottle Latch
- 6 RX-R2321 Latch Spring
- 7 RX-R4621 Right Housing Assy
- 8 RX-H537 Screw
- 9 RX-R2326 Slide Adjustment
- 10 RX-R2318 Pinch Arm
- 11 RX-R2849 Bent Arm Assy
- 12 RX-R2340 Trigger
- 13 RX-R2428 Spring, trigger
- 14 RX-R2571 Valve Control Rod Assy
- 15 RX-R2400 Fluid Control Assy
- 16 RX-R2401 "O" Ring
- 17 RX-R2402 Hose Connection
- 18 RX-R2602 Detergent Inlet Tube
- 19 RX-R2483 Overflow & Bottle Fill Tube
- 20 RX-R4622 Left Housing Assy
- 21 RX-R2317 Foam Gasket
- 22 RX-R2601 Flow Control
- 23 RX-R4620 Solution Bottle Assy
- 24 RX-R2026 40" Tube
- 25 RX-R2264 Nozzle Clean-Out Tool
- 26 RX-R5398 Plastic Spray Nozzle
- RX-R5398 Brass Spray Nozzle, up to S.N. 2843234
- RX-R2627 Support Plate, brass spray nozzle
- 27 RX-H491 Screw
- 28 RX-R2262 Brush Assy
- 29 RX-R2080 Long Adaptor Thick Washer
- 30 RX-R2044 Screen Washer
- 31 RX-R2466 Stern Nut
- 32 RX-R2040 Tubing Clamp
- 33 RX-R4651 50 ft Hose Assy
- RX-R4619 50 ft Hose (included)
- 34 RX-R2065 Anti-Drip Washer
- 35 RX-R2079 Washer, short adaptor
- 36 RX-R2045 Adaptor, short
- 37 RX-R4617 Control Network Assy, complete
- RX-R2469 Adaptor Package (included)
- RX-R2042 Swivel Stem, white piece
- RX-R2506 Vinyl Closure End Cap

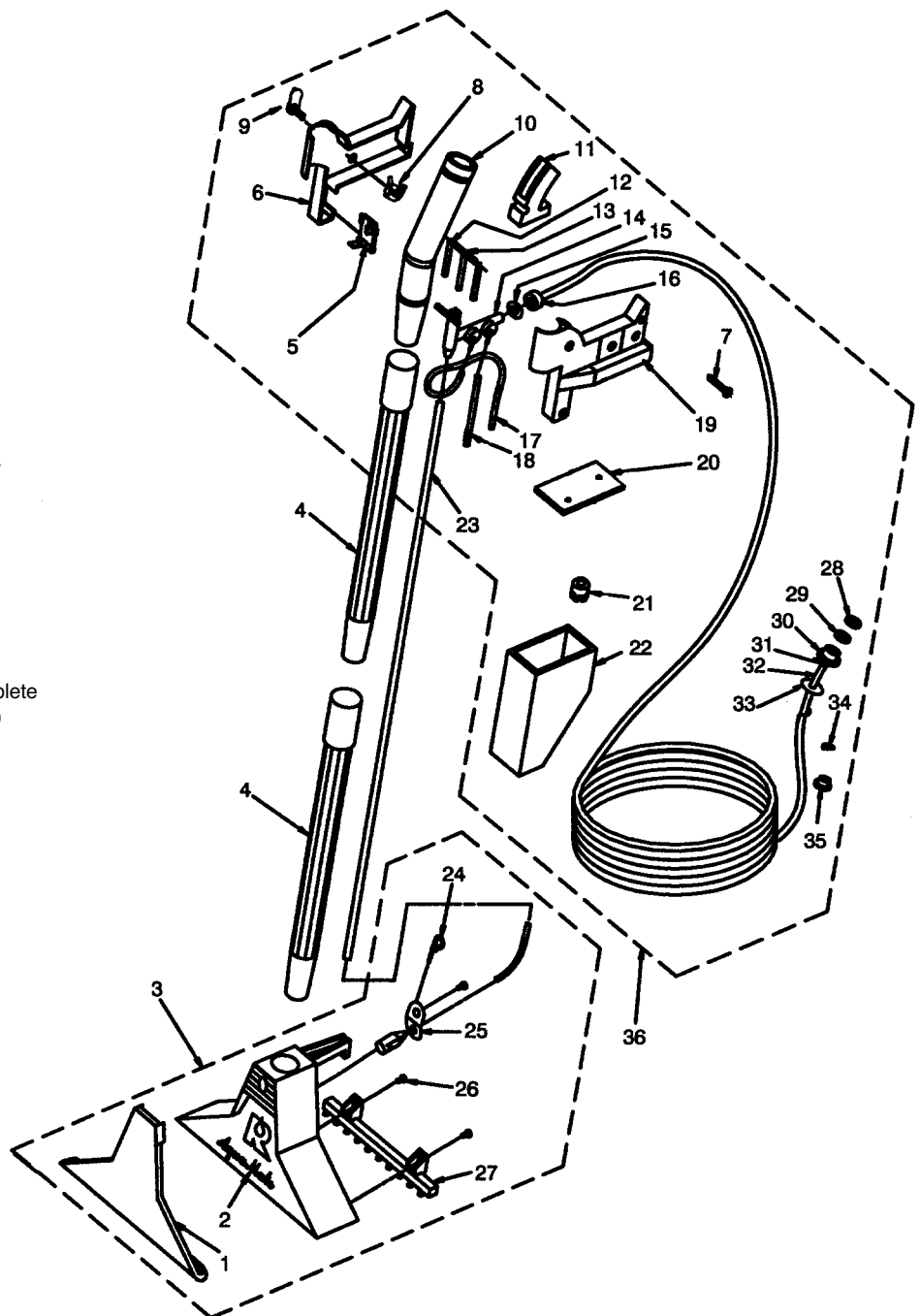


RX-R5426
Stainless Steel Wands, 2 used

"AQUAMATE" WATER EXTRACTION UNIT

Effective serial number 3000000

Ref	Item Number	Description
1	RX-R2269	Front Plate
2	RX-R3581	AquaMate Head Decal
3	RX-R2851	Extraction Head Assy, complete
4	RX-R2846	Straight Wand Assy
5	RX-R6142	Bottle Latch
6	RX-R6333	Right Housing Assy
7	RX-H566	Screw
8	RX-R6140	Cam Wash/Rinse
9	RX-R6141	Actuator
10	RX-R6145	Curved Wand Assy
11	RX-R2340	Trigger
12	RX-R2428	Spring, trigger
13	RX-R2571	Valve Control Rod Assy
14	RX-R2400	Fluid Control Assy
15	RX-R2401	"O" Ring
16	RX-R2402	Hose Connection
17	RX-R2602	Detergent Inlet Tube
18	RX-R2483	Overflow & Bottle Fill Tube
19	RX-R6334	Left Housing Assy
20	RX-R6144	Foam Gasket
21	RX-R2601	Flow Control
22	RX-R6260	Solution Bottle Assy
23	RX-R2026	40" Tube
24	RX-R2264	Nozzle Clean-Out Tool
25	RX-R5398	Plastic Spray Nozzle
26	RX-H491	Screw
27	RX-R2262	Brush Assy
28	RX-R2080	Long Adaptor Thick Washer
29	RX-R2044	Screen Washer
30	RX-R6138	Stern Nut
31	RX-R2040	Tubing Clamp
32	RX-R4651	50 ft Hose Assy
	RX-R4619	50 ft Hose (included)
33	RX-R2065	Anti-Drip Washer
34	RX-R2079	Washer, short adaptor
35	RX-R2045	Adaptor, short
36	RX-R4617	Control Network Assy, complete
	RX-R2469	Adaptor Package (included)
	RX-R2042	Swivel Stem, white piece
	RX-R6146	Vinyl Closure End Cap



RX-R5426
Stainless Steel Wands, 2 used